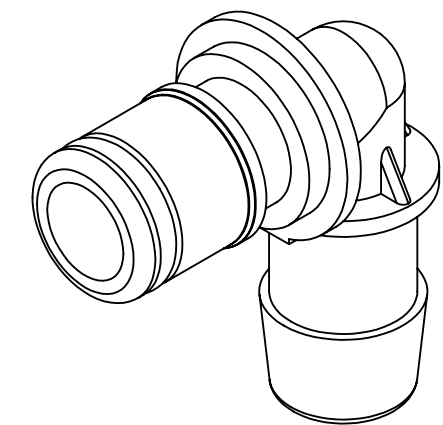
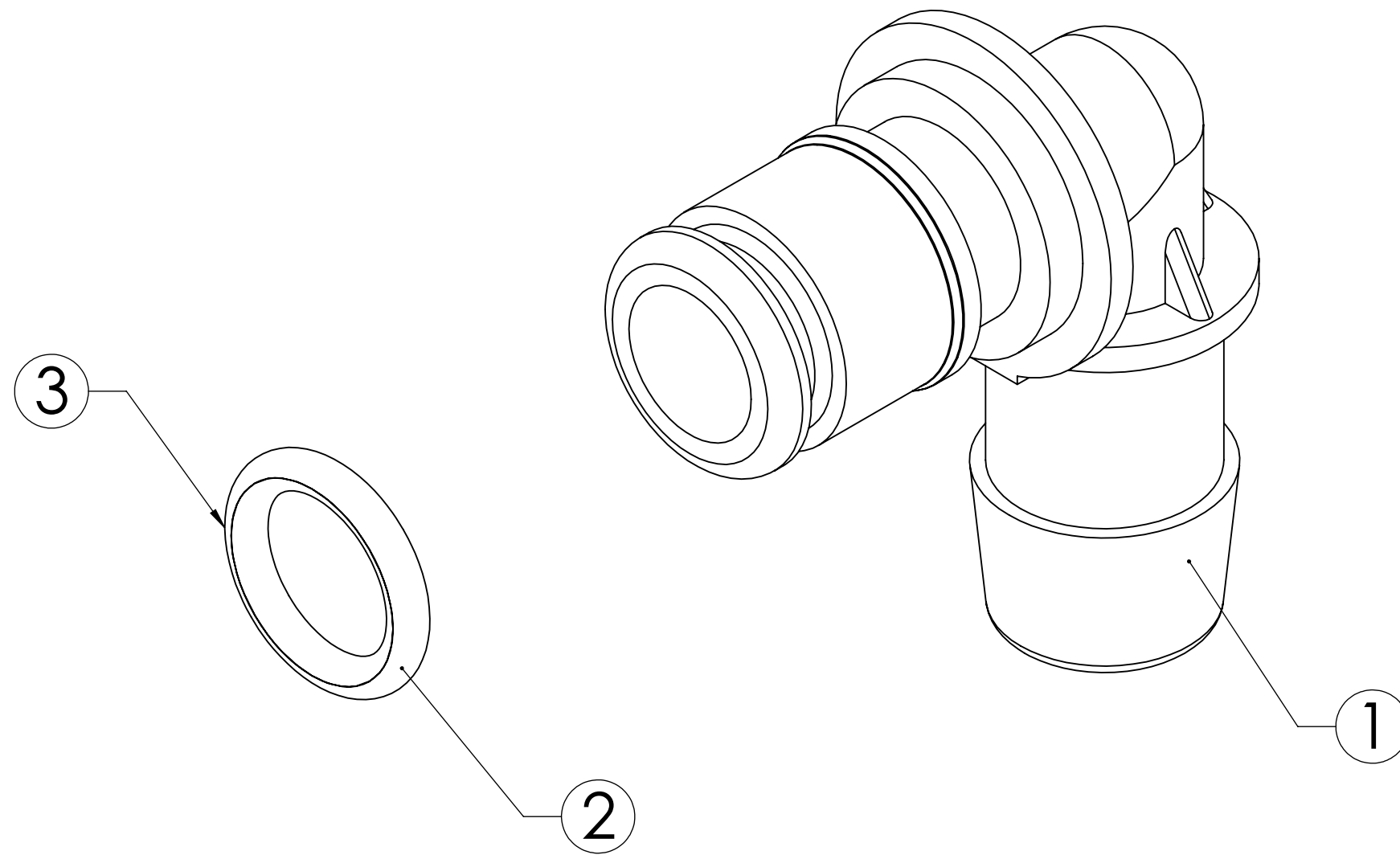


ITEM NO.	PART NUMBER	DESCRIPTION	QTY.
1	C512	PLUG ELBOW, GP, 3/8" HB, 50 SERIES	1
2	OE-011-NSF61	O-RING, FOOD GRADE EPDM, SIZE -011	1
3	LUBE-DCFG200	O-RING LUBRICATION DOW CORNING FOOD GRADE SILICONE OIL	AR

REVISIONS						
SHEET	ZONE	REV.	ECO	DESCRIPTION	DATE	APPROVED
1	ALL	A	50253	UPDATE DWG TO CURRENT FORMAT & STANDARDS	10/23/2018	HRC




NOTES:

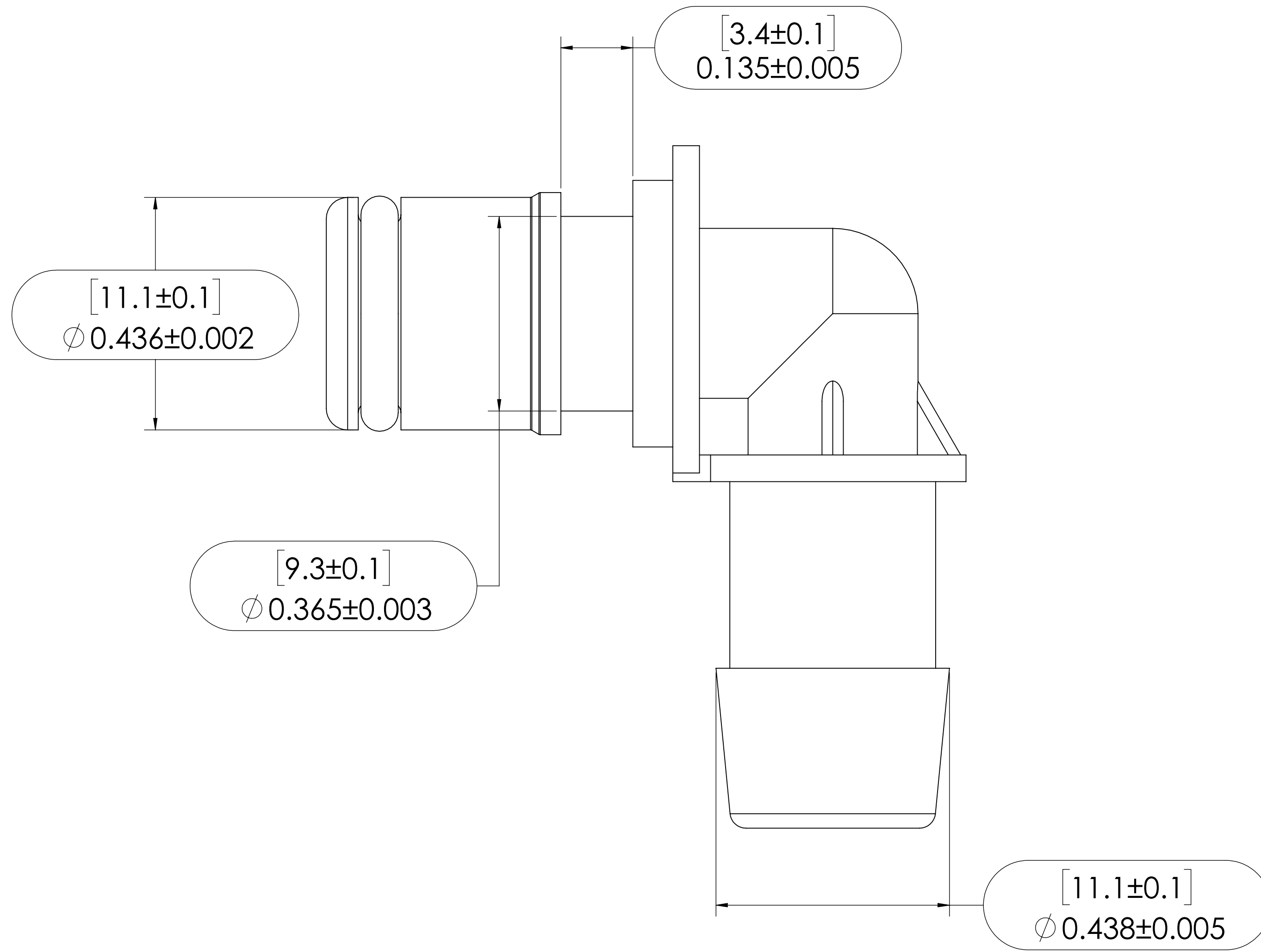
1. MATERIAL: GLASS-FILLED POLYPROPYLENE
2. COLOR: NATURAL WHITE
3. O-RING MATERIAL: FOOD GRADE EPDM
4. O-RINGS LUBRICATED WITH FOOD GRADE SILICONE OIL, 350 CST.




Arbel Agencies LTD.

11 Ba'alei Hamelacha st. Qiryat Bialik P.O.B 1095, ZIP 2751311, ISRAEL
+972(0)48736969 ☎ +972(0)48730708 📠 info@arbel-ltd.com ✉

<small>UNLESS OTHERWISE SPECIFIED: DIMENSIONS ARE IN INCHES TOLERANCES: FRACTIONAL ± 1/32 ANGULAR: MACH ± 0.5 BEND ± 2 ONE PLACE DECIMAL ± 0.1 TWO PLACE DECIMAL ± 0.01 THREE PLACE DECIMAL ± 0.005 TWO PLACE DUAL (mm) [± 0.12]</small>	DRAWN	LMP	4/30/2018	 PART NO: 50GP-PF7-06 DESCRIPTION: LinkTech 50GP Series Elbow Plug, Non-Valved, 3/8" HB, Glass-Filled Polypropylene									
	CHECKED	HRC	4/30/2018										
	ENG APPR.	HRC	10/23/18										
	MFG APPR.	BDB	10/23/18										
PRODUCTION	LS	10/23/18	COMMENTS:										
<small>PROPRIETARY AND CONFIDENTIAL THE INFORMATION CONTAINED IN THIS DRAWING IS THE SOLE PROPERTY OF LINKTECH LLC. ANY REPRODUCTION OR DISCLOSURE IN PART OR AS A WHOLE WITHOUT THE WRITTEN PERMISSION OF LINKTECH LLC IS STRICTLY PROHIBITED.</small>				<table border="1"> <tr> <td>SIZE</td> <td>DWG. NO.</td> <td>REV</td> </tr> <tr> <td>C</td> <td>50GP500032</td> <td>A</td> </tr> <tr> <td>SCALE: NTS</td> <td>WEIGHT:</td> <td>SHEET 1 OF 2</td> </tr> </table>	SIZE	DWG. NO.	REV	C	50GP500032	A	SCALE: NTS	WEIGHT:	SHEET 1 OF 2
SIZE	DWG. NO.	REV											
C	50GP500032	A											
SCALE: NTS	WEIGHT:	SHEET 1 OF 2											

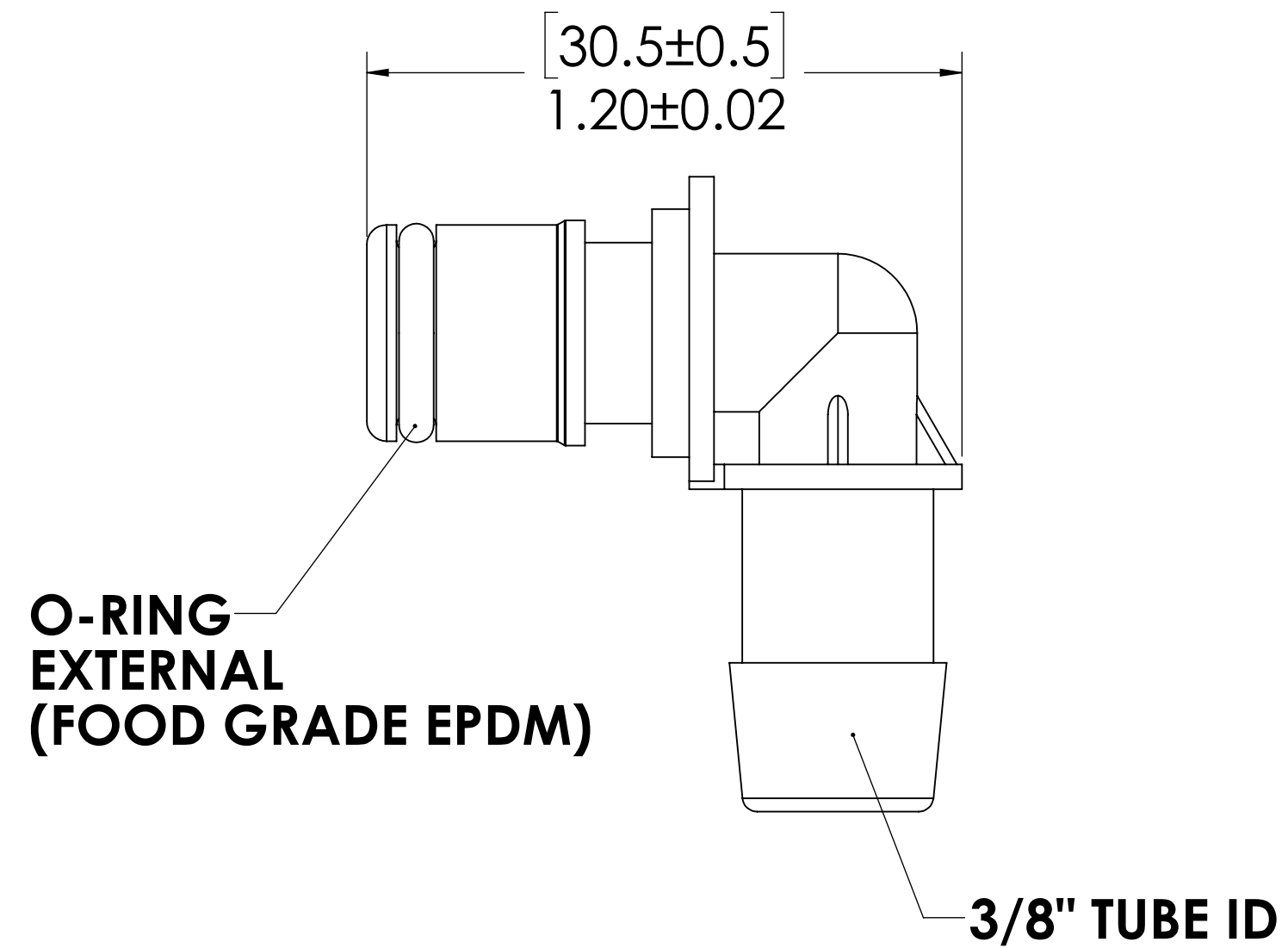
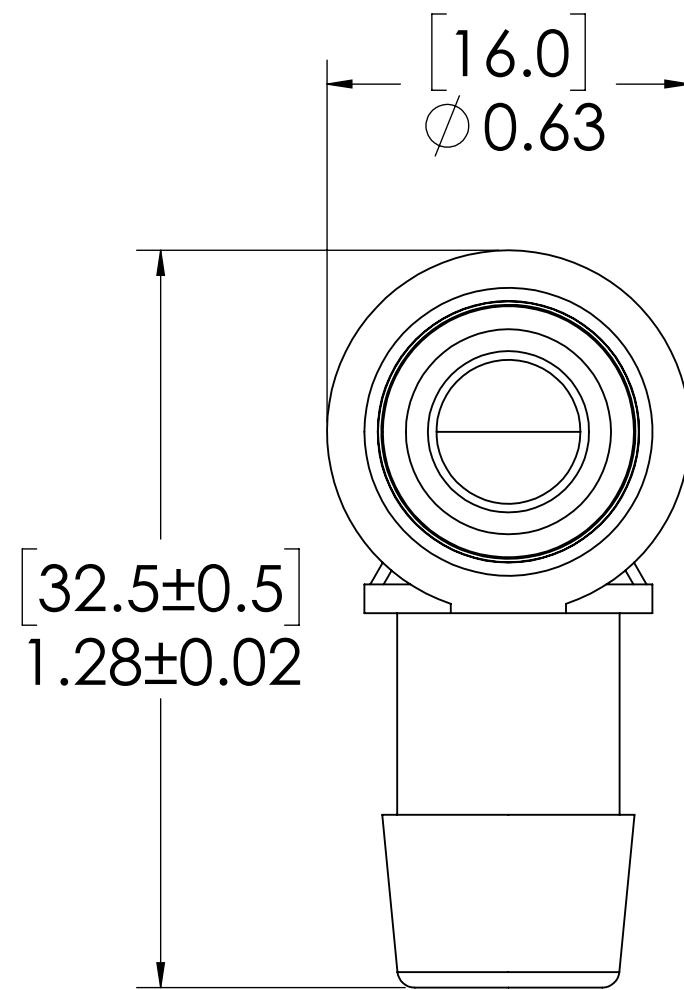
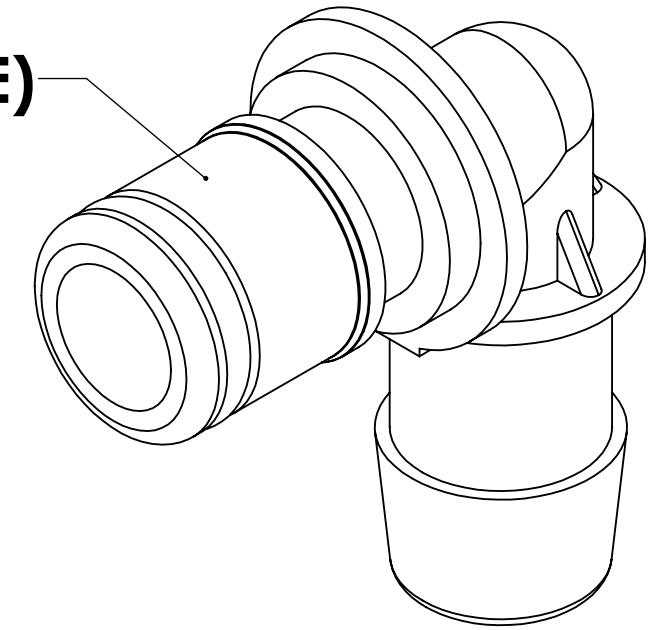


FOR REFERENCE ONLY

<small>UNLESS OTHERWISE SPECIFIED: DIMENSIONS ARE IN INCHES TOLERANCES: FRACTIONAL ± 1/32 ANGULAR: MACH ± 0.5 BEND ± 2 ONE PLACE DECIMAL ± 0.1 TWO PLACE DECIMAL ± 0.01 THREE PLACE DECIMAL ± 0.005 TWO PLACE DUAL (mm) [± 0.12]</small>	<small>DRAWN</small> LMP 4/30/2018	<small>NAME</small> LMP 4/30/2018	 <small>PART NO:</small> 50GP-PF7-06
	<small>CHECKED</small> HRC 4/30/2018	<small>ENG APPR.</small> HRC 10/23/18	
	<small>MFG APPR.</small> BDB 10/23/18	<small>PRODUCTION</small> LS 10/23/18	<small>SIZE</small> C <small>DWG. NO.</small> 50GP500032 <small>REV</small> A
	<small>PROPRIETARY AND CONFIDENTIAL</small> <small>THE INFORMATION CONTAINED IN THIS DRAWING IS THE SOLE PROPERTY OF LINKTECH LLC. ANY REPRODUCTION OR DISCLOSURE IN PART OR AS A WHOLE WITHOUT THE WRITTEN PERMISSION OF LINKTECH LLC IS STRICTLY PROHIBITED.</small>	<small>COMMENTS:</small>	<small>SCALE:</small> NTS <small>WEIGHT:</small>

REVISIONS						
SHEET	ZONE	REV.	ECO	DESCRIPTION	DATE	APPROVED
1	ALL	A	50253	UPDATE DWG TO CURRENT FORMAT & STANDARDS	10/23/2018	HRC

**PLUG
(GLASS-FILLED
POLYPROPYLENE)**




**O-RING
EXTERNAL
(FOOD GRADE EPDM)**

3/8" TUBE ID

NOTES:

1. MATERIAL: GLASS-FILLED POLYPROPYLENE
2. COLOR: NATURAL WHITE
3. O-RING MATERIAL: FOOD GRADE EPDM
4. O-RINGS LUBRICATED WITH FOOD GRADE SILICONE OIL, 350 CST.

FOR REFERENCE ONLY

<small>UNLESS OTHERWISE SPECIFIED: DIMENSIONS ARE IN INCHES TOLERANCES: FRACTIONAL ±1/32 ANGULAR: MACH ±0.5 BEND ±2 ONE PLACE DECIMAL ±0.1 TWO PLACE DECIMAL ±0.01 THREE PLACE DECIMAL ±0.005 TWO PLACE DUAL (mm) [±0.12]</small>	DRAWN	LMP	4/30/2018	 PART NO: 50GP-PF7-06 DESCRIPTION: LinkTech 50GP Series Elbow Plug, Non-Valved, 3/8" HB, Glass-Filled Polypropylene
	CHECKED	HRC	4/30/2018	
	ENG APPR.	HRC	10/23/18	
	MFG APPR.	BDB	10/23/18	
<small>PROPRIETARY AND CONFIDENTIAL THE INFORMATION CONTAINED IN THIS DRAWING IS THE SOLE PROPERTY OF LINKTECH LLC. ANY REPRODUCTION OR DISCLOSURE IN PART OR AS A WHOLE WITHOUT THE WRITTEN PERMISSION OF LINKTECH LLC IS STRICTLY PROHIBITED.</small>	PRODUCTION	LS	10/23/18	<small>SIZE DWG. NO. REV</small> C 50GP500032 A
<small>COMMENTS:</small>			<small>SCALE: NTS WEIGHT: SHEET 1 OF 1</small>	