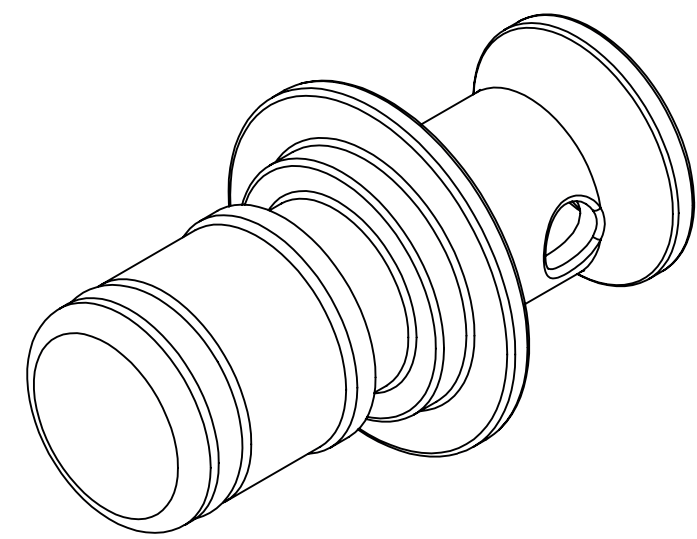
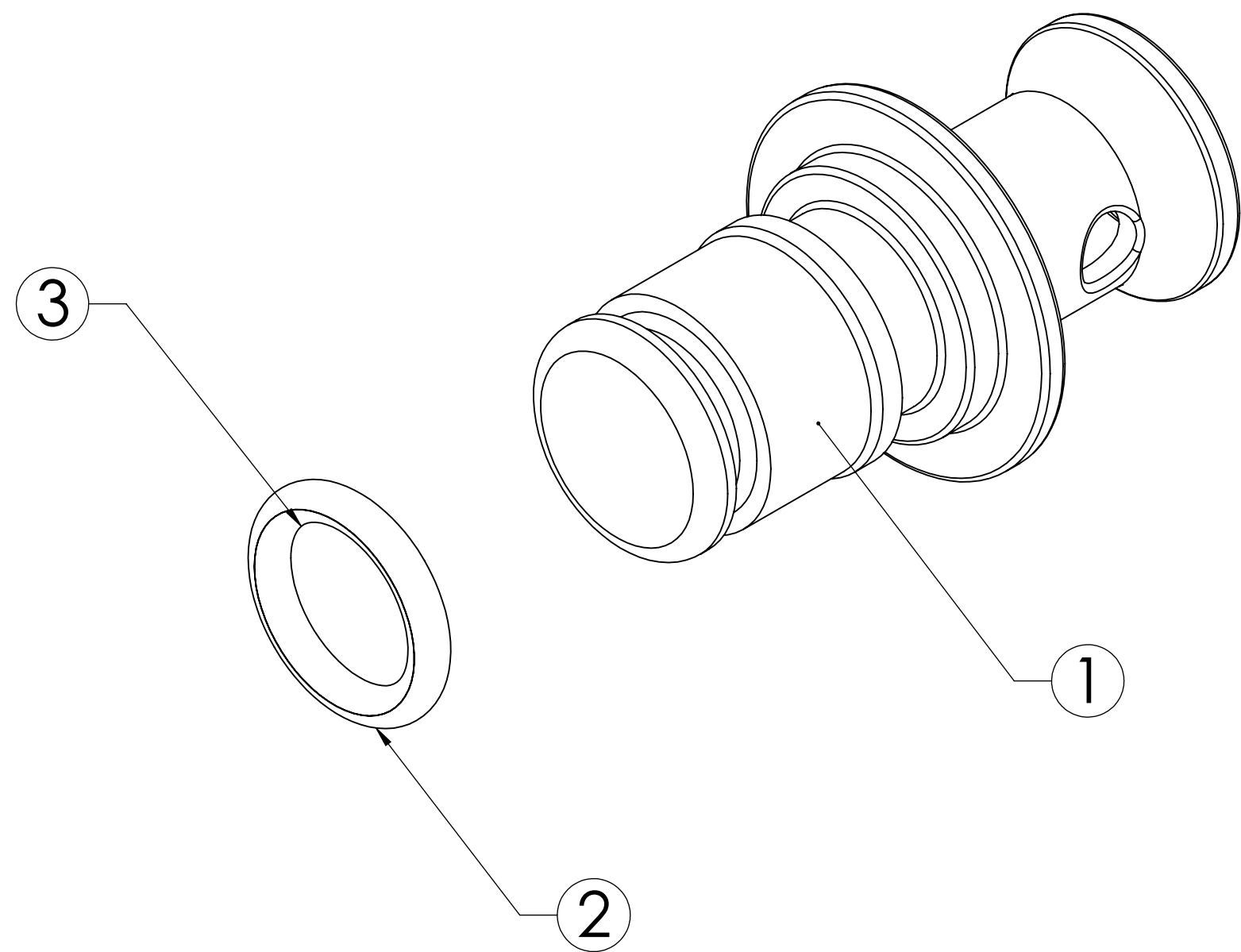



ITEM NO.	PART NUMBER	DESCRIPTION	QTY.
1	C514	END STOP, 50GP	1
2	OE-011-NSF61XL	O-RING, FOOD GRADE EPDM, SIZE -011	1
3	LUBE-DCFG200	O-RING LUBRICATION DOW CORNING FOOD GRADE SILICONE OIL	AR

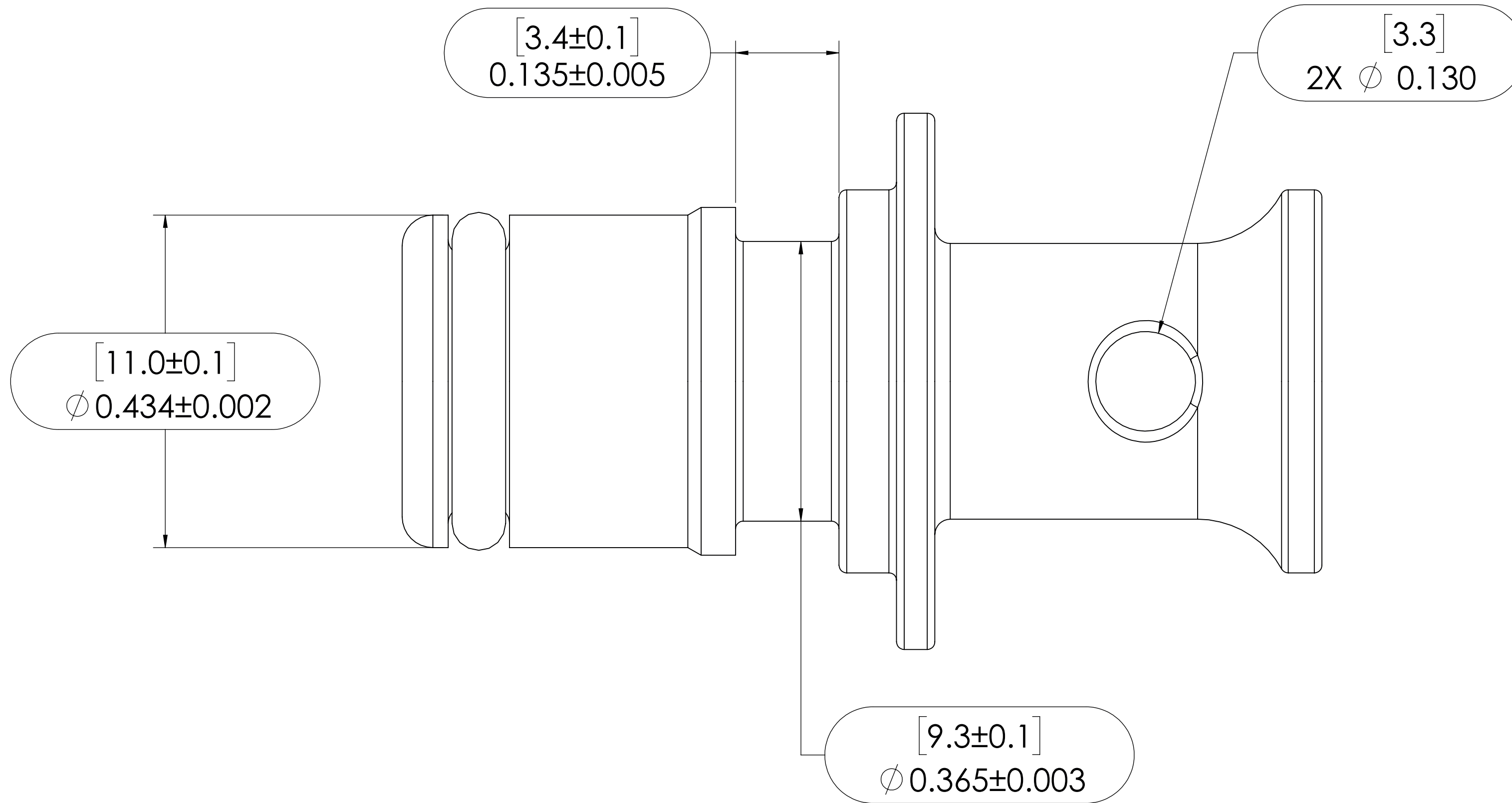
REVISIONS						
SHEET	ZONE	REV.	ECO	DESCRIPTION	DATE	APPROVED
1	ALL	A	50253	UPDATE DWG TO CURRENT FORMAT & STANDARDS	10/30/2018	HRC




NOTES:

1. MATERIAL: GLASS-FILLED POLPROPYLENE
2. COLOR: NATURAL WHITE
3. O-RING MATERIAL: FOOD GRADE EPDM
4. O-RINGS LUBRICATED WITH FOOD GRADE SILICONE OIL, 350 CST.

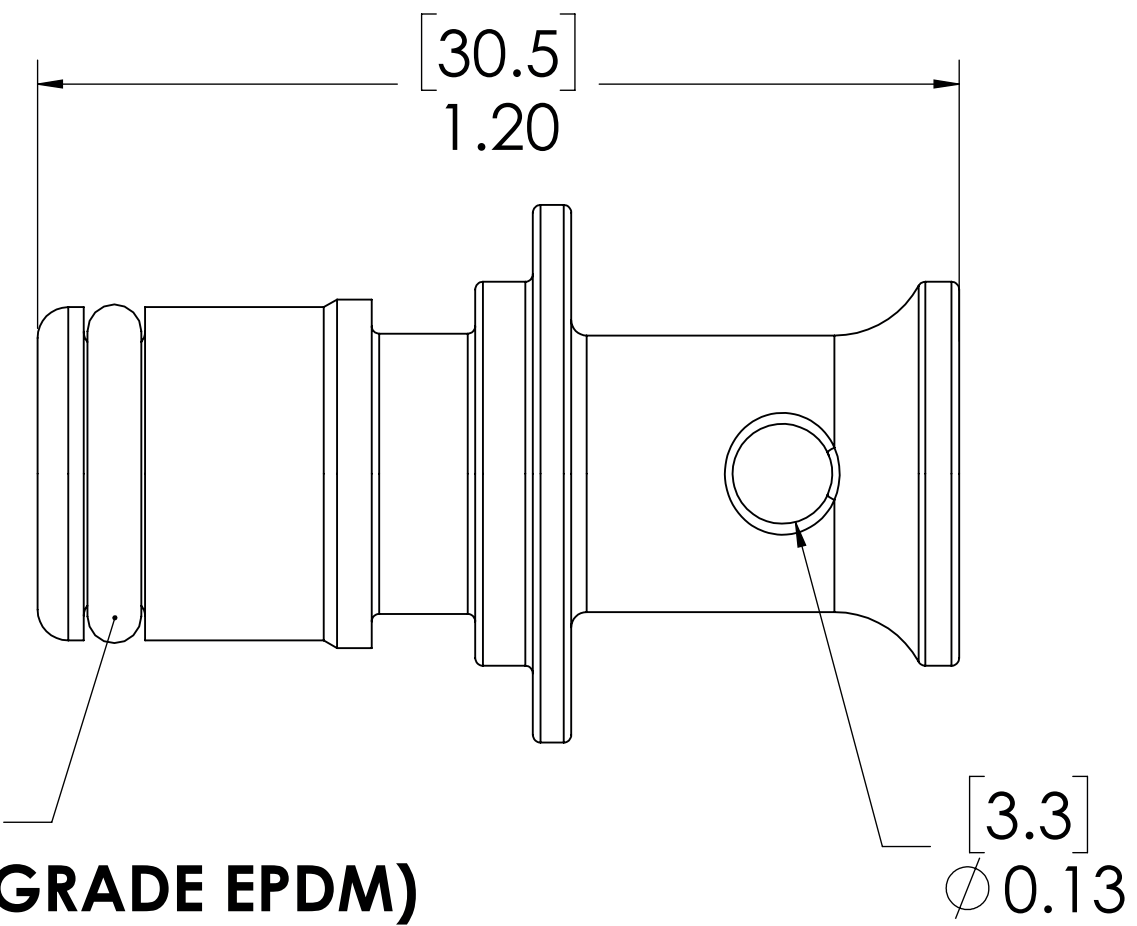
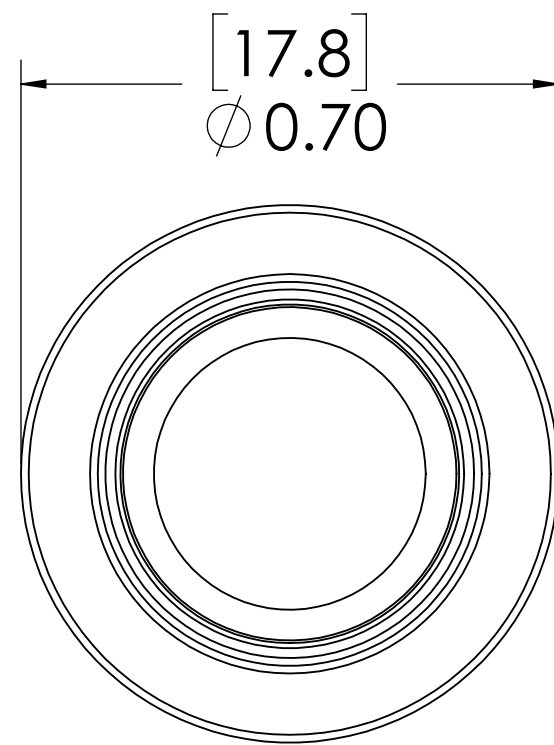
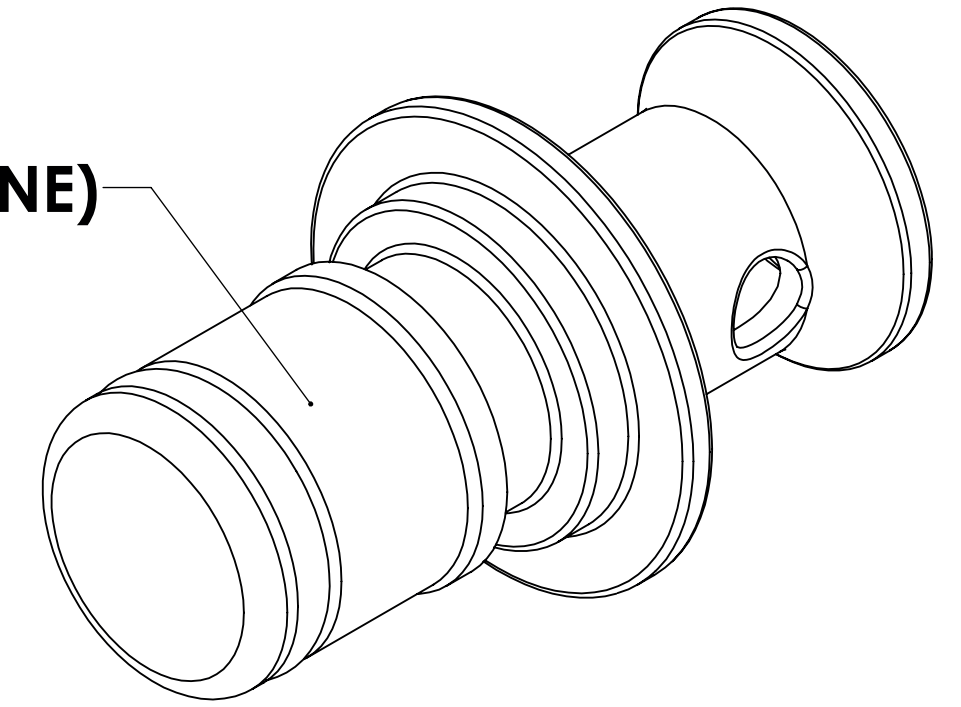
UNLESS OTHERWISE SPECIFIED: DIMENSIONS ARE IN INCHES TOLERANCES: FRACTIONAL ± 1/32 ANGULAR: MACH ± 0.5 BEND ± 2 ONE PLACE DECIMAL ± 0.1 TWO PLACE DECIMAL ± 0.01 THREE PLACE DECIMAL ± 0.005 TWO PLACE DUAL (mm) [±0.12]	DRAWN	LMP	6/13/2018	 PART NO: 50GP-PF6 DESCRIPTION: LinkTech 50GP Series, End Plug, Glass-Filled Polypropylene
	CHECKED	HRC	6/13/2018	
	ENG APPR.	HRC	10/30/18	
	MFG APPR.	BDB	10/30/18	
PRODUCTION	LS	10/30/18	COMMENTS:	SIZE DWG. NO. REV C 50GP500036 A
PROPRIETARY AND CONFIDENTIAL THE INFORMATION CONTAINED IN THIS DRAWING IS THE SOLE PROPERTY OF LINKTECH LLC. ANY REPRODUCTION OR DISCLOSURE IN PART OR AS A WHOLE WITHOUT THE WRITTEN PERMISSION OF LINKTECH LLC IS STRICTLY PROHIBITED.			SCALE: NTS WEIGHT:	SHEET 1 OF 2



UNLESS OTHERWISE SPECIFIED:		NAME	DATE	
DIMENSIONS ARE IN INCHES TOLERANCES: FRACTIONAL $\pm 1/32$ ANGULAR: MACH ± 0.5 BEND ± 2 ONE PLACE DECIMAL ± 0.1 TWO PLACE DECIMAL ± 0.01 THREE PLACE DECIMAL ± 0.005 TWO PLACE DUAL (mm) $[\pm 0.12]$		DRAWN	LMP	
PROPRIETARY AND CONFIDENTIAL THE INFORMATION CONTAINED IN THIS DRAWING IS THE SOLE PROPERTY OF LINKTECH LLC. ANY REPRODUCTION OR DISCLOSURE IN PART OR AS A WHOLE WITHOUT THE WRITTEN PERMISSION OF LINKTECH LLC IS STRICTLY PROHIBITED.		CHECKED	HRC	6/13/2018
		ENG APPR.	HRC	10/30/18
		MFG APPR.	BDB	10/30/18
		PRODUCTION	LS	10/30/18
		COMMENTS:		PART NO: 50GP-PF6 DESCRIPTION: LinkTech 50GP Series, End Plug, Glass-Filled Polypropylene
SIZE	DWG. NO.	REV		
C	50GP500036	A		
SCALE: NTS	WEIGHT:	SHEET 2 OF 2		

REVISIONS						
SHEET	ZONE	REV.	ECO	DESCRIPTION	DATE	APPROVED
1	ALL	A	50253	UPDATE DWG TO CURRENT FORMAT & STANDARDS	10/30/2018	HRC

**PLUG
(GLASS-FILLED POLYPROPYLENE)**




**O-RING
(FOOD GRADE EPDM)**

NOTES:

1. MATERIAL: GLASS-FILLED POLYPROPYLENE
2. COLOR: NATURAL WHITE
3. O-RING MATERIAL: FOOD GRADE EPDM
4. O-RINGS LUBRICATED WITH FOOD GRADE SILICONE OIL, 350 CST.

FOR REFERENCE ONLY

<small>UNLESS OTHERWISE SPECIFIED: DIMENSIONS ARE IN INCHES TOLERANCES: FRACTIONAL ± 1/32 ANGULAR: MACH ± 0.5 BEND ± 2 ONE PLACE DECIMAL ± 0.1 TWO PLACE DECIMAL ± 0.01 THREE PLACE DECIMAL ± 0.005 TWO PLACE DUAL (mm) [± 0.12]</small>	DRAWN	LMP	6/13/2018	 PART NO: 50GP-PF6 DESCRIPTION: LinkTech 50GP Series, End Plug, Glass-Filled Polypropylene
	CHECKED	HRC	6/13/2018	
	ENG APPR.	HRC	10/30/18	
	MFG APPR.	BDB	10/30/18	
PRODUCTION	LS	10/30/18	COMMENTS:	<small>PROPRIETARY AND CONFIDENTIAL</small> <small>THE INFORMATION CONTAINED IN THIS DRAWING IS THE SOLE PROPERTY OF LINKTECH LLC. ANY REPRODUCTION OR DISCLOSURE IN PART OR AS A WHOLE WITHOUT THE WRITTEN PERMISSION OF LINKTECH LLC IS STRICTLY PROHIBITED.</small>
SIZE	DWG. NO.	REV	<small>SCALE: NTS WEIGHT: SHEET 1 OF 1</small>	
C	50GP500036	A		