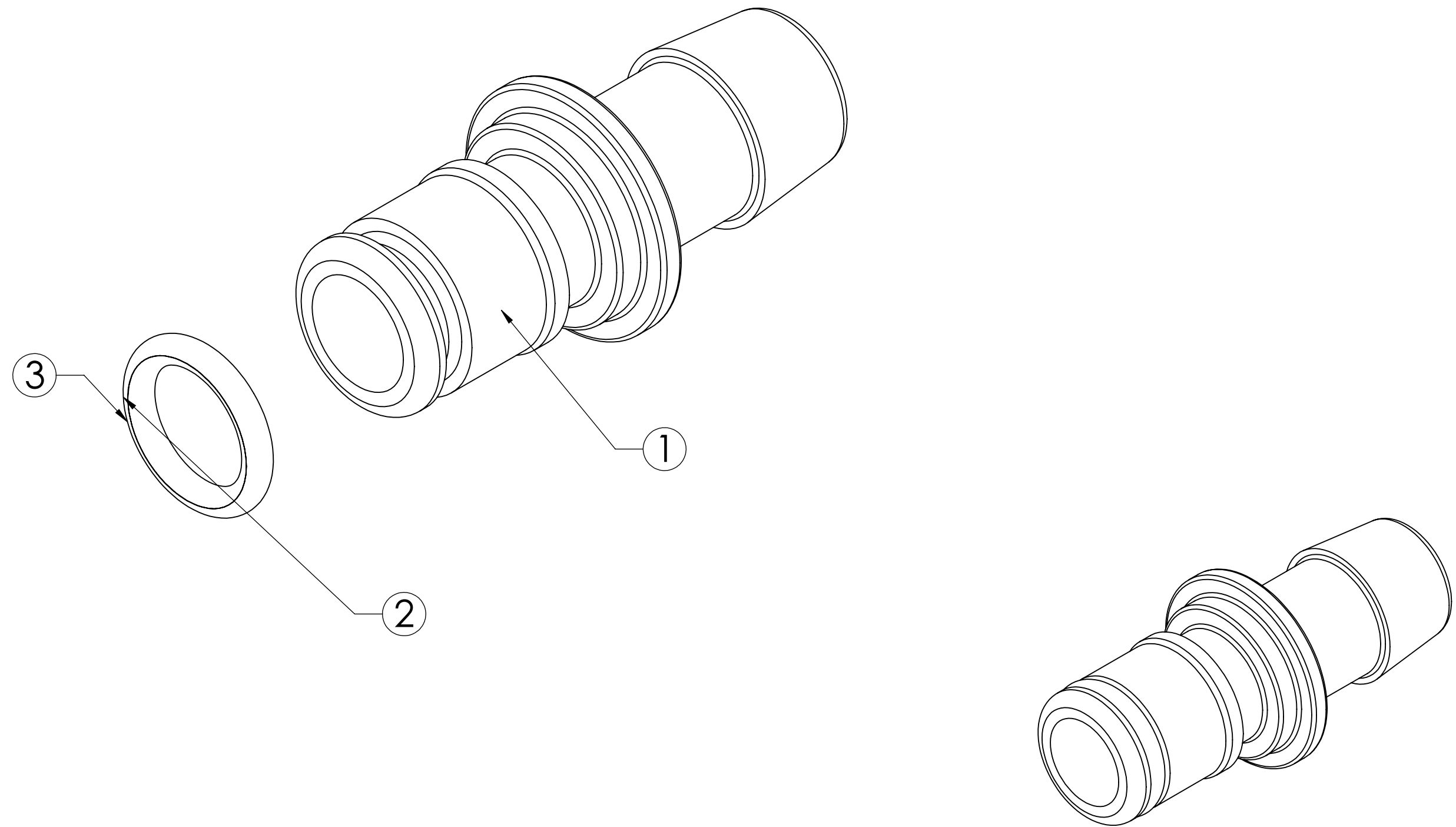


ITEM NO.	PART NUMBER	DESCRIPTION	QTY.
1	C506	PLUG, GP, 3/8" SINGLE HB, NON-VALVED, 50 SERIES	1
2	OE-011-NSF61XL	O-RING, FOOD GRADE EPDM, PLUG SPUD, SIZE -011	1
3	LUBE-DCFG200	O-RING LUBRICATION DOW CORNING FOOD GRADE SILICONE OIL	AR

REVISIONS						
SHEET	ZONE	REV.	ECO	DESCRIPTION	DATE	APPROVED
1	ALL	A	50253	UPDATE DWG TO CURRENT FORMAT & STANDARDS	7/9/2018	HRC



**NOTES:**

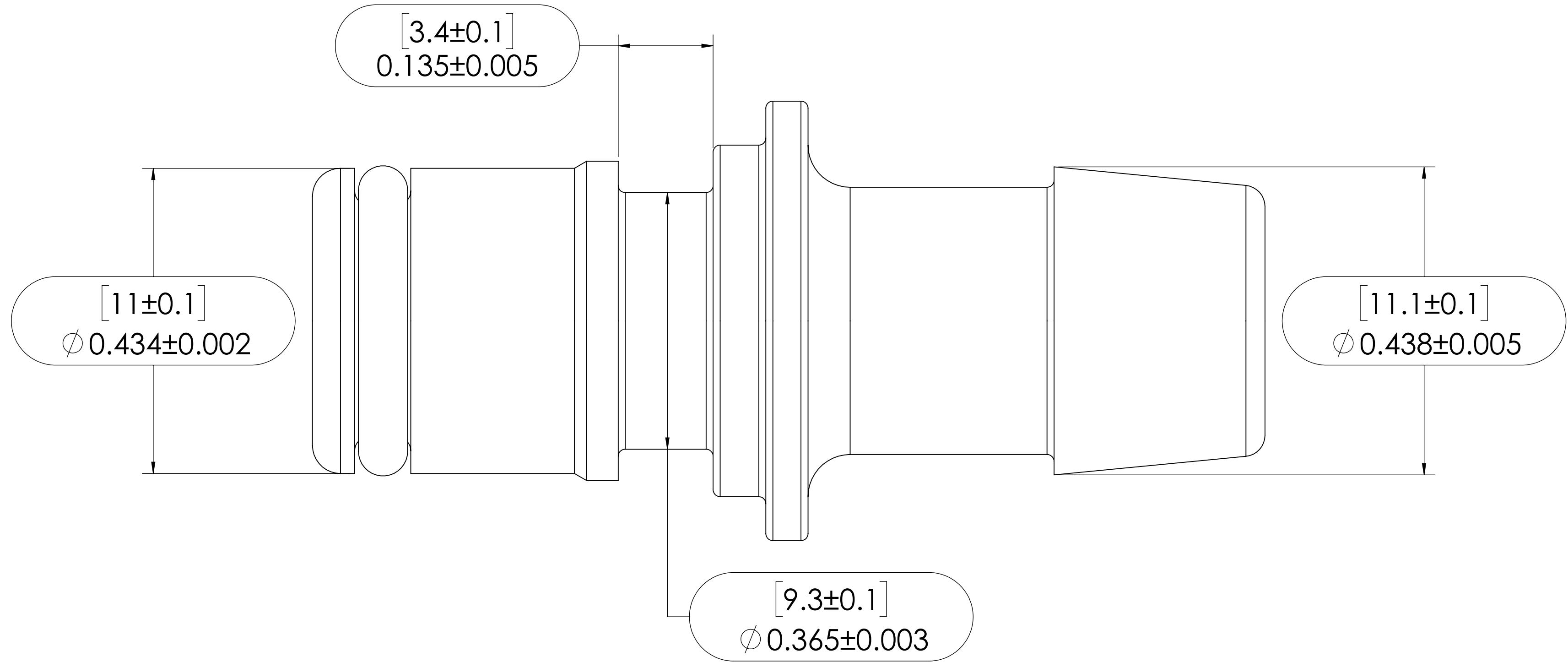
1. MATERIAL: GLASS-FILLED POLYPROPYLENE
2. COLOR: NATURAL WHITE
3. O-RING MATERIAL: NSF61 EPDM
4. O-RINGS LUBRICATED WITH FOOD GRADE SILICONE OIL, 350 CST.




**Arbel Agencies LTD.**

11 Ba'alei Hamelacha st. Qiryat Bialik P.O.B 1095, ZIP 2751311, ISRAEL  
 +972(0)48736969 +972(0)48730708 info@arbel-ltd.com

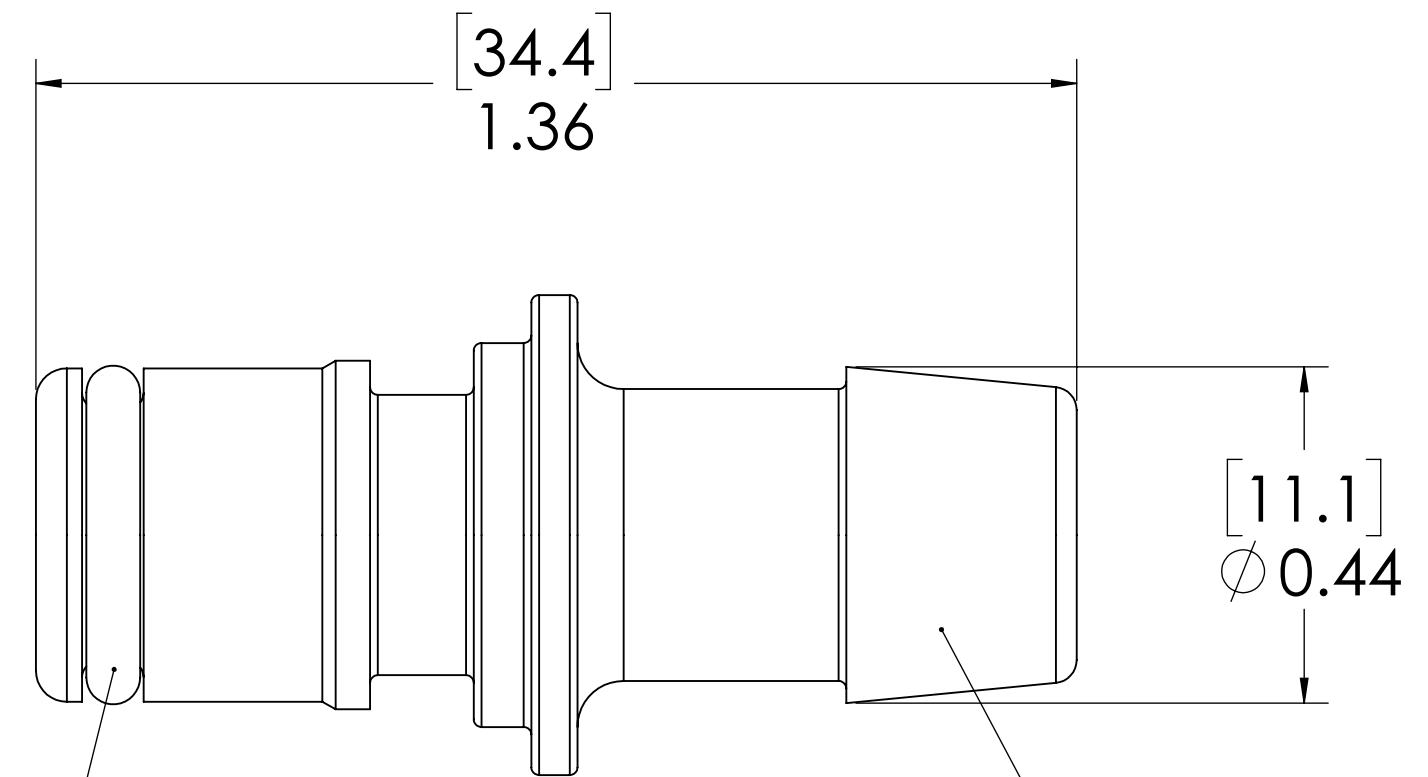
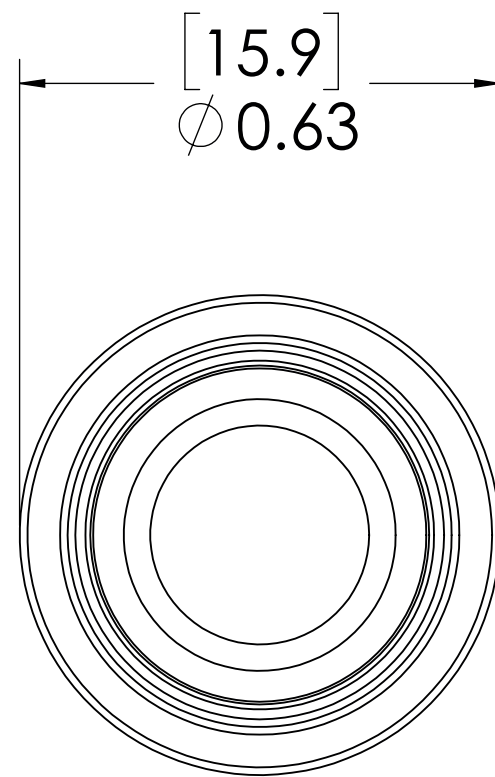
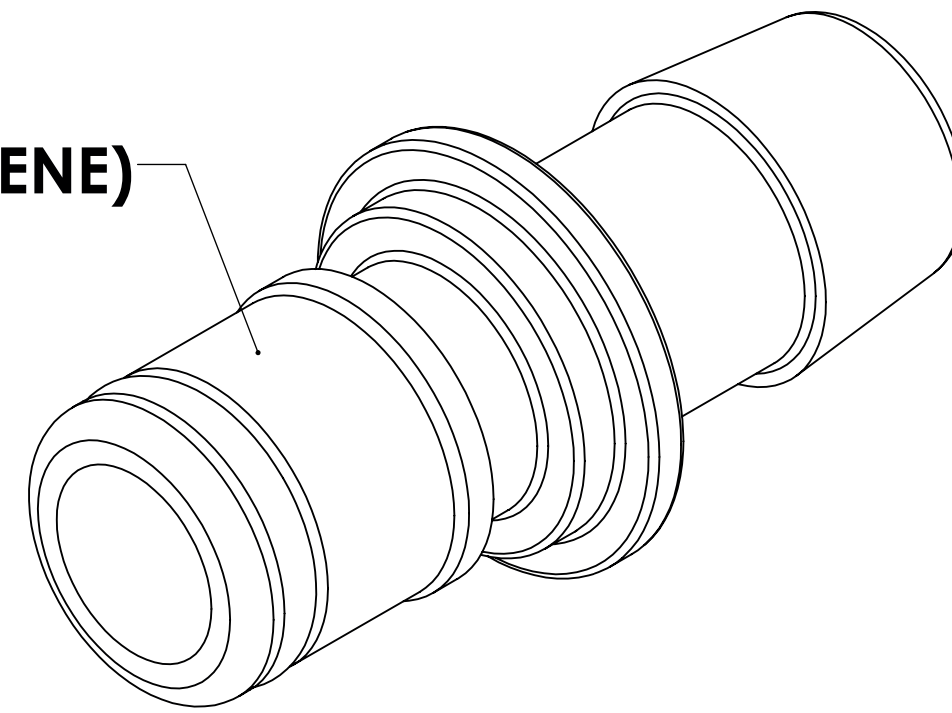
UNLESS OTHERWISE SPECIFIED: DIMENSIONS ARE IN INCHES TOLERANCES: FRACTIONAL ± 1/32 ANGULAR: MACH ± 0.5 BEND ± 2 ONE PLACE DECIMAL ± 0.1 TWO PLACE DECIMAL ± 0.01 THREE PLACE DECIMAL ± 0.005 TWO PLACE DUAL (mm) [± 0.12]	DRAWN	ER	07-19-17					
	CHECKED	HRC	08-08-17					
	ENG APPR.	HRC	7/9/18					
	MFG APPR.	BDB	7/9/18					
PROPRIETARY AND CONFIDENTIAL	PRODUCTION	LS	7/9/18	<b>PART NO: 50GP-PF5-06</b>  <b>DESCRIPTION:</b> LinkTech 50GP Series, Series Straight Male, Non-Valved, 3/8" HB, Glass-Filled Polypropylene				
THE INFORMATION CONTAINED IN THIS DRAWING IS THE SOLE PROPERTY OF LINKTECH LLC. ANY REPRODUCTION OR DISCLOSURE IN PART OR AS A WHOLE WITHOUT THE WRITTEN PERMISSION OF LINKTECH LLC IS STRICTLY PROHIBITED.	COMMENTS:							
<table border="1"> <tr> <td>SIZE</td> <td>DWG. NO.</td> <td>REV</td> </tr> <tr> <td>C</td> <td>50GP500031</td> <td>A</td> </tr> </table>			SIZE		DWG. NO.	REV	C	50GP500031
SIZE	DWG. NO.	REV						
C	50GP500031	A						
SCALE: NTS		WEIGHT:	SHEET 1 OF 1					



UNLESS OTHERWISE SPECIFIED:		NAME	DATE	
DIMENSIONS ARE IN INCHES TOLERANCES: FRACTIONAL ± 1/32 ANGULAR: MACH ± 0.5 BEND ± 2 ONE PLACE DECIMAL ± 0.1 TWO PLACE DECIMAL ± 0.01 THREE PLACE DECIMAL ± 0.005 TWO PLACE DUAL (mm) [± 0.12]		DRAWN	ER	
PROPRIETARY AND CONFIDENTIAL  THE INFORMATION CONTAINED IN THIS DRAWING IS THE SOLE PROPERTY OF LINKTECH LLC. ANY REPRODUCTION OR DISCLOSURE IN PART OR AS A WHOLE WITHOUT THE WRITTEN PERMISSION OF LINKTECH LLC IS STRICTLY PROHIBITED.		CHECKED	HRC	08-08-17
		ENG APPR.	HRC	7/9/18
		MFG APPR.	BDB	7/9/18
		PRODUCTION	LS	7/9/18
		COMMENTS:		
		PART NO: <b>50GP-PF5-06</b>		
		DESCRIPTION: LinkTech 50GP Series, Series Straight Male, Non-Valved, 3/8" HB, Glass-Filled Polypropylene		
SIZE	DWG. NO.			REV
<b>C</b>	<b>50GP500031</b>			<b>A</b>
SCALE: NTS		WEIGHT:		SHEET 1 OF 1

REVISIONS						
SHEET	ZONE	REV.	ECO	DESCRIPTION	DATE	APPROVED
1	ALL	A	50253	UPDATE DWG TO CURRENT FORMAT & STANDARDS	7/9/2018	HRC

**PLUG  
(GLASS-FILLED POLYPROPYLENE)**



**O-RING  
EXTERNAL  
(NSF61 EPDM)**

**3/8" TUBE ID**

**NOTES:**

1. MATERIAL: GLASS-FILLED POLYPROPYLENE
2. COLOR: NATURAL WHITE
3. O-RING MATERIAL: NSF61 EPDM
4. O-RINGS LUBRICATED WITH FOOD GRADE SILICONE OIL, 350 CST.

**FOR REFERENCE ONLY**

<small>UNLESS OTHERWISE SPECIFIED: DIMENSIONS ARE IN INCHES TOLERANCES: FRACTIONAL ± 1/32 ANGULAR, MACH ± 0.5 BEND ± 2 ONE PLACE DECIMAL ± 0.1 TWO PLACE DECIMAL ± 0.01 THREE PLACE DECIMAL ± 0.005 TWO PLACE DUAL (mm) [± 0.12]</small>	DRAWN	ER	08-08-17	
	CHECKED	HRC	08-08-17	
	ENG APPR.	HRC	7/9/18	
	MFG APPR.	BDB	7/9/18	
PRODUCTION	LS	7/9/18		<b>PART NO: 50GP-PF5-06</b>  <small>DESCRIPTION: LinkTech 50GP Series, Series Straight Male, Non-Valved, 3/8" HB, Glass-Filled Polypropylene</small>
<small>PROPRIETARY AND CONFIDENTIAL THE INFORMATION CONTAINED IN THIS DRAWING IS THE SOLE PROPERTY OF LINKTECH LLC. ANY REPRODUCTION OR DISCLOSURE IN PART OR AS A WHOLE WITHOUT THE WRITTEN PERMISSION OF LINKTECH LLC IS STRICTLY PROHIBITED.</small>				<small>COMMENTS:</small>
<small>SIZE DWG. NO.</small> <b>C 50GP500031</b>		<small>REV</small> <b>A</b>		<small>SCALE: NTS WEIGHT: SHEET 1 OF 1</small>