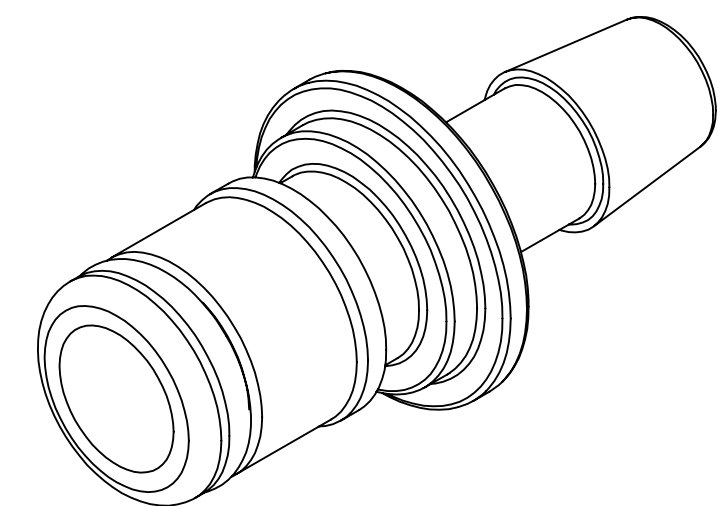
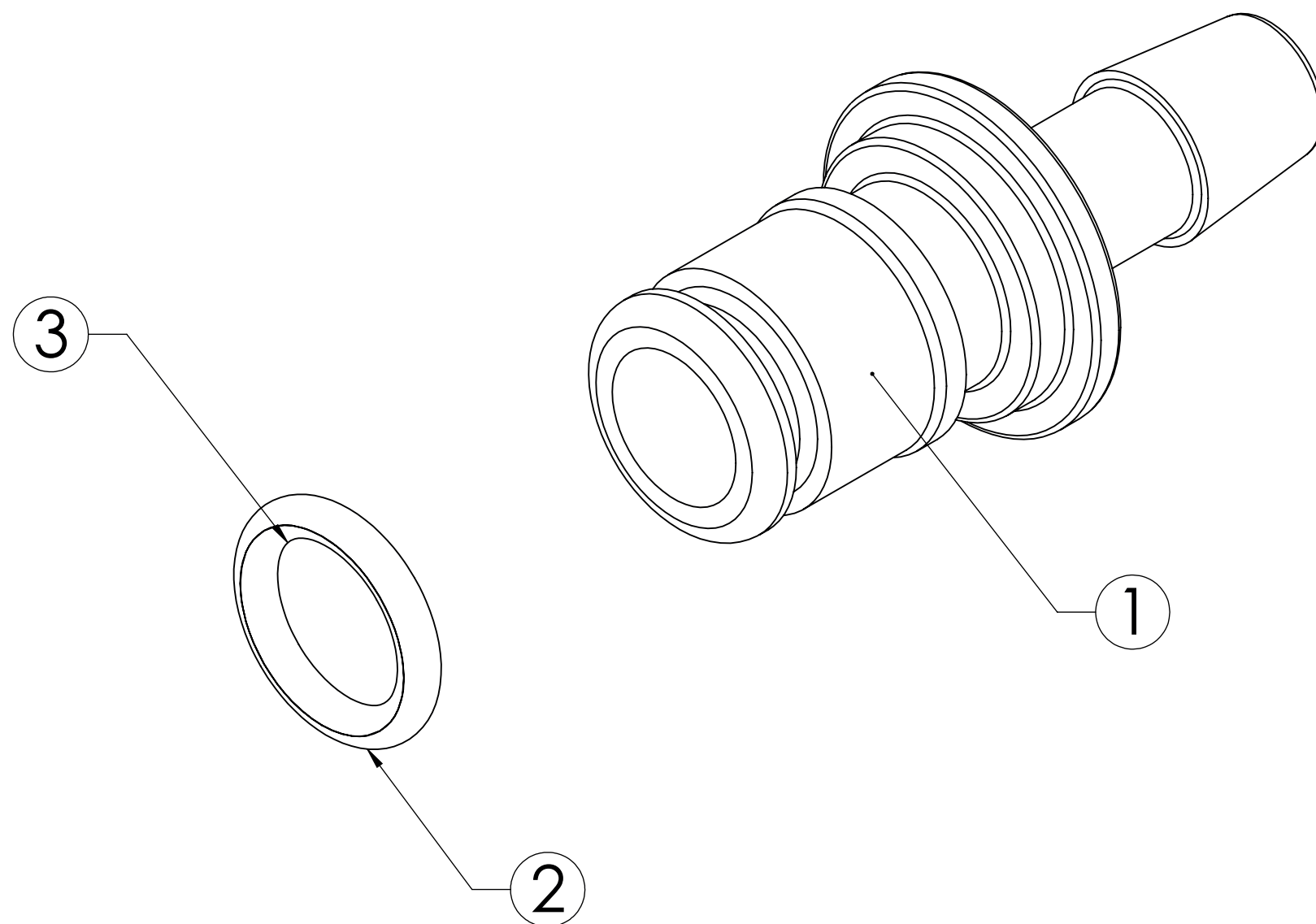


ITEM NO.	PART NUMBER	DESCRIPTION	QTY.
1	C515	PLUG, GP, 3/8" SINGLE HB, NON-VALVED, 50 SERIES	1
2	OE-011-NSF61XL	O-RING, FOOD GRADE EPDM, PLUG SPUD, SIZE -011, 40 SERIES	1
3	LUBE-DCFG200	O-RING LUBRICATION DOW CORNING FOOD GRADE SILICONE OIL	AR

REVISIONS						
SHEET	ZONE	REV.	ECO	DESCRIPTION	DATE	APPROVED
1	ALL	A	50253	UPDATE DWG TO CURRENT FORMAT & STANDARDS	10/30/2018	HRC



NOTES:

1. MATERIAL: GLASS-FILLED POLYPROPYLENE
2. COLOR: NATURAL WHITE
3. O-RING MATERIAL: EPDM, NSF61
4. O-RINGS LUBRICATED WITH FOOD GRADE SILICONE OIL, 350 CST.

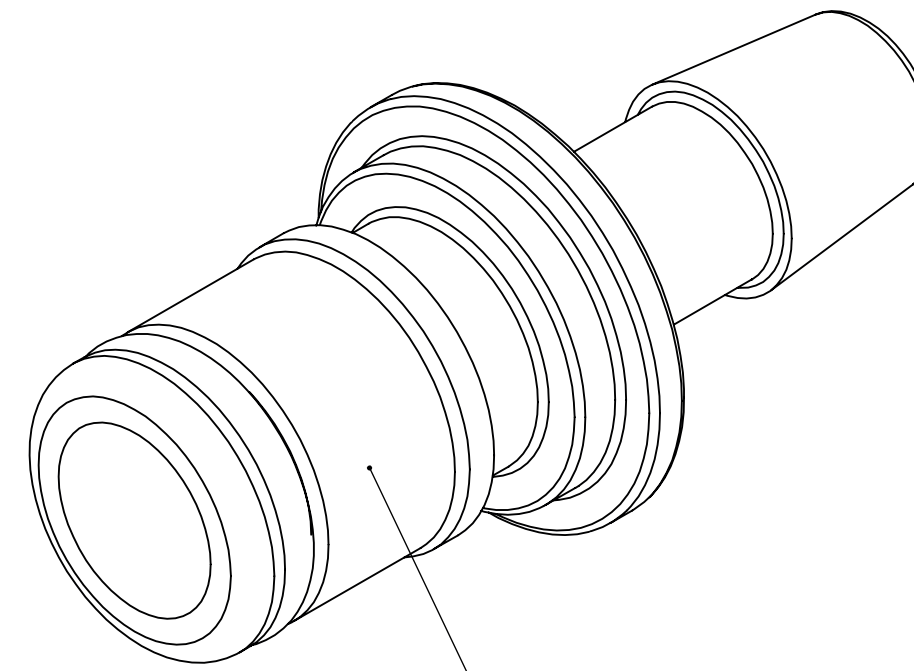


Arbel Agencies LTD.

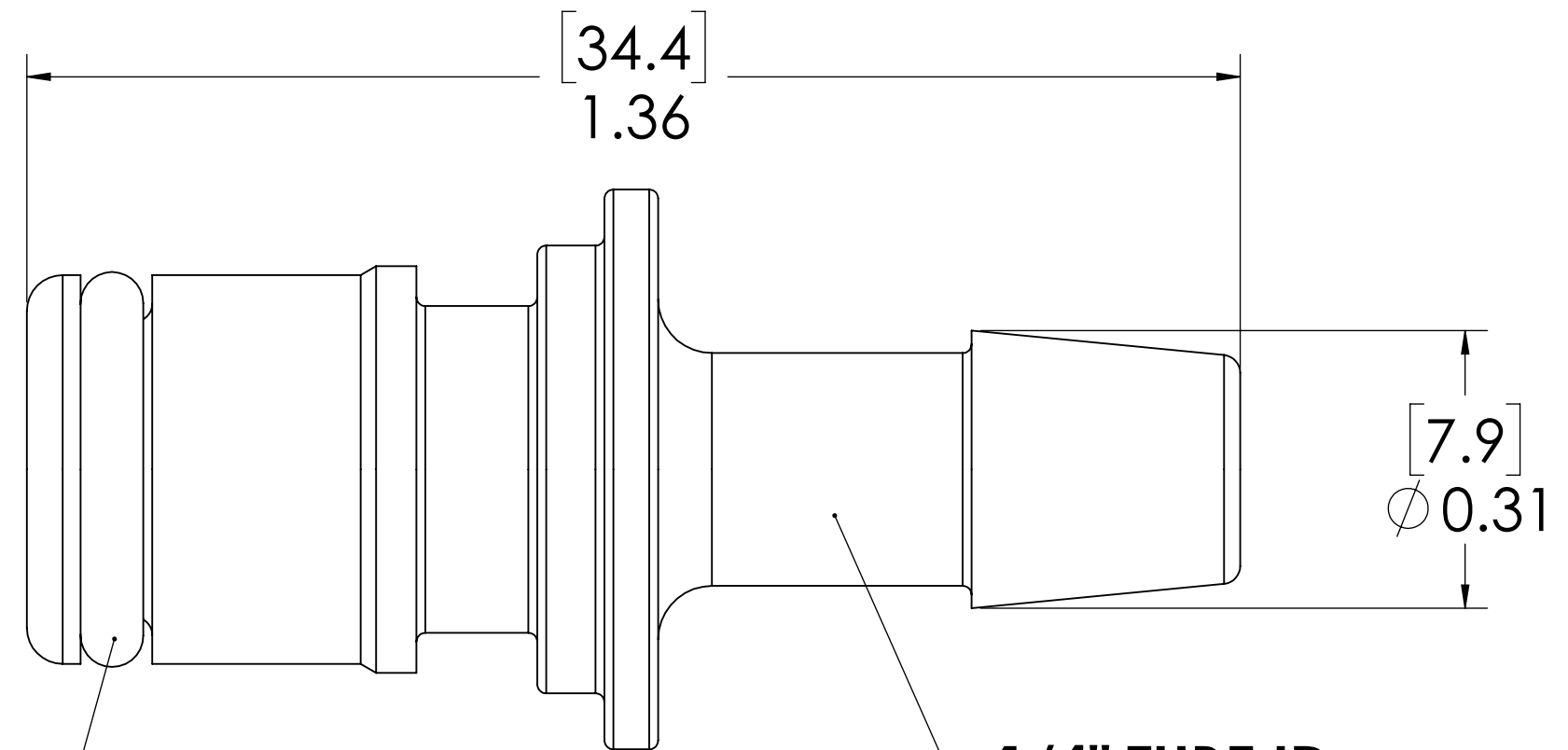
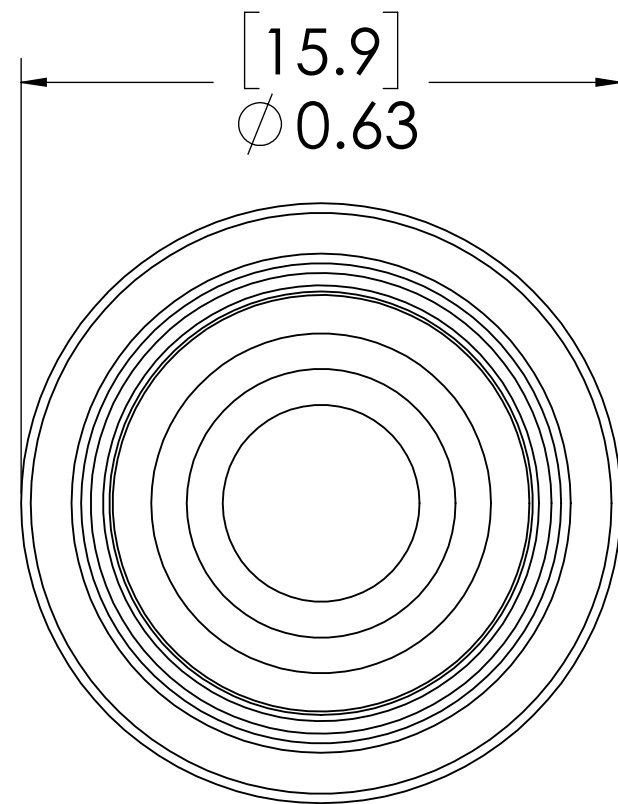
11 Ba'alei Hamelacha st. Qiryat Bialik P.O.B 1095, ZIP 2751311, ISRAEL
 +972(0)48736969 +972(0)48730708 info@arbel-ltd.com

UNLESS OTHERWISE SPECIFIED: DIMENSIONS ARE IN INCHES TOLERANCES: FRACTIONAL ± 1/32 ANGULAR: MACH ± 0.5 BEND ± 2 ONE PLACE DECIMAL ± 0.1 TWO PLACE DECIMAL ± 0.01 THREE PLACE DECIMAL ± 0.005 TWO PLACE DUAL (mm) [± 0.12]	DRAWN	LMP	6/12/2018	 PART NO: 50GP-PF5-04 DESCRIPTION: LinkTech 40PP Series, Male Thread Socket, Non-Valved, 1/4" NPT, Molded Almond Color, Polypropylene						
	CHECKED	HRC	6/12/2018							
	ENG APPR.	HRC	10/30/18							
	MFG APPR.	BDB	10/30/18							
PRODUCTION	LS	10/30/18		<table border="1"> <tr> <td>SIZE</td> <td>DWG. NO.</td> <td>REV</td> </tr> <tr> <td>C</td> <td>50GP500035</td> <td>A</td> </tr> </table>	SIZE	DWG. NO.	REV	C	50GP500035	A
SIZE	DWG. NO.	REV								
C	50GP500035	A								
PROPRIETARY AND CONFIDENTIAL THE INFORMATION CONTAINED IN THIS DRAWING IS THE SOLE PROPERTY OF LINKTECH LLC. ANY REPRODUCTION OR DISCLOSURE IN PART OR AS A WHOLE WITHOUT THE WRITTEN PERMISSION OF LINKTECH LLC IS STRICTLY PROHIBITED.	COMMENTS:			<table border="1"> <tr> <td>SCALE: NTS</td> <td>WEIGHT:</td> <td>SHEET 1 OF 1</td> </tr> </table>	SCALE: NTS	WEIGHT:	SHEET 1 OF 1			
SCALE: NTS	WEIGHT:	SHEET 1 OF 1								

REVISIONS						
SHEET	ZONE	REV.	ECO	DESCRIPTION	DATE	APPROVED
1	ALL	A	50253	UPDATE DWG TO CURRENT FORMAT & STANDARDS	10/30/2018	HRC



**PLUG
(GLASS-FILLED POLYPROPYLENE)**



**O-RING
EXTERNAL
(FOOD GRADE EPDM)**

1/4" TUBE ID

NOTES:

- MATERIAL: GLASS-FILLED POLYPROPYLENE
- COLOR: NATURAL WHITE
- O-RING MATERIAL: EPDM, NSF61
- O-RINGS LUBRICATED WITH FOOD GRADE SILICONE OIL, 350 CST.

FOR REFERENCE ONLY

<small>UNLESS OTHERWISE SPECIFIED: DIMENSIONS ARE IN INCHES TOLERANCES: FRACTIONAL ± 1/32 ANGULAR: MACH ± 0.5 BEND ± 2 ONE PLACE DECIMAL ± 0.1 TWO PLACE DECIMAL ± 0.01 THREE PLACE DECIMAL ± 0.005 TWO PLACE DUAL (mm) [± 0.12]</small>	DRAWN	LMP	6/12/2018							
	CHECKED	HRC	6/12/2018							
	ENG APPR.	HRC	10/30/18							
	MFG APPR.	BDB	10/30/18							
PRODUCTION	LS	10/30/18		PART NO: 50GP-PF5-04 <small>DESCRIPTION: LinkTech 40PP Series, Male Thread Socket, Non-Valved, 1/4" NPT, Molded Almond Color, Polypropylene</small>						
<small>PROPRIETARY AND CONFIDENTIAL THE INFORMATION CONTAINED IN THIS DRAWING IS THE SOLE PROPERTY OF LINKTECH LLC. ANY REPRODUCTION OR DISCLOSURE IN PART OR AS A WHOLE WITHOUT THE WRITTEN PERMISSION OF LINKTECH LLC IS STRICTLY PROHIBITED.</small>	COMMENTS:			<table border="1"> <tr> <td>SIZE</td> <td>DWG. NO.</td> <td>REV</td> </tr> <tr> <td>C</td> <td>50GP500035</td> <td>A</td> </tr> </table>	SIZE	DWG. NO.	REV	C	50GP500035	A
SIZE	DWG. NO.	REV								
C	50GP500035	A								
SCALE: NTS		WEIGHT:	SHEET 1 OF 1							