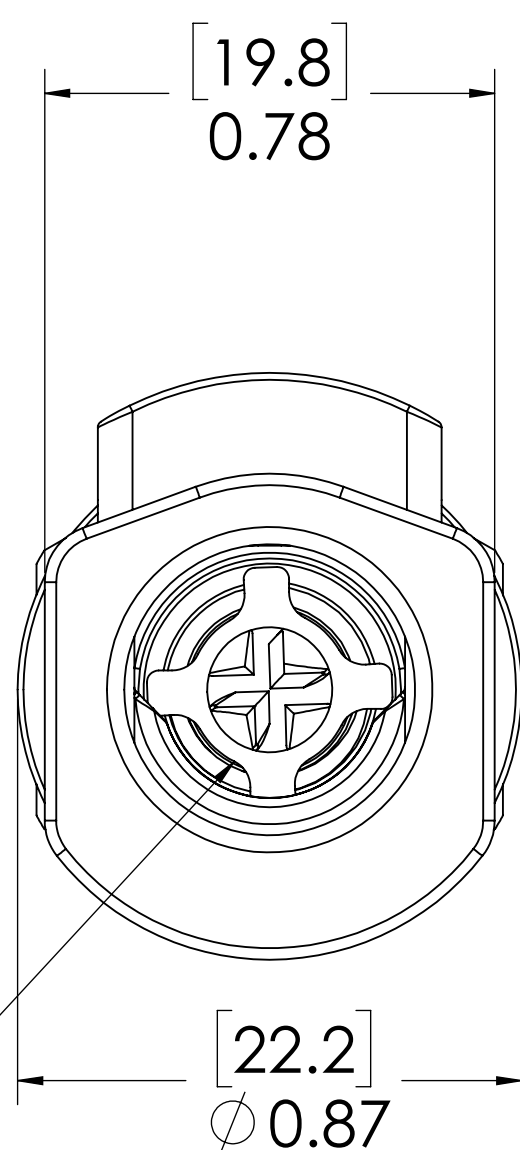
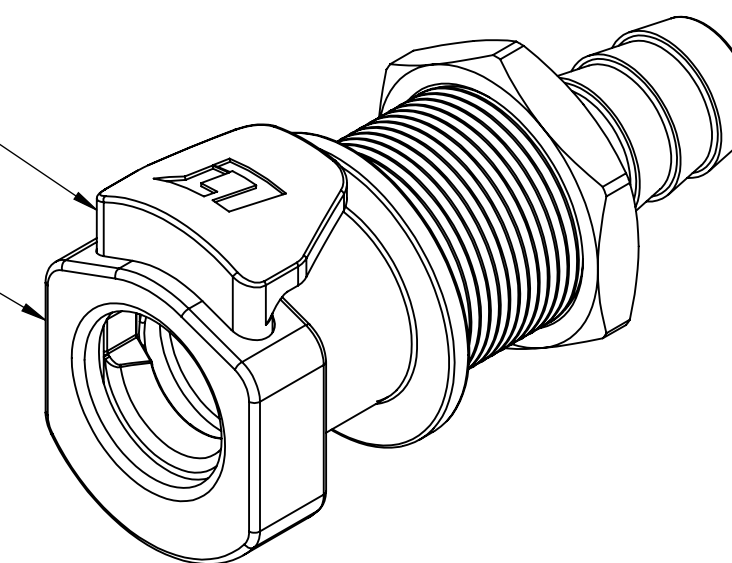


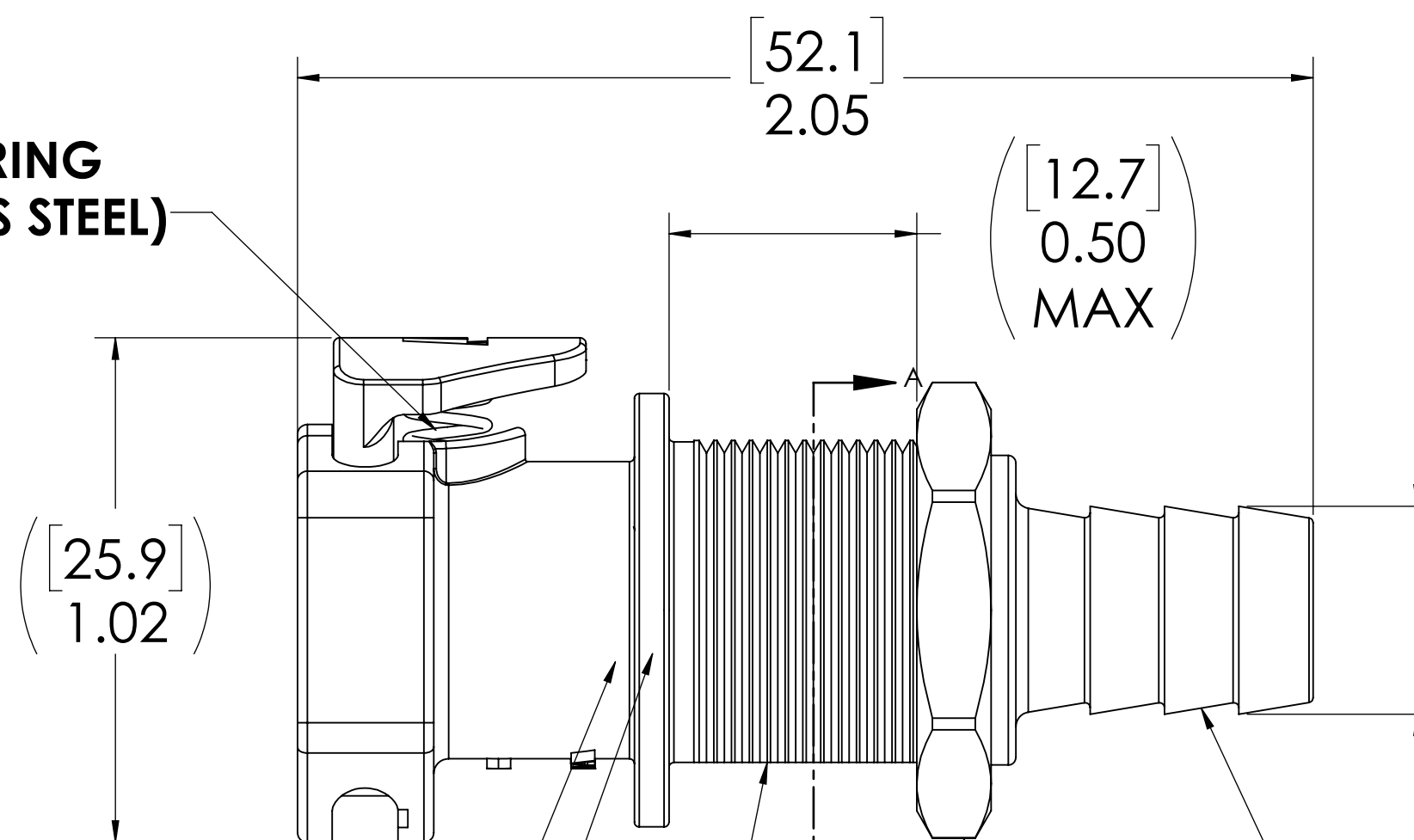
REVISIONS						
SHEET	ZONE	REV.	ECO	DESCRIPTION	DATE	APPROVED
1	ALL	A	50253	FORMAT UPDATE	3/8/2018	HRC

**LATCH
(ACETAL)**
**SOCKET,
(ACETAL)**



**VALVE,
(ACETAL)**

**LATCH SPRING
(STAINLESS STEEL)**



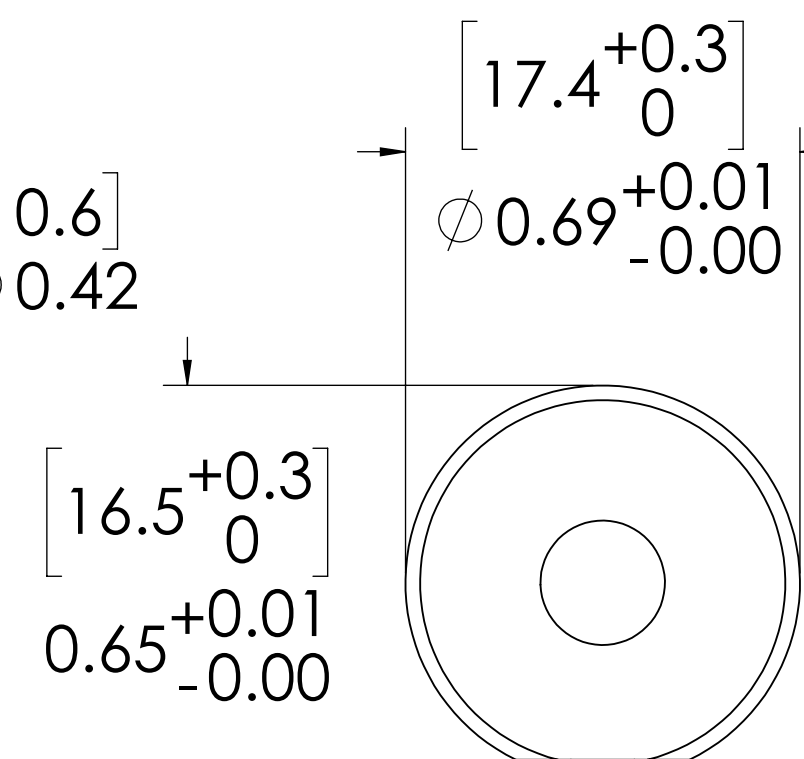
**VALVE
INTERNAL O-RING,
(BUNA-N)**

**VALVE SPRING,
INTERNAL
(STAINLESS STEEL)**

11/16"-24 UNF THREAD

**PANEL NUT
(BRASS, NICKEL
PLATED, 13/16" HEX)
PACKAGED SEPARATELY**

3/8" TUBE ID



**PANEL OPENING
(SECTION A-A)**

NOTES:

- MATERIAL: ACETAL
- COLOR: NATURAL WHITE
- O-RING MATERIAL: BUNA-N
- O-RINGS LUBRICATED WITH FOOD GRADE SILICONE OIL, 350 CST.

FOR REFERENCE ONLY

UNLESS OTHERWISE SPECIFIED:		NAME	DATE	
DIMENSIONS ARE IN INCHES		DRAWN	RDA	
TOLERANCES:		CHECKED	HRC	7/24/2017
FRACTIONAL ± 1/32		ENG APPR.	HRC	03-08-18
ANGULAR: MACH ± 0.5 BEND ± 2		MFG APPR.	BDB	03-08-18
ONE PLACE DECIMAL ± 0.1		PURCHASING	RK	03-08-18
TWO PLACE DECIMAL ± 0.01		COMMENTS:		
THREE PLACE DECIMAL ± 0.005				
TWO PLACE DUAL (mm) [± 0.12]				
PROPRIETARY AND CONFIDENTIAL				
THE INFORMATION CONTAINED IN THIS DRAWING IS THE SOLE PROPERTY OF LINKTECH LLC. ANY REPRODUCTION OR DISCLOSURE IN PART OR AS A WHOLE WITHOUT THE WRITTEN PERMISSION OF LINKTECH LLC IS STRICTLY PROHIBITED.				
		PART NO:		50ACV-SB3-06
		DESCRIPTION:		LinkTech 50AC Series Panel Mt. Female, Valved, 375 HB, Natural Acetal
SIZE	DWG. NO.	REV		
C	50AC500049	A		
SCALE: NTS	WEIGHT:	SHEET 1 OF 1		