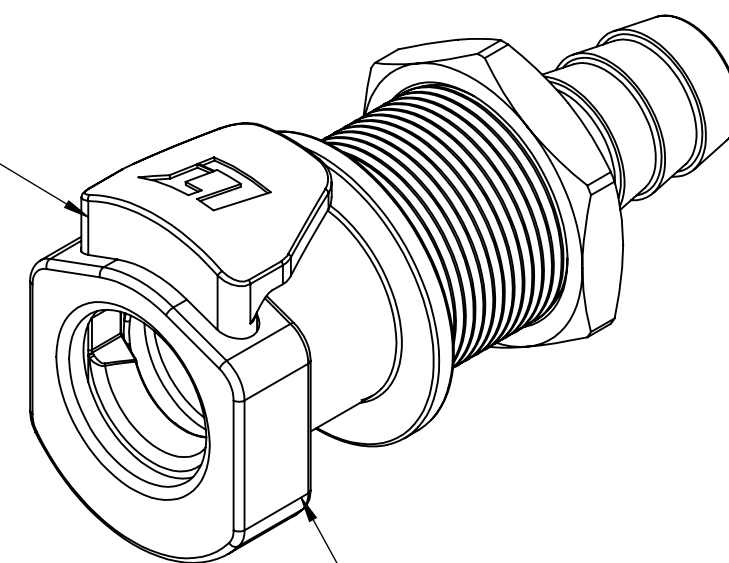


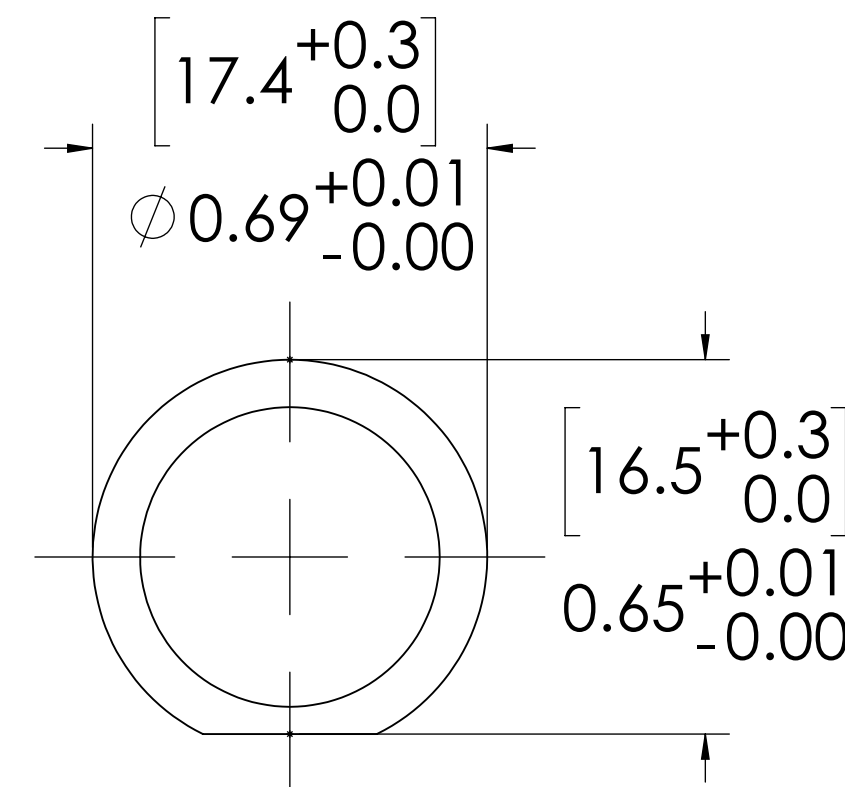
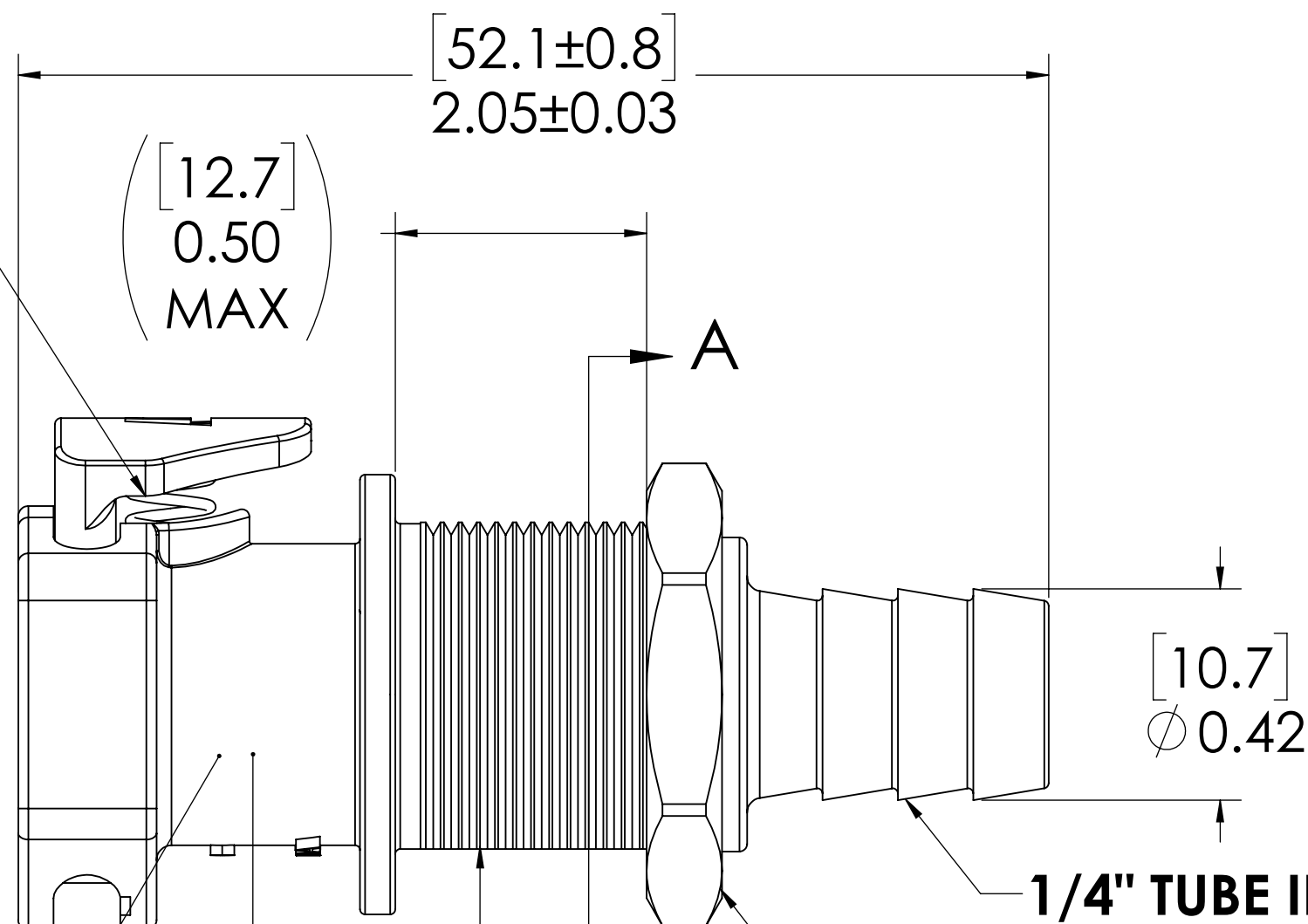
REVISIONS						
SHEET	ZONE	REV.	ECO	DESCRIPTION	DATE	APPROVED
1	ALL	A	50253	DRAFTING UPDATE	7/27/2018	HRC

**LATCH
(ACETAL)**

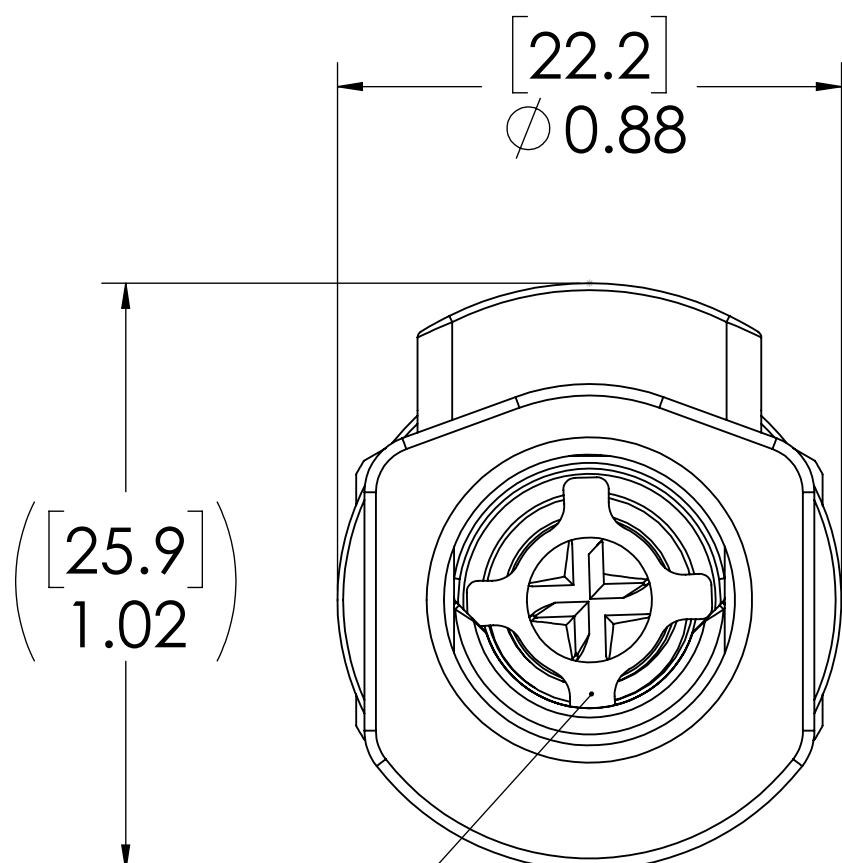


**SOCKET,
(ACETAL)**

**LATCH SPRING
(STAINLESS STEEL)**



**SECTION A-A
(PANEL OPENING)**



**VALVE
(ACETAL)**

**VALVE SPRING
INTERNAL
(STAINLESS
STEEL)**

**PANEL NUT
(BRASS NICKEL PLATED)
(PACKAGED SEPARATELY)**

11/16"-24 UNS THREAD

**VALVE O-RING
INTERNAL
(BUNA-N)**

NOTES:

- MATERIAL: ACETAL
- COLOR: NATURAL WHITE
- O-RING MATERIAL: BUNA-N
- O-RINGS LUBRICATED WITH FOOD GRADE SILICONE OIL, 350 CST.

FOR REFERENCE ONLY

<small>UNLESS OTHERWISE SPECIFIED: DIMENSIONS ARE IN INCHES TOLERANCES: FRACTIONAL ±1/32 ANGULAR: MACH ±0.5 BEND ±2 ONE PLACE DECIMAL ±0.1 TWO PLACE DECIMAL ±0.01 THREE PLACE DECIMAL ±0.005 TWO PLACE DUAL (mm) [±0.12]</small>	<small>DRAWN</small> CBH 8/23/2017		
	<small>CHECKED</small> HRC 8/23/2017		PART NO: 50ACV-SB3-04
	<small>ENG APPR.</small> HRC 7/27/18		<small>DESCRIPTION:</small> LinkTech 50AC Series Panel Mt. Female, Valved, 1/4" HB, Natural Acetal
	<small>MFG APPR.</small> BDB 7/27/18		<small>SIZE DWG. NO.</small> C 50AC500047
<small>PRODUCTION</small> LS 7/27/18	<small>REV</small> A	<small>SCALE: NTS WEIGHT:</small>	
<small>THE INFORMATION CONTAINED IN THIS DRAWING IS THE SOLE PROPERTY OF LINKTECH LLC. ANY REPRODUCTION OR DISCLOSURE IN PART OR AS A WHOLE WITHOUT THE WRITTEN PERMISSION OF LINKTECH LLC IS STRICTLY PROHIBITED.</small>	<small>COMMENTS:</small>	<small>SHEET 1 OF 1</small>	