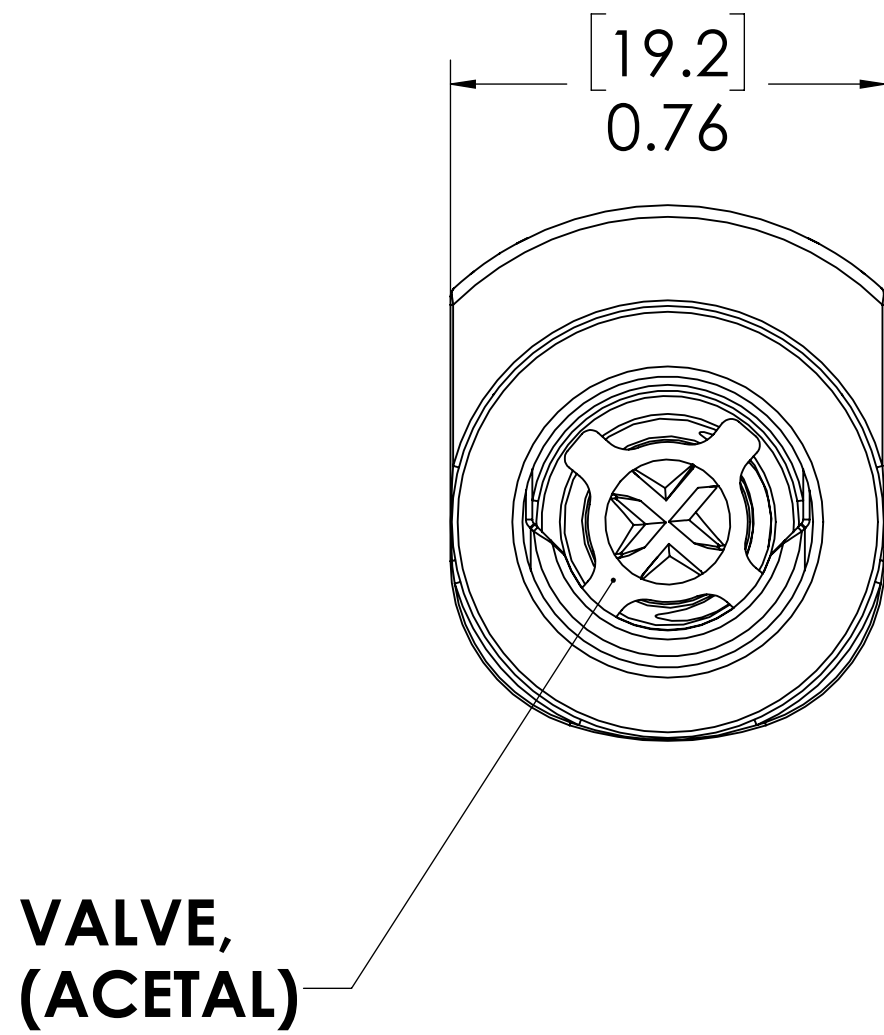
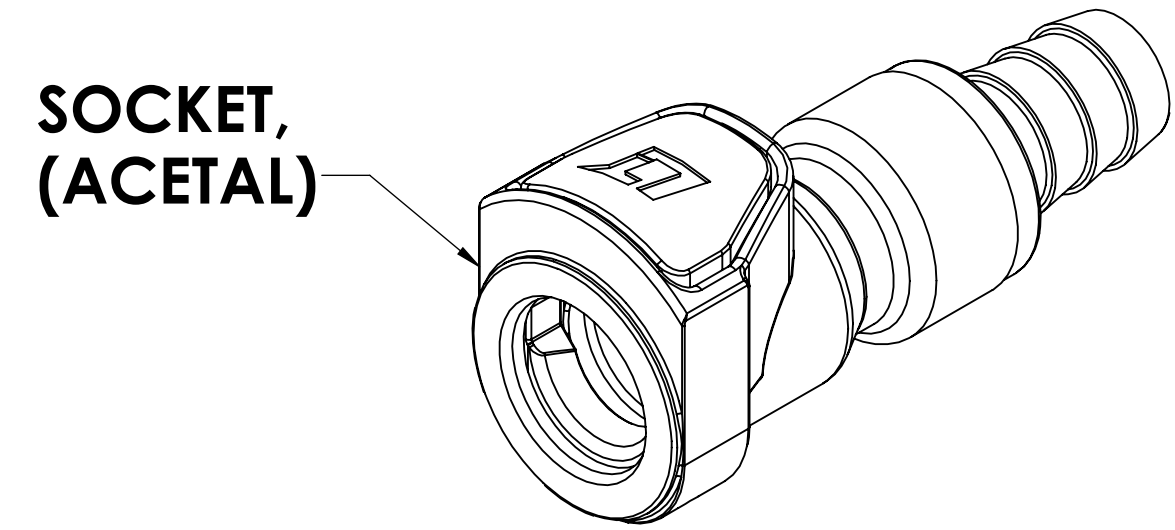
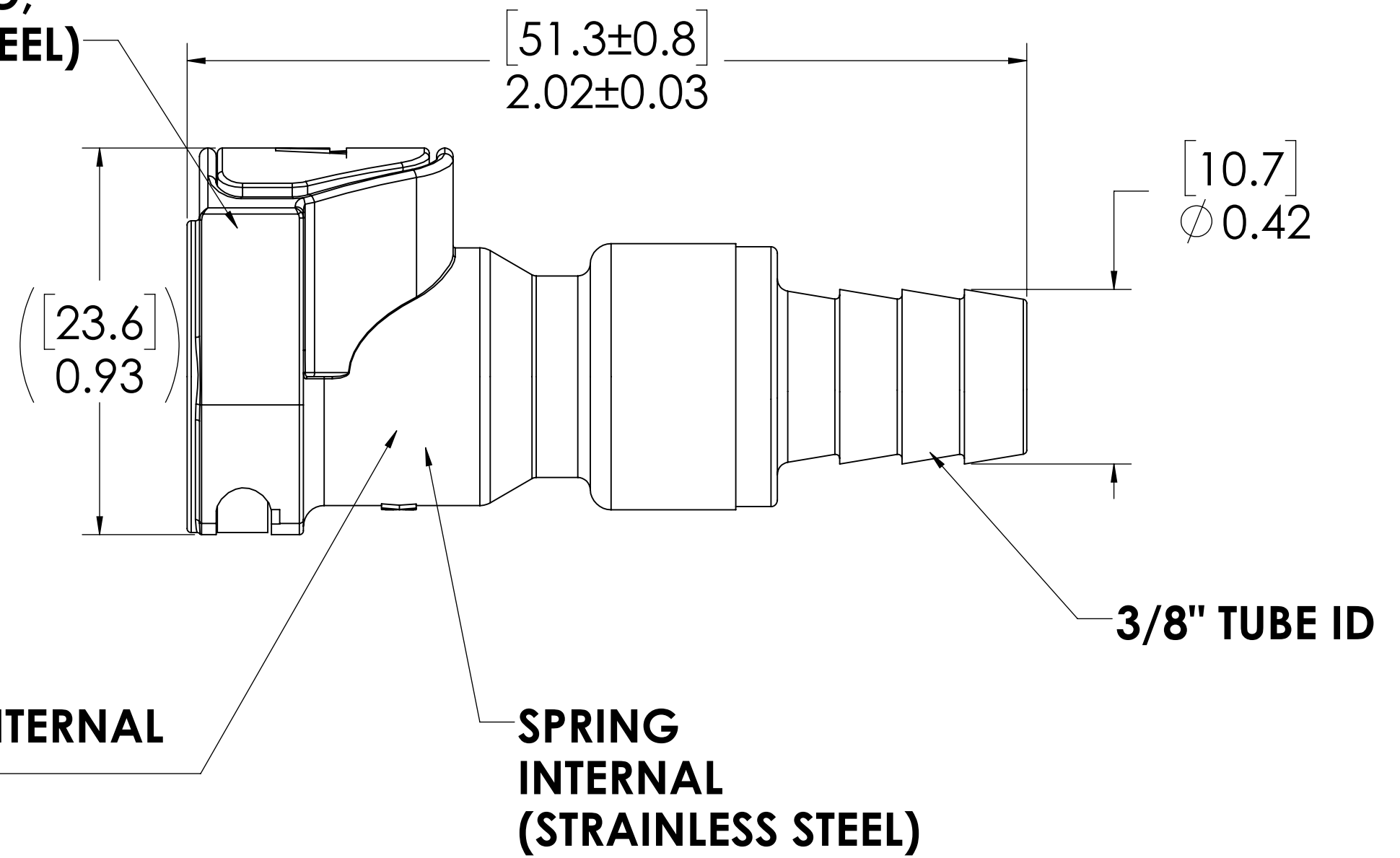


REVISIONS						
SHEET	ZONE	REV.	ECO	DESCRIPTION	DATE	APPROVED
1	ALL	A	50243	FORMAT UPDATE	2/6/2018	HRC



LATCH SPRING, (STAINLESS STEEL)



O-RING INTERNAL (BUNA-N)

SPRING INTERNAL (STAINLESS STEEL)

NOTES:

1. MATERIAL: ACETAL
2. COLOR: NATURAL WHITE
3. O-RING MATERIAL: BUNA-N
4. O-RINGS LUBRICATED WITH FOOD GRADE SILICONE OIL, 350 CST.

FOR REFERENCE ONLY

UNLESS OTHERWISE SPECIFIED:		NAME	DATE		
DIMENSIONS ARE IN INCHES		DRAWN	RDA		8/16/2017
TOLERANCES:		CHECKED	HRC		8/16/2017
FRACTIONAL ±1/32		ENG APPR.	HRC		02-06-18
ANGULAR: MACH ±0.5 BEND ±2		MFG APPR.	BDB	02-06-18	
ONE PLACE DECIMAL ±0.1		PRODUCTION	RK	02-06-18	
TWO PLACE DECIMAL ±0.01		COMMENTS:			
THREE PLACE DECIMAL ±0.005					
TWO PLACE DUAL (mm) [±0.12]					
PROPRIETARY AND CONFIDENTIAL THE INFORMATION CONTAINED IN THIS DRAWING IS THE SOLE PROPERTY OF LINKTECH LLC. ANY REPRODUCTION OR DISCLOSURE IN PART OR AS A WHOLE WITHOUT THE WRITTEN PERMISSION OF LINKTECH LLC IS STRICTLY PROHIBITED.					
PART NO: 50ACV-SB2-06 DESCRIPTION: LinkTech 50AC Series Straight Female, Valved, 375 HB, Natural Acetal					
SIZE	DWG. NO.	REV			
C	50AC500190	A			
SCALE: NTS	WEIGHT:	SHEET 1 OF 1			