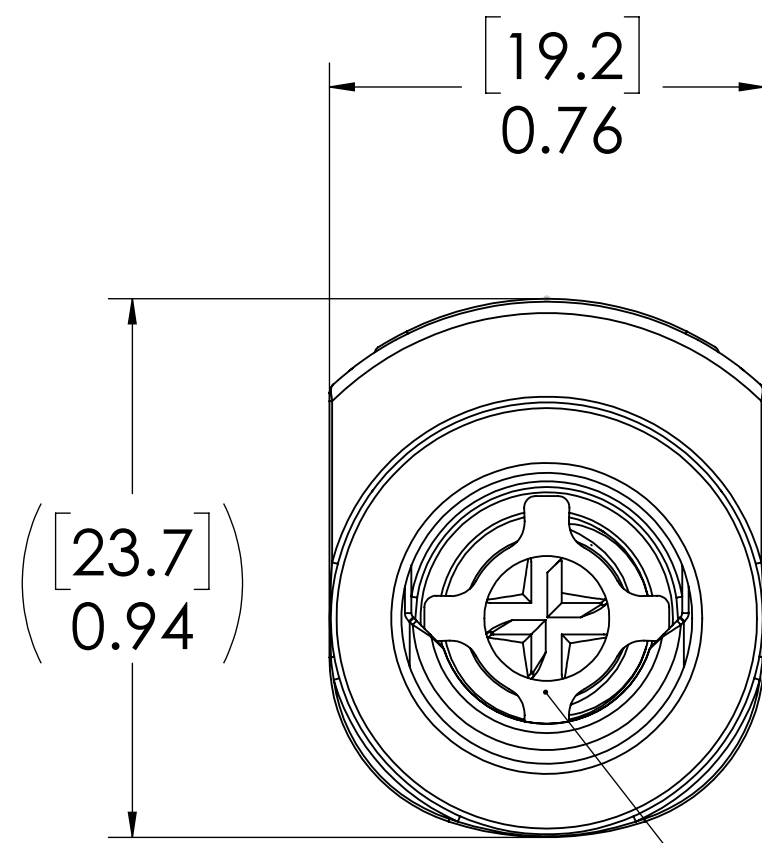
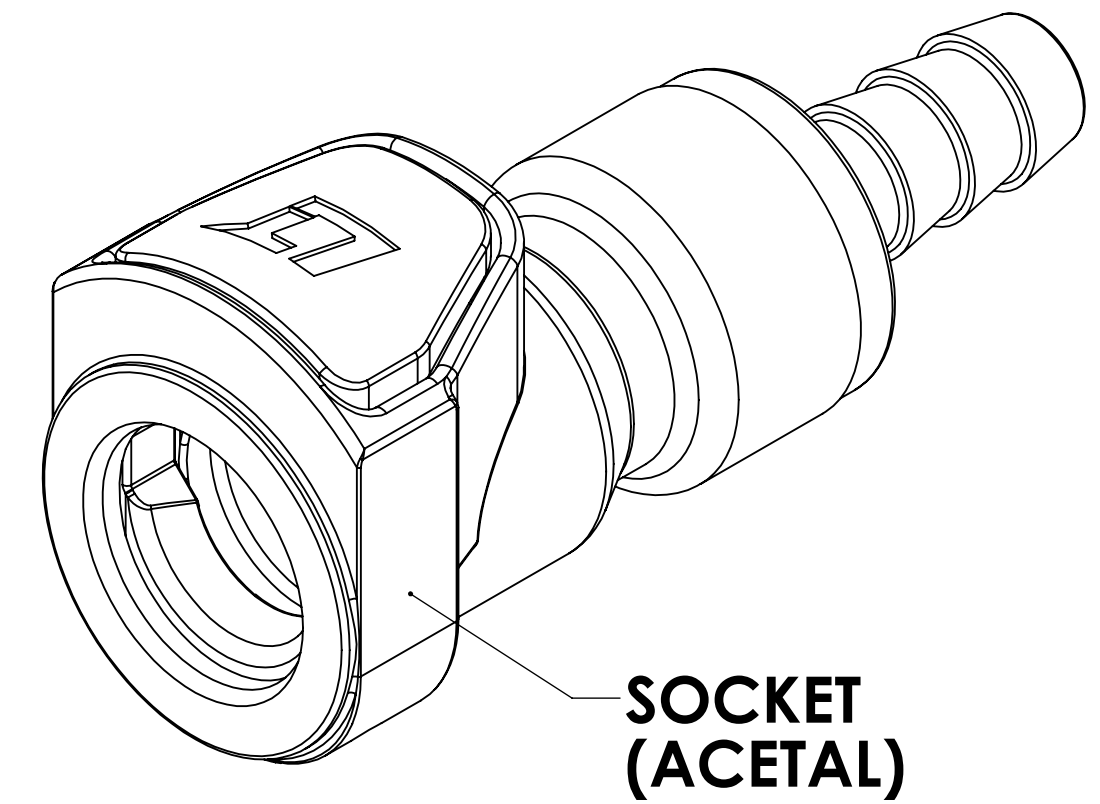
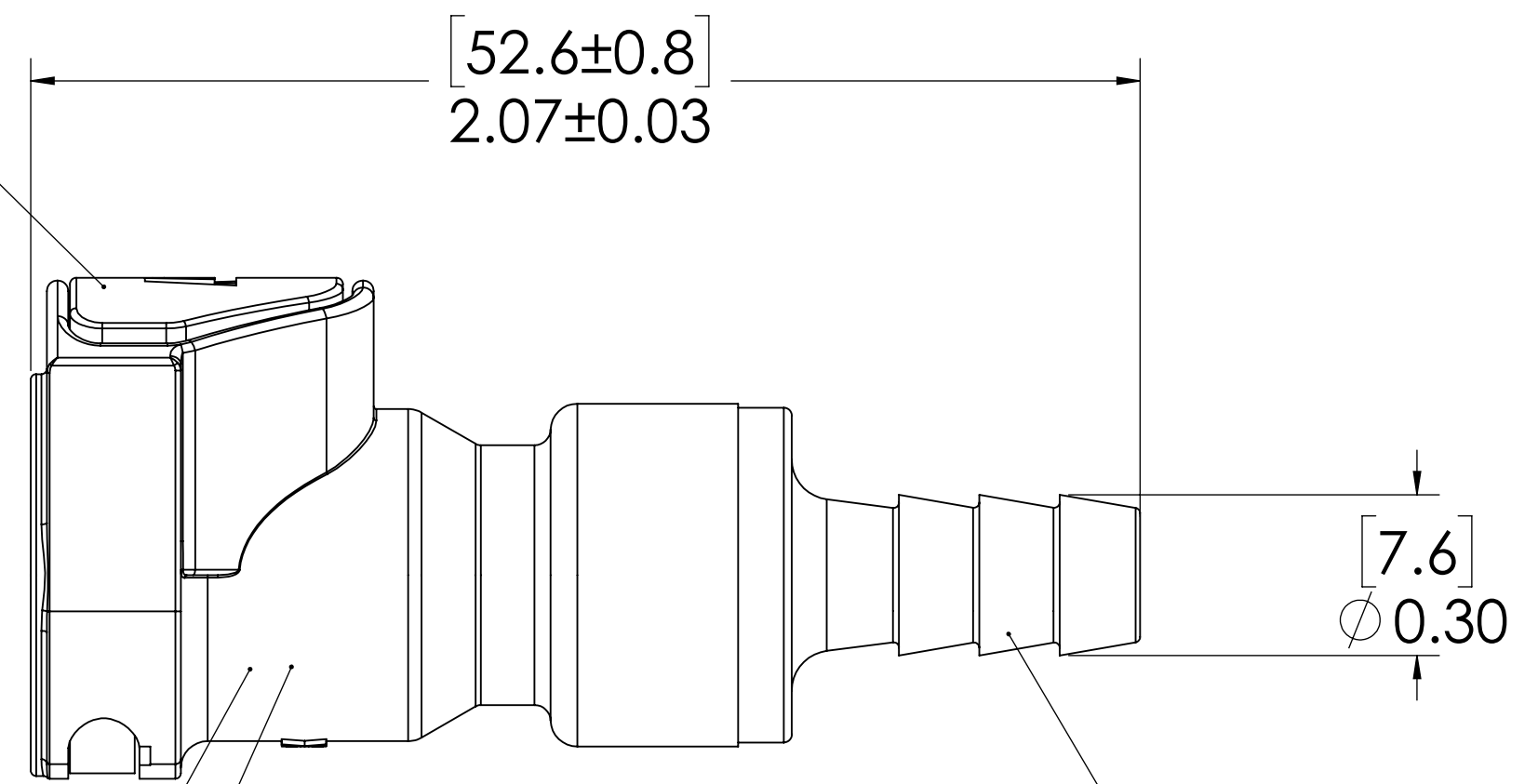


REVISIONS						
SHEET	ZONE	REV.	ECO	DESCRIPTION	DATE	APPROVED
1	ALL	A	50253	UPDATE DWG TO CURRENT FORMAT AND STANDARDS	2/13/2018	HRC



**VALVE (ACETAL)**

**LATCH (STAINLESS STEEL)**



**VALVE SPRING INTERNAL (STAINLESS STEEL)**

**VALVE O-RING INTERNAL (BUNA-N)**

**1/4" TUBE ID**

**NOTES:**

- MATERIAL: ACETAL
- COLOR: NATURAL WHITE
- O-RING MATERIAL: BUNA-N
- O-RINGS LUBRICATED WITH FOOD GRADE SILICONE OIL, 350 CST.

**FOR REFERENCE ONLY**

<small>UNLESS OTHERWISE SPECIFIED: DIMENSIONS ARE IN INCHES TOLERANCES: FRACTIONAL ±1/32 ANGULAR: MACH ±0.5 BEND ±2 ONE PLACE DECIMAL ±0.1 TWO PLACE DECIMAL ±0.01 THREE PLACE DECIMAL ±0.005 TWO PLACE DUAL (mm) [±0.12]</small>	DRAWN	HRC	08-05-16	
	CHECKED	HRC	08-05-16	
	ENG APPR.	HRC	02-13-18	
	MFG APPR.	BDB	02-13-18	
PROPRIETARY AND CONFIDENTIAL	Q.A.	JJB	02-13-18	<b>PART NO: 50ACV-SB2-04</b> DESCRIPTION: Linktech 50AC Series Straight Female, Valved, 1/4" HB, Natural Acetal
<small>THE INFORMATION CONTAINED IN THIS DRAWING IS THE SOLE PROPERTY OF LINKTECH LLC. ANY REPRODUCTION OR DISCLOSURE IN PART OR AS A WHOLE WITHOUT THE WRITTEN PERMISSION OF LINKTECH LLC IS STRICTLY PROHIBITED.</small>	COMMENTS:			SIZE DWG. NO. REV <b>C 50AC500188 A</b>
SCALE: NTS		WEIGHT:		SHEET 1 OF 1