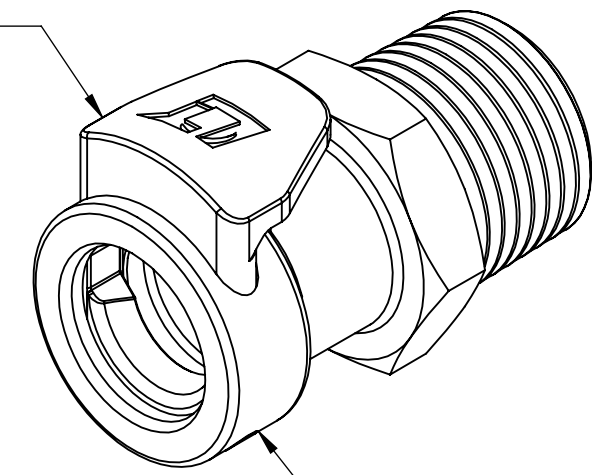
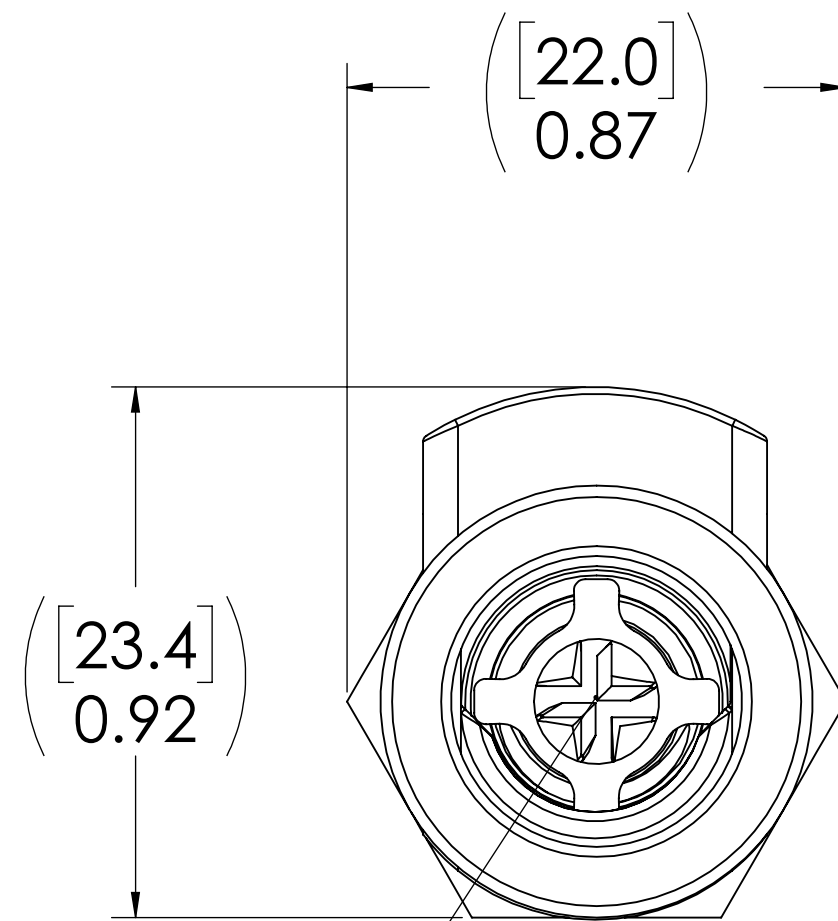


REVISIONS						
SHEET	ZONE	REV.	ECO	DESCRIPTION	DATE	APPROVED
1	ALL	A	S0253	DWG DRAFTING UPDATE	8/2/2018	HRC

**LATCH,
(ACETAL)**

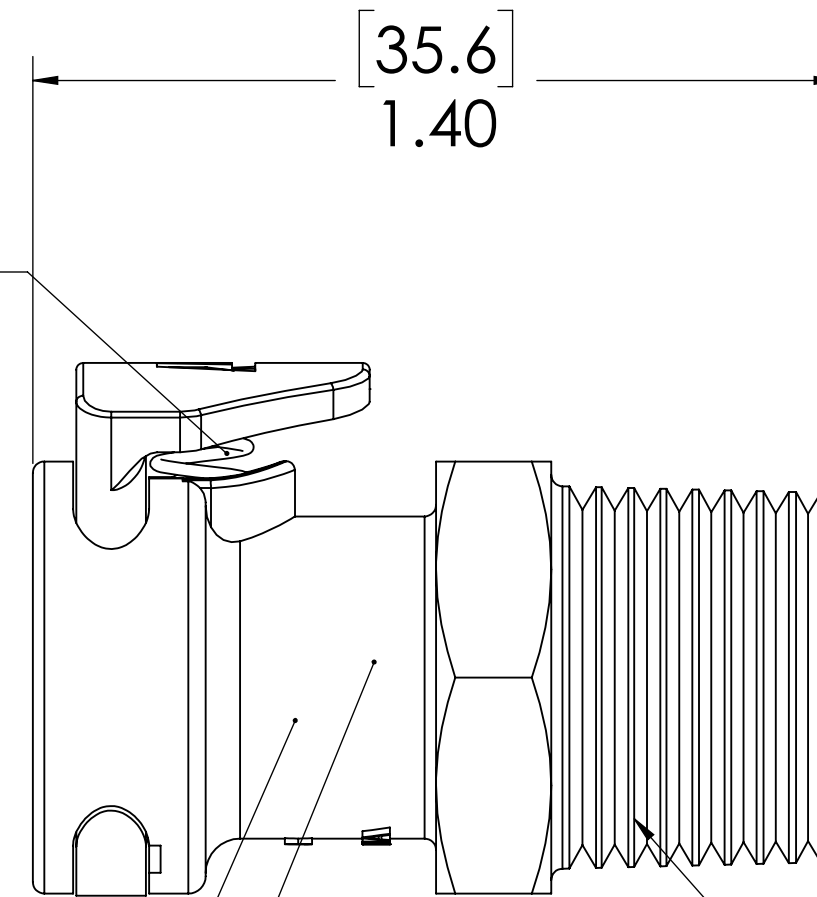


**SOCKET,
(ACETAL)**



**VALVE,
(ACETAL)**

**LATCH SPRING
(STAINLESS STEEL)**



**VALVE SPRING,
INTERNAL
(STAINLESS STEEL)**


**VALVE O-RING,
INTERNAL
(BUNA)**

**3/8" NPT
(PIPE THREAD)**

NOTES:

- MATERIAL: ACETAL
- COLOR: NATURAL WHITE
- O-RING MATERIAL: BUNA-N
- O-RINGS LUBRICATED WITH FOOD GRADE SILICONE OIL, 350 CST.

FOR REFERENCE ONLY

UNLESS OTHERWISE SPECIFIED:		NAME	DATE	 PART NO: 50ACV-SB1-06
DIMENSIONS ARE IN INCHES TOLERANCES: FRACTIONAL ± 1/32 ANGULAR: MACH ± 0.5 BEND ± 2 ONE PLACE DECIMAL ± 0.1 TWO PLACE DECIMAL ± 0.01 THREE PLACE DECIMAL ± 0.005 TWO PLACE DUAL (mm) [± 0.12]		DRAWN	CBH	
PROPRIETARY AND CONFIDENTIAL THE INFORMATION CONTAINED IN THIS DRAWING IS THE SOLE PROPERTY OF LINKTECH LLC. ANY REPRODUCTION OR DISCLOSURE IN PART OR AS A WHOLE WITHOUT THE WRITTEN PERMISSION OF LINKTECH LLC IS STRICTLY PROHIBITED.		CHECKED	HRC	7/12/2017
		ENG APPR.	HRC	8/2/18
		MFG APPR.	BDB	8/2/18
		PRODUCTION	LS	8/2/18
		COMMENTS:		DESCRIPTION: LinkTech 50AC Series Male Thread Female, Valved, 3/8" MNPT, Natural Acetal
		SIZE	DWG. NO.	REV
		C	50AC500264	A
		SCALE: NTS	WEIGHT:	SHEET 1 OF 1