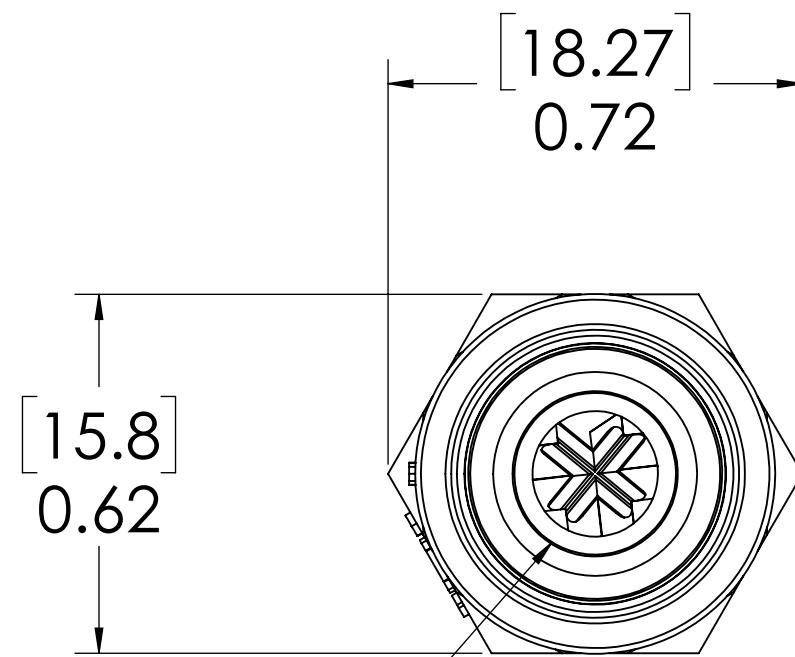
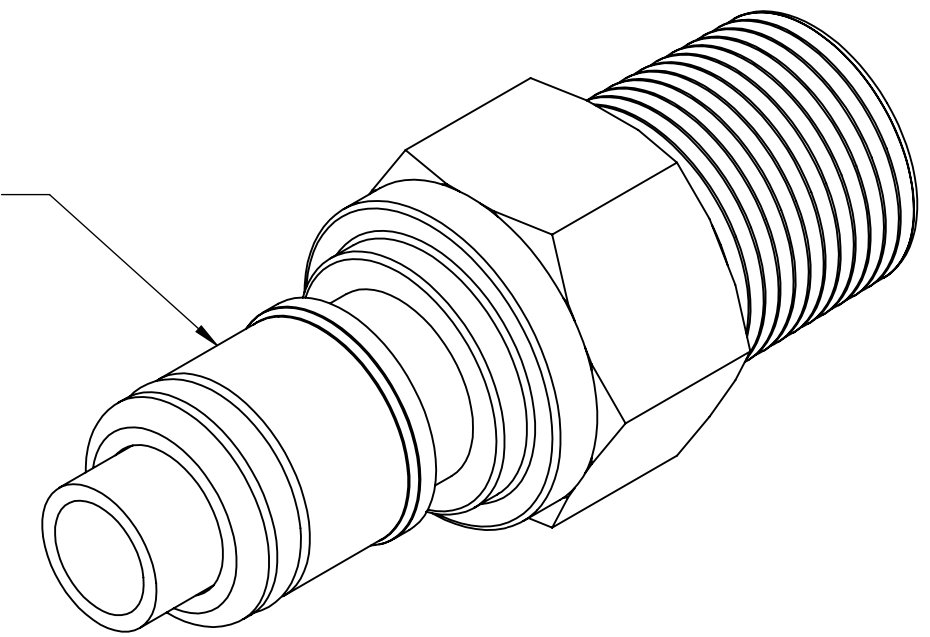
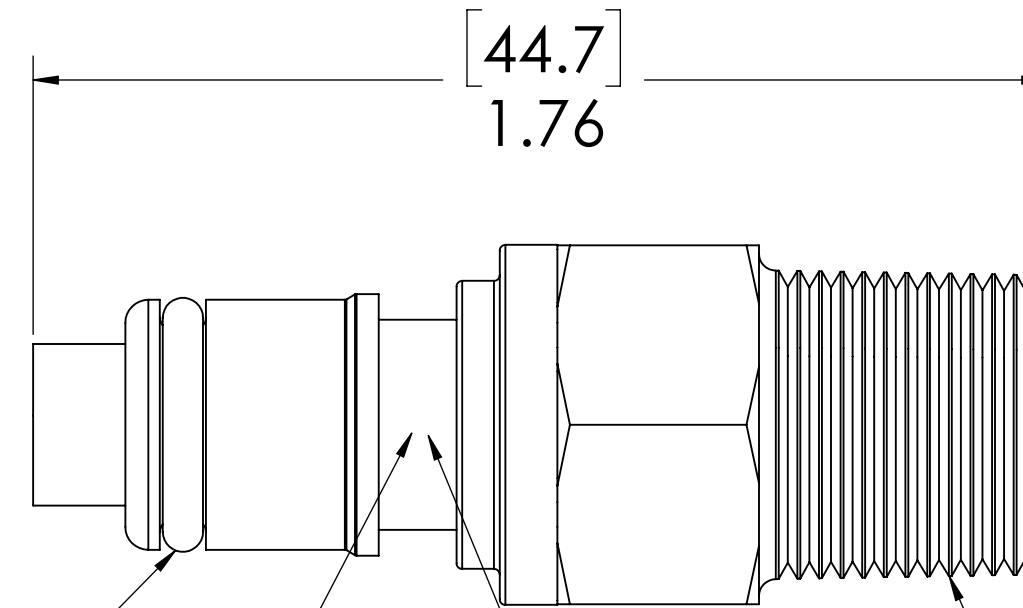


REVISIONS						
SHEET	ZONE	REV.	ECO	DESCRIPTION	DATE	APPROVED
1	ALL	A	50253	2017 FORMAT UPDATE	8/16/2017	

**PLUG,  
(ACETAL)**



**VALVE,  
(ACETAL)**



**O-RING,  
EXTERNAL  
(BUNA-N)**

**VALVE O-RING,  
INTERNAL  
(BUNA-N)**

**VALVE SPRING,  
INTERNAL  
(STAINLESS STEEL)**

**1/4" NPT  
(PIPE THREAD)**

**NOTES:**

- MATERIAL: ACETAL
- COLOR: NATURAL WHITE
- O-RING MATERIAL: BUNA-N
- O-RINGS LUBRICATED WITH FOOD GRADE SILICONE OIL, 350 CST.

**FOR REFERENCE ONLY**

UNLESS OTHERWISE SPECIFIED:		NAME	DATE	
DIMENSIONS ARE IN INCHES		DRAWN	RDA	
TOLERANCES:		CHECKED	HRC	8/16/2017
FRACTIONAL ± 1/32		ENG APPR.	HRC	01-08-18
ANGULAR: MACH ± 0.5 BEND ± 2		MFG APPR.	BDB	01-08-18
ONE PLACE DECIMAL ± 0.1		PRODUCTION	RK	01-08-18
TWO PLACE DECIMAL ± 0.01		COMMENTS:		
THREE PLACE DECIMAL ± 0.005				
TWO PLACE DUAL (mm) [±0.12]				
<b>PROPRIETARY AND CONFIDENTIAL</b> THE INFORMATION CONTAINED IN THIS DRAWING IS THE SOLE PROPERTY OF LINKTECH LLC. ANY REPRODUCTION OR DISCLOSURE IN PART OR AS A WHOLE WITHOUT THE WRITTEN PERMISSION OF LINKTECH LLC IS STRICTLY PROHIBITED.				
PART NO: <b>50ACV-PB1-04</b> DESCRIPTION: <b>LinkTech 50AC Series Male, Valved, 250 mnpt, Natural Acetal</b>		SIZE	DWG. NO.	REV
		<b>C</b>	<b>50AC500260</b>	<b>A</b>
SCALE: NTS		WEIGHT:	SHEET 1 OF 1	