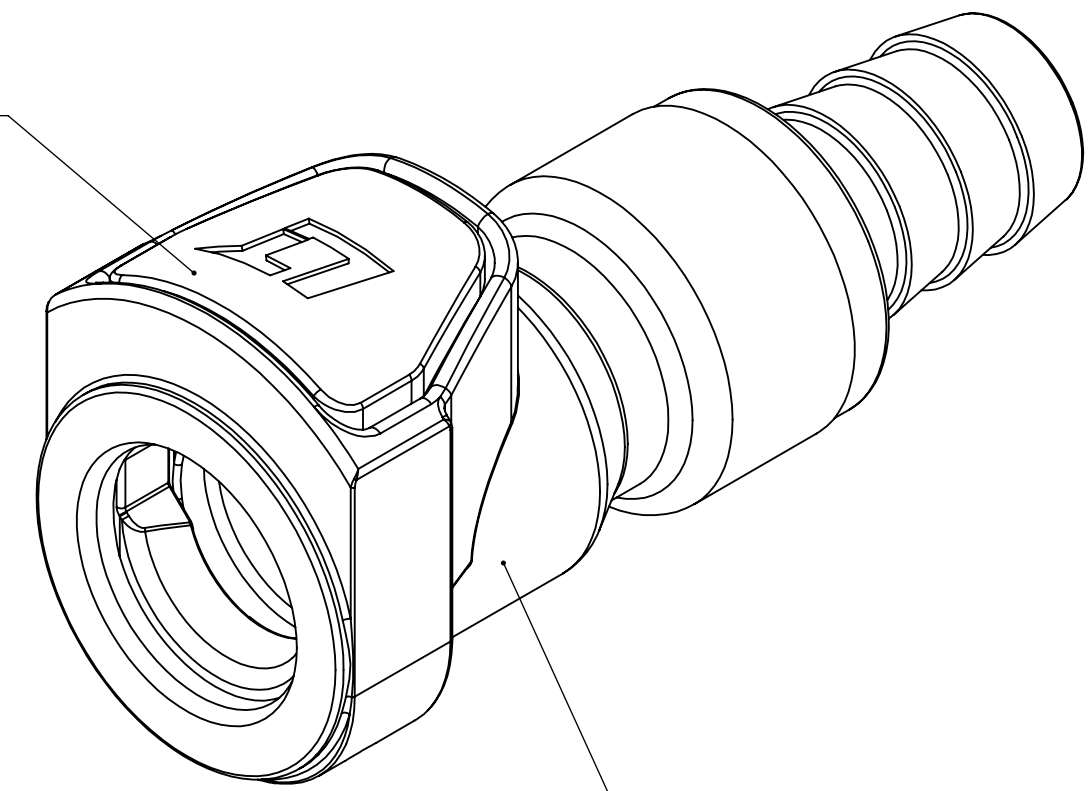
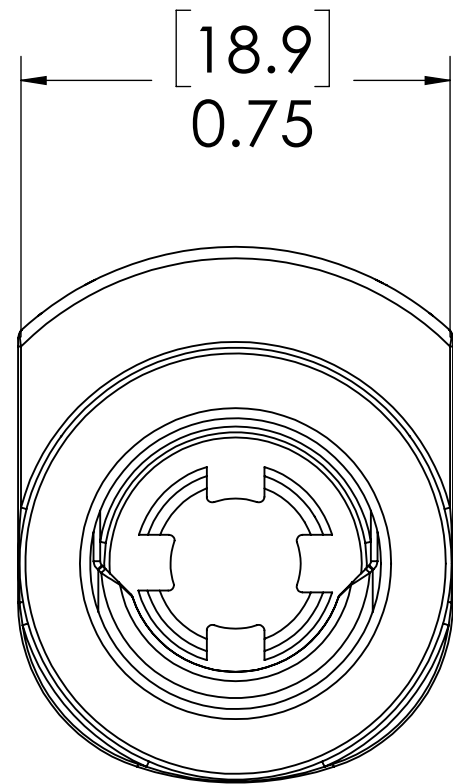


REVISIONS						
SHEET	ZONE	REV.	ECO	DESCRIPTION	DATE	APPROVED
1	ALL	A	50253	UPDATE DWG TO CURRENT FORMAT & STANDARDS		

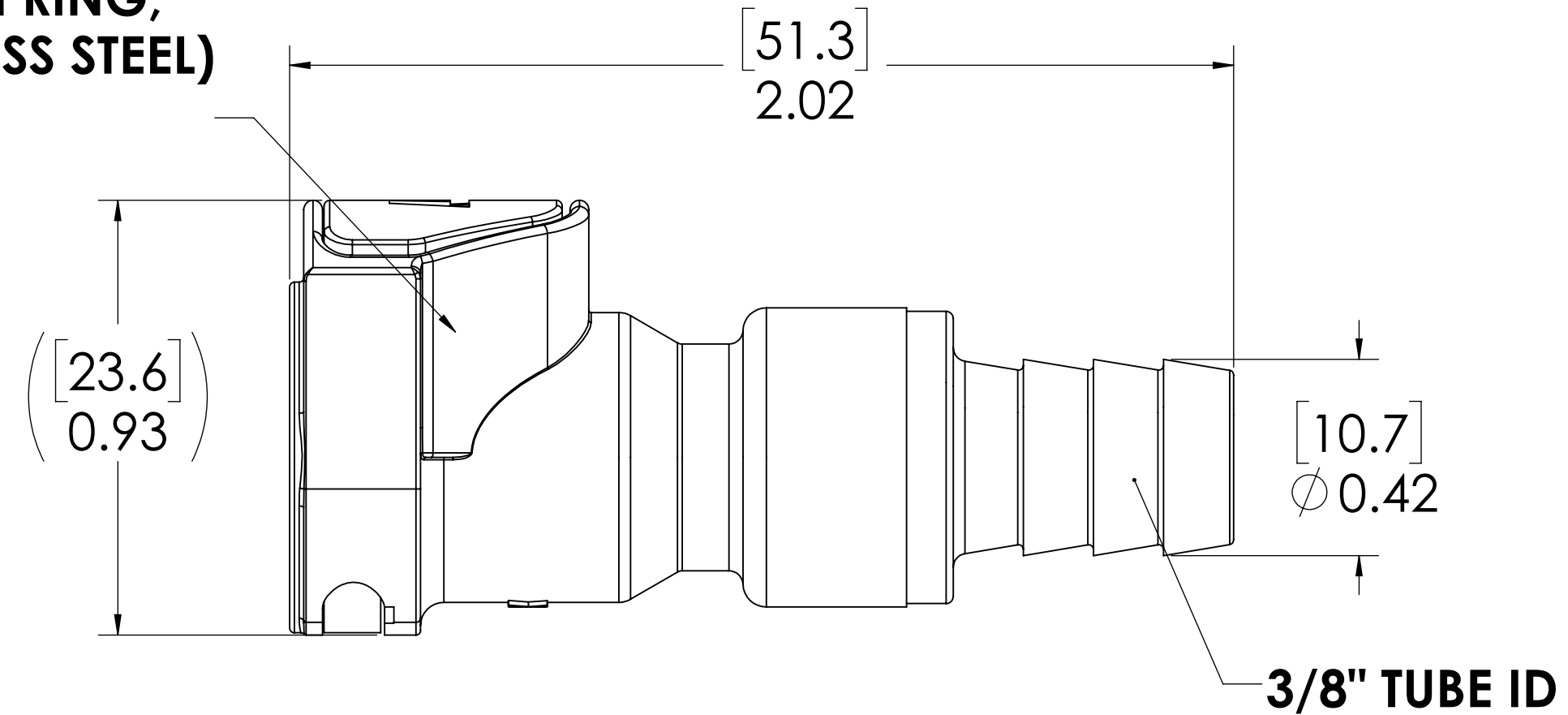
**LATCH,
(ACETAL)**



**SOCKET,
(ACETAL)**




**LATCH SPRING,
(STAINLESS STEEL)**



NOTES:

- MATERIAL: ACETAL
- COLOR: NATURAL WHITE

FOR REFERENCE ONLY

<small>UNLESS OTHERWISE SPECIFIED: DIMENSIONS ARE IN INCHES TOLERANCES: FRACTIONAL ± 1/32 ANGULAR: MACH ± 0.5 BEND ± 2 ONE PLACE DECIMAL ± 0.1 TWO PLACE DECIMAL ± 0.01 THREE PLACE DECIMAL ± 0.005 TWO PLACE DUAL (mm) [± 0.12]</small>	DRAWN	NAME	DATE	 PART NO: 50AC-S2-06LB DESCRIPTION: LinkTech 50AC Series Straight Female, Non-valved, 3/8" HB, Long Body, Natural Acetal
	CHECKED	HRC	08-05-16	
	ENG APPR.	HRC	02-13-18	
	MFG APPR.	BDB	02-13-18	
<small>PROPRIETARY AND CONFIDENTIAL</small> THE INFORMATION CONTAINED IN THIS DRAWING IS THE SOLE PROPERTY OF LINKTECH LLC. ANY REPRODUCTION OR DISCLOSURE IN PART OR AS A WHOLE WITHOUT THE WRITTEN PERMISSION OF LINKTECH LLC IS STRICTLY PROHIBITED.	Q.A.	JJB	02-13-18	SIZE DWG. NO. REV C 50AC500183 A
COMMENTS:			SCALE: NTS WEIGHT:	SHEET 1 OF 1