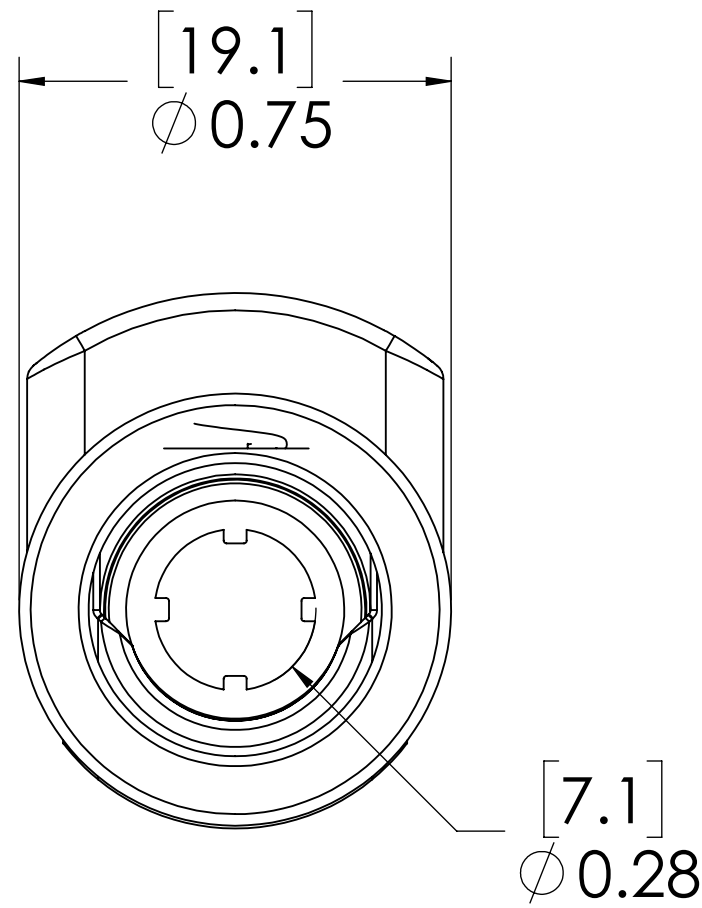
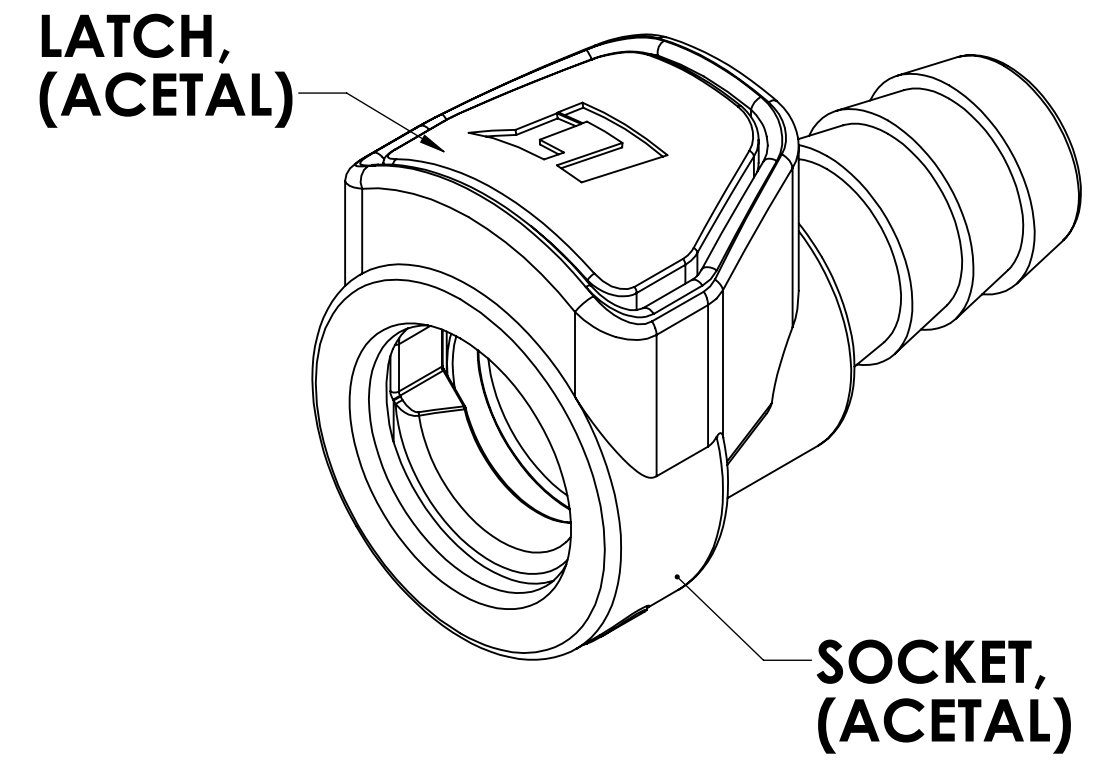
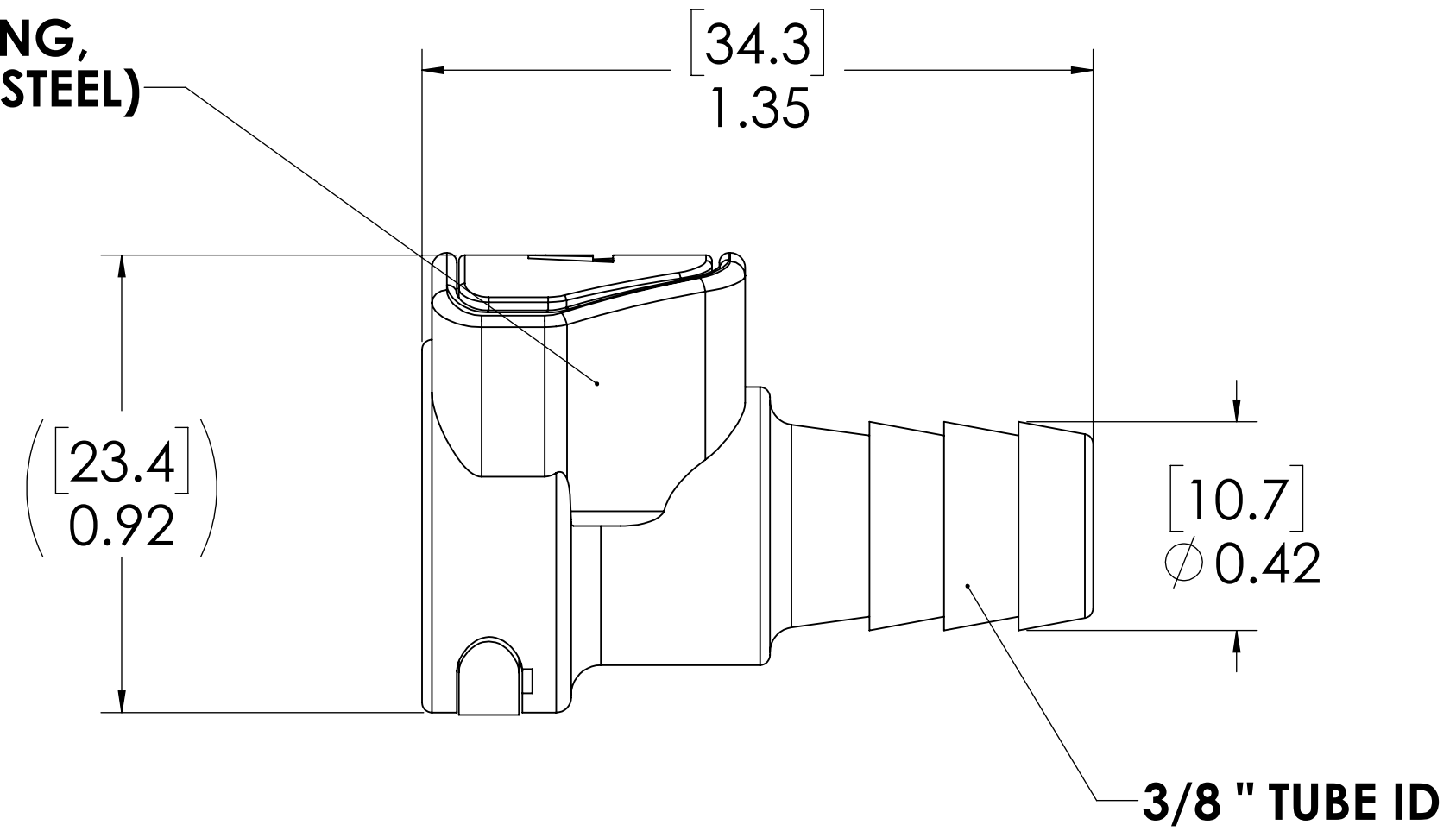


REVISIONS						
SHEET	ZONE	REV.	ECO	DESCRIPTION	DATE	APPROVED
1	ALL	A	50253	DWG FORMAT UPDATE	4/12/2018	HRC



**LATCH SPRING, (STAINLESS STEEL)**



**NOTES:**

- MATERIAL: ACETAL
- COLOR: NATURAL WHITE

**FOR REFERENCE ONLY**

<small>UNLESS OTHERWISE SPECIFIED: DIMENSIONS ARE IN INCHES TOLERANCES: FRACTIONAL ± 1/32 ANGULAR, MACH ± 0.5 BEND ± 2 ONE PLACE DECIMAL ± 0.1 TWO PLACE DECIMAL ± 0.01 THREE PLACE DECIMAL ± 0.005 TWO PLACE DUAL (mm) [± 0.12]</small>	DRAWN	ER	10-23-17							
	CHECKED	HRC	10-23-17							
	ENG APPR.	HRC	4-12-18							
	MFG APPR.	BDB	4-12-18							
<small>PROPRIETARY AND CONFIDENTIAL THE INFORMATION CONTAINED IN THIS DRAWING IS THE SOLE PROPERTY OF LINKTECH LLC. ANY REPRODUCTION OR DISCLOSURE IN PART OR AS A WHOLE WITHOUT THE WRITTEN PERMISSION OF LINKTECH LLC IS STRICTLY PROHIBITED.</small>	PURCHASING	RK	4-12-18	<b>PART NO:</b> 50AC-S2-06  <b>DESCRIPTION:</b> LinkTech 50AC Series Straight Female, Non-valved, 3/8" HB, Short Body, Natural Acetal						
<small>COMMENTS:</small>				<table border="1"> <tr> <td>SIZE</td> <td>DWG. NO.</td> <td>REV</td> </tr> <tr> <td>C</td> <td>50AC500263</td> <td>A</td> </tr> </table>	SIZE	DWG. NO.	REV	C	50AC500263	A
SIZE	DWG. NO.	REV								
C	50AC500263	A								
<small>SCALE: NTS WEIGHT:</small>			<small>SHEET 1 OF 1</small>							