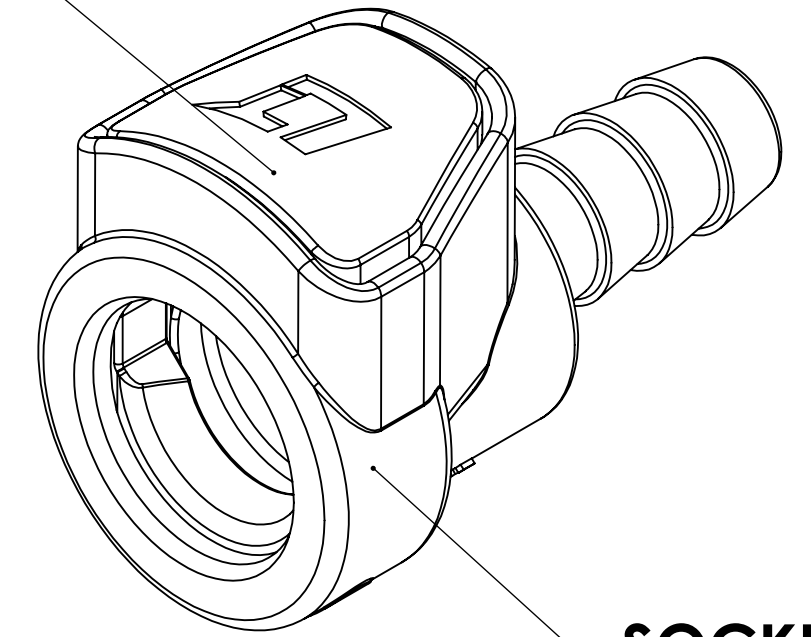


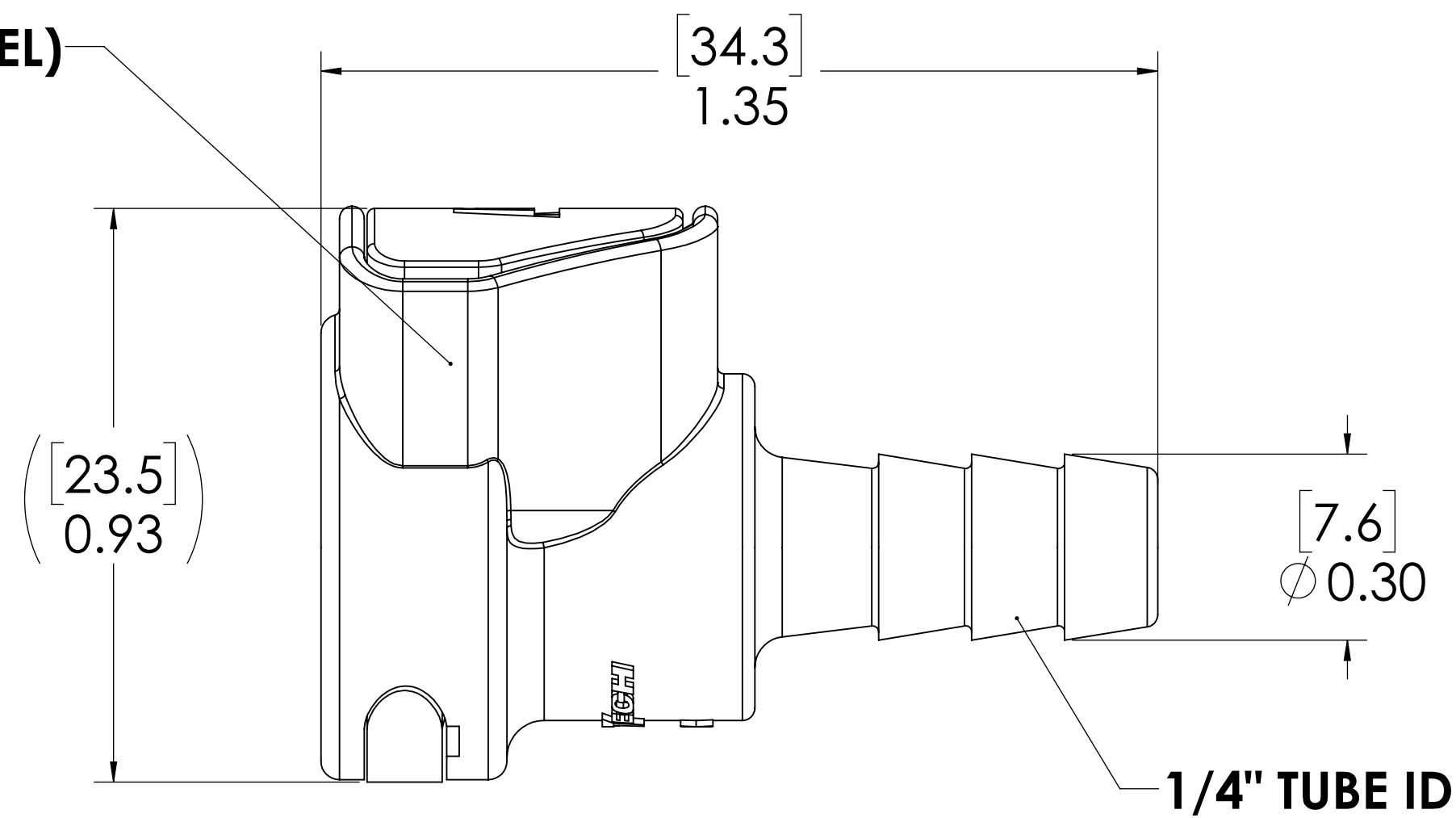
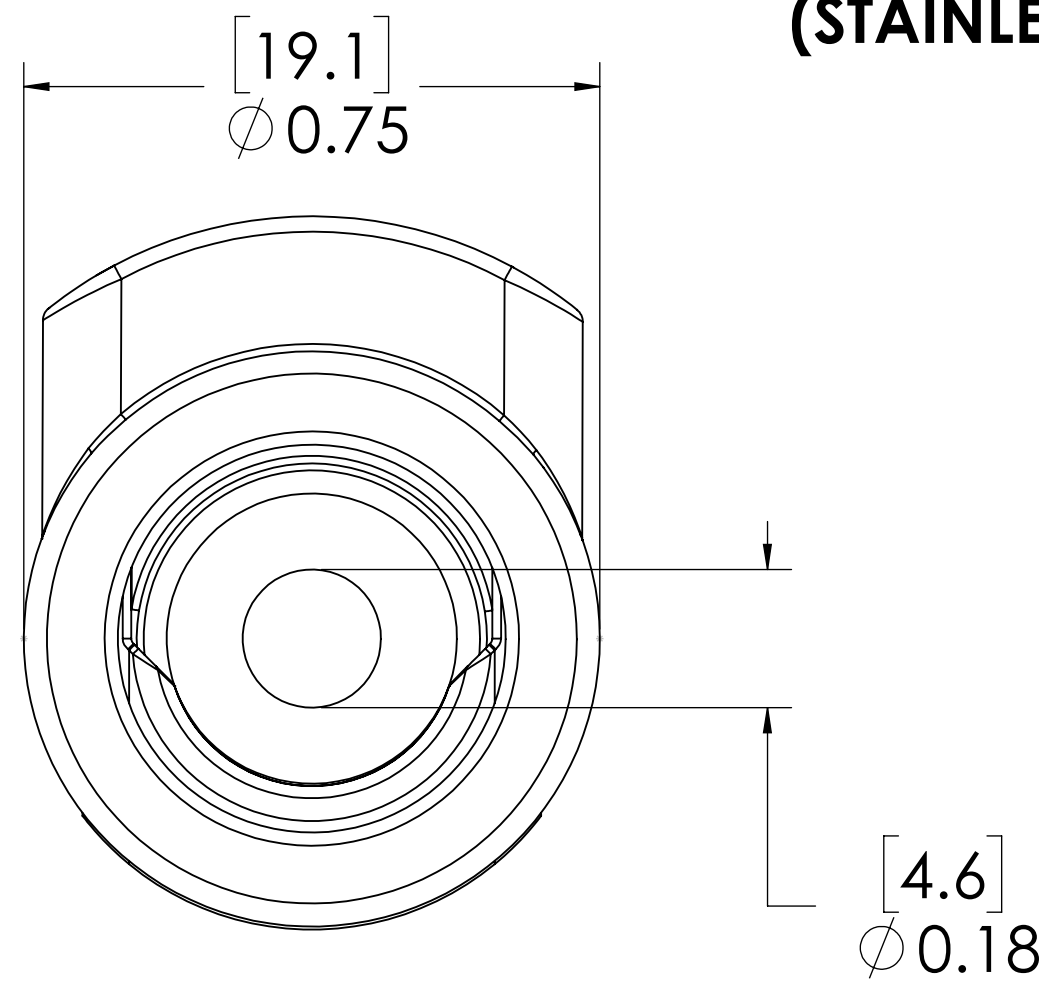
REVISIONS						
SHEET	ZONE	REV.	ECO	DESCRIPTION	DATE	APPROVED
1	ALL	A	50253	2017 FORMAT UPDATE	7/9/2018	HRC

**LATCH,  
(ACETAL)**



**SOCKET,  
(ACETAL)**

**LATCH SPRING,  
INTERNAL  
(STAINLESS STEEL)**



**FOR REFERENCE ONLY**

**NOTES:**

- MATERIAL: ACETAL
- COLOR: NATURAL WHITE

<small>UNLESS OTHERWISE SPECIFIED: DIMENSIONS ARE IN INCHES TOLERANCES: FRACTIONAL ± 1/32 ANGULAR, MACH ± 0.5 BEND ± 2 ONE PLACE DECIMAL ± 0.1 TWO PLACE DECIMAL ± 0.01 THREE PLACE DECIMAL ± 0.005 TWO PLACE DUAL (mm) [± 0.12]</small>	DRAWN	ER	08-01-17	
	CHECKED	HRC	08-01-17	
	ENG APPR.	HRC	7/9/18	
	MFG APPR.	BDB	7/9/18	
PRODUCTION	LS	7/9/18		<b>PART NO: 50AC-S2-04</b> <b>DESCRIPTION: LinkTech 50AC Series Straight Female, Non-valved, 1/4" HB, Natural Acetal</b>
<small>PROPRIETARY AND CONFIDENTIAL THE INFORMATION CONTAINED IN THIS DRAWING IS THE SOLE PROPERTY OF LINKTECH LLC. ANY REPRODUCTION OR DISCLOSURE IN PART OR AS A WHOLE WITHOUT THE WRITTEN PERMISSION OF LINKTECH LLC IS STRICTLY PROHIBITED.</small>	COMMENTS:			<b>SIZE DWG. NO. REV</b> <b>C 50AC500179 A</b>
	SCALE: NTS		WEIGHT:	SHEET 1 OF 1