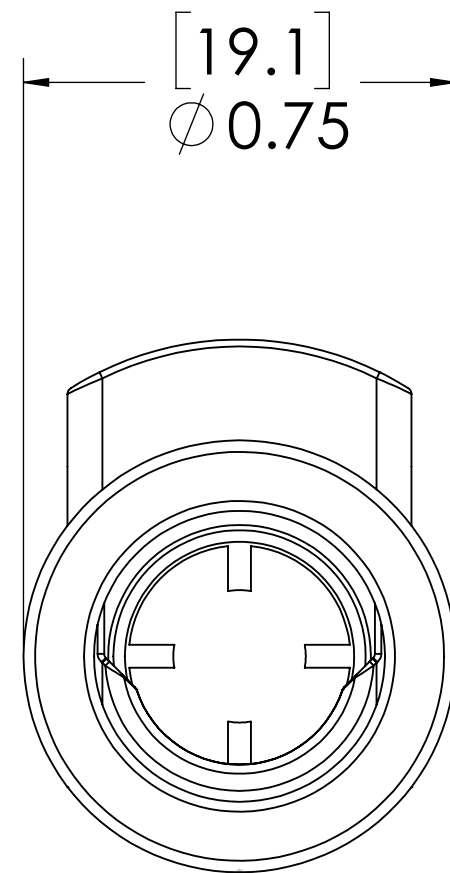
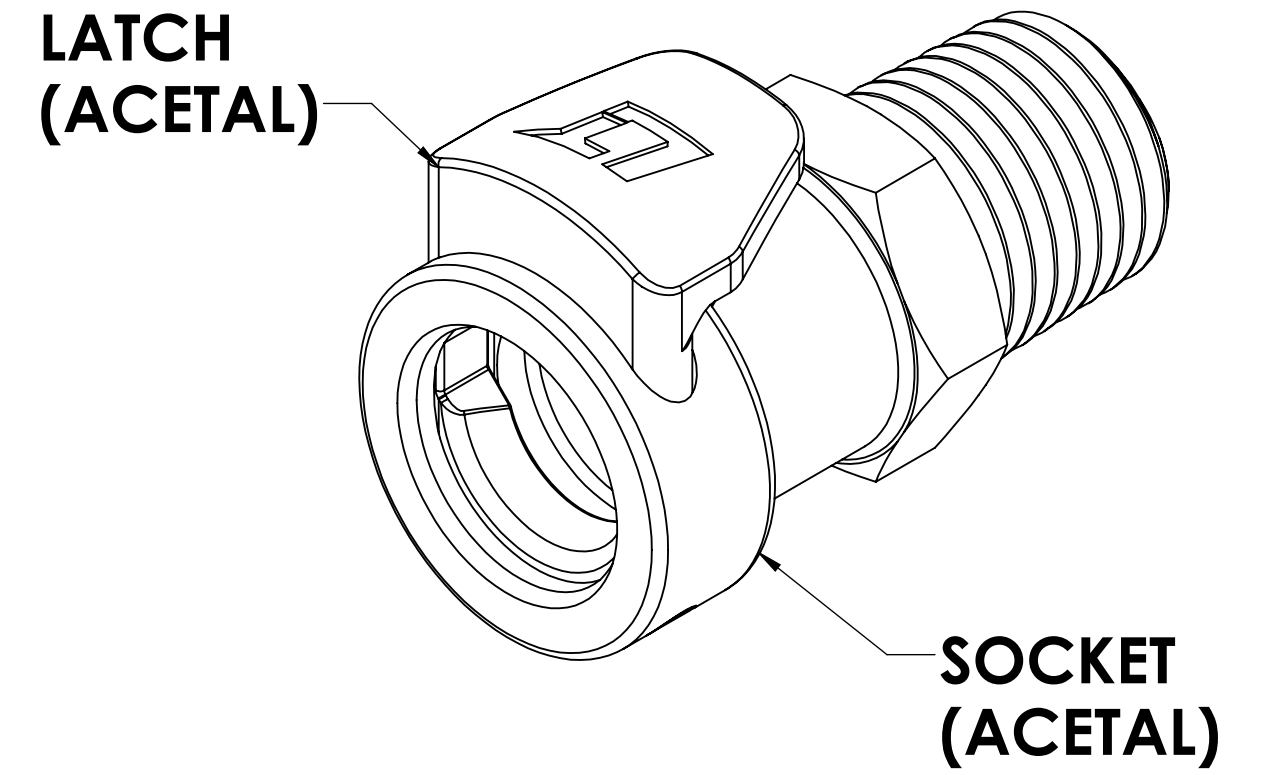
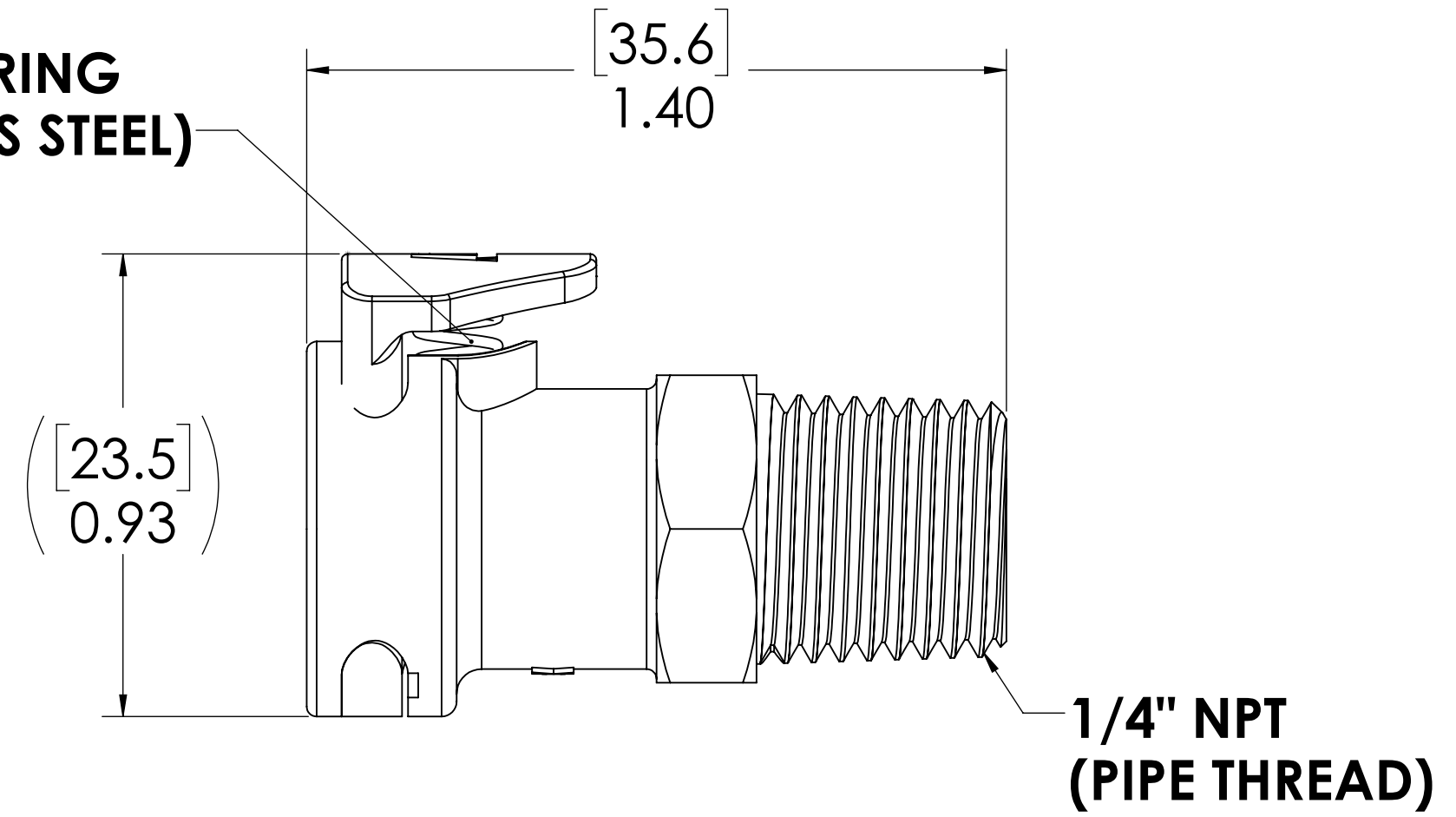


REVISIONS						
SHEET	ZONE	REV.	ECO	DESCRIPTION	DATE	APPROVED
1	ALL	A	50241	SUPPRESSED OLD ASSEMBLY, UPDATE DWG FORMAT AND NOTES	4/26/2017	HRC
ALL	ALL	B	50253	2017 FORMAT UPDATE	4/26/2018	HRC




LATCH SPRING (STAINLESS STEEL)



NOTES:

- MATERIAL: ACETAL
- COLOR: NATURAL WHITE

FOR REFERENCE ONLY

<small>UNLESS OTHERWISE SPECIFIED: DIMENSIONS ARE IN INCHES TOLERANCES: FRACTIONAL ± 1/32 ANGULAR, MACH: ± 0.5 BEND ± 2 ONE PLACE DECIMAL ± 0.1 TWO PLACE DECIMAL ± 0.01 THREE PLACE DECIMAL ± 0.005 TWO PLACE DUAL (mm) [± 0.12]</small>	DRAWN	NAME	DATE	 PART NO: 50AC-S1-04 DESCRIPTION: LinkTech 50AC Series Male Thread Female, Non-Valved, 1/4" MNPT Natural Acetal						
	CHECKED	HRC	4/19/17							
	ENG APPR.	HRC	4/26/18							
	MFG APPR.	BDB	4/26/18							
PRODUCTION	RK	4/26/18		<table border="1"> <tr> <td>SIZE</td> <td>DWG. NO.</td> <td>REV</td> </tr> <tr> <td>C</td> <td>50AC500241</td> <td>B</td> </tr> </table>	SIZE	DWG. NO.	REV	C	50AC500241	B
SIZE	DWG. NO.	REV								
C	50AC500241	B								
<small>PROPRIETARY AND CONFIDENTIAL THE INFORMATION CONTAINED IN THIS DRAWING IS THE SOLE PROPERTY OF LINKTECH LLC. ANY REPRODUCTION OR DISCLOSURE IN PART OR AS A WHOLE WITHOUT THE WRITTEN PERMISSION OF LINKTECH LLC IS STRICTLY PROHIBITED.</small>			COMMENTS:	<table border="1"> <tr> <td>SCALE: NTS</td> <td>WEIGHT:</td> <td>SHEET 1 OF 1</td> </tr> </table>	SCALE: NTS	WEIGHT:	SHEET 1 OF 1			
SCALE: NTS	WEIGHT:	SHEET 1 OF 1								