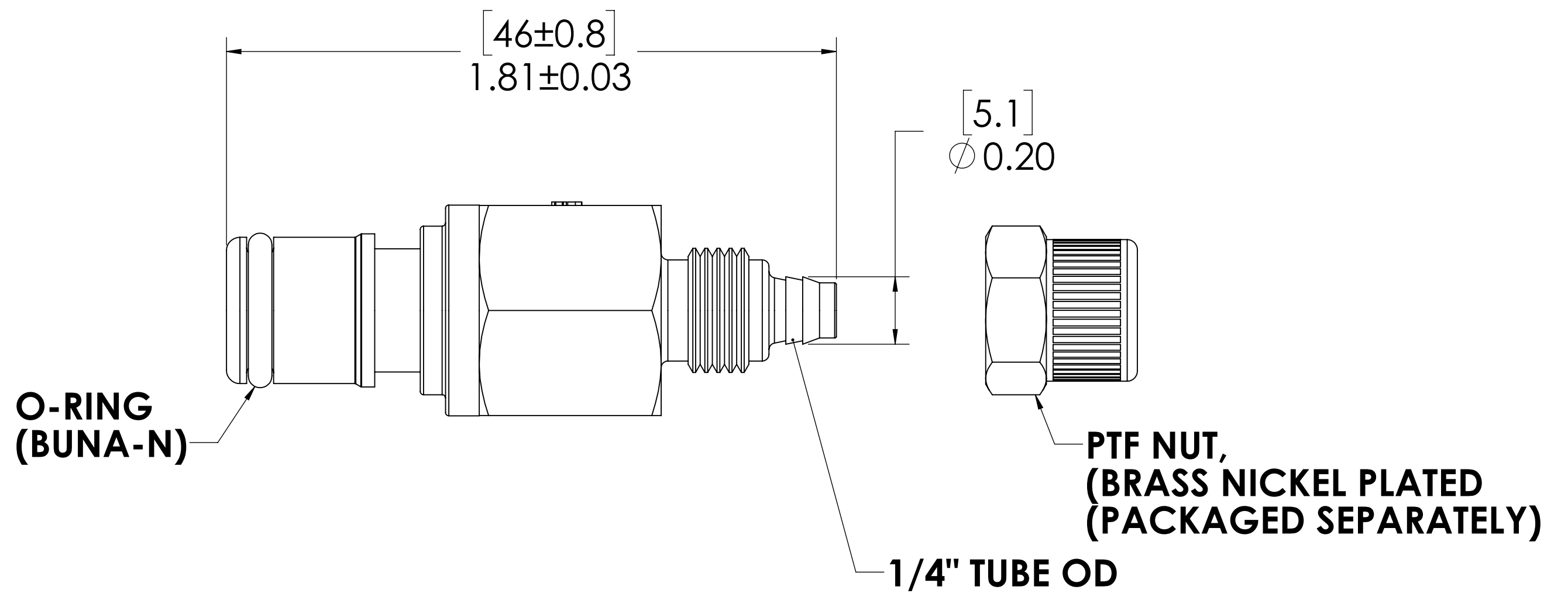
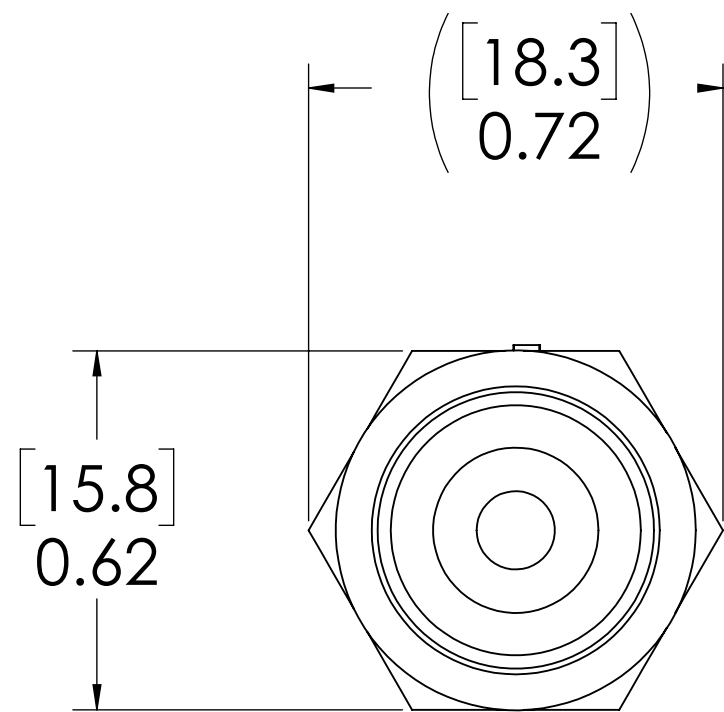
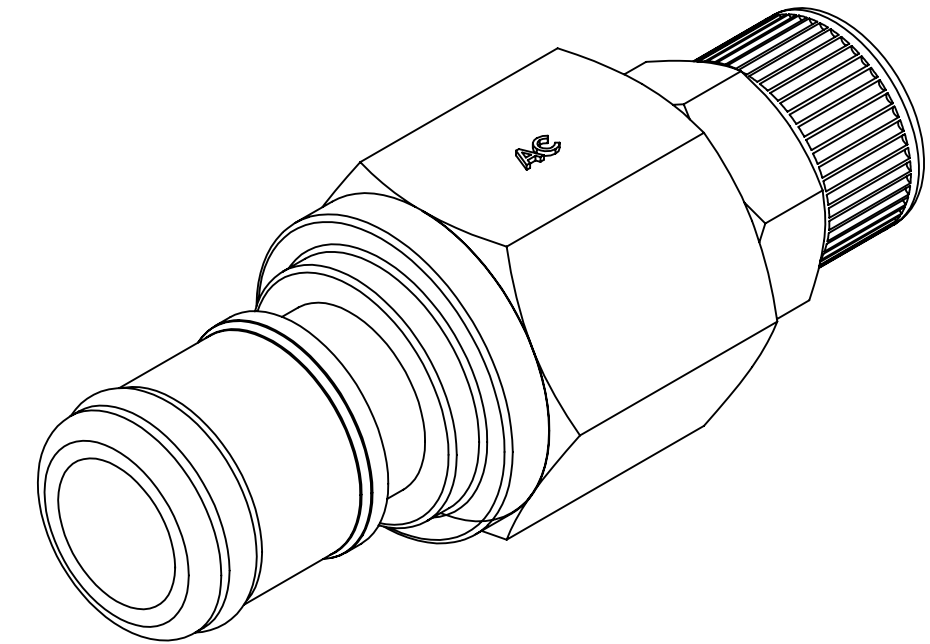


REVISIONS						
SHEET	ZONE	REV.	ECO	DESCRIPTION	DATE	APPROVED
1	ALL	A	50253	2017 FORMAT UPDATE	8/9/2018	HRC



**NOTES:**

- MATERIAL: ACETAL
- COLOR: NATURAL WHITE
- O-RING MATERIAL: BUNA-N
- O-RINGS LUBRICATED WITH FOOD GRADE SILICONE OIL, 350 CST.

**FOR REFERENCE ONLY**

<small>UNLESS OTHERWISE SPECIFIED: DIMENSIONS ARE IN INCHES TOLERANCES: FRACTIONAL ± 1/32 ANGULAR: MACH ± 0.5 BEND ± 2 ONE PLACE DECIMAL ± 0.1 TWO PLACE DECIMAL ± 0.01 THREE PLACE DECIMAL ± 0.005 TWO PLACE DUAL (mm) [± 0.12]</small>	DRAWN	ER	08-18-17							
	CHECKED	HRC	08-18-17							
	ENG APPR.	HRC	8/9/18							
	MFG APPR.	BDB	8/9/18							
<small>PROPRIETARY AND CONFIDENTIAL THE INFORMATION CONTAINED IN THIS DRAWING IS THE SOLE PROPERTY OF LINKTECH LLC. ANY REPRODUCTION OR DISCLOSURE IN PART OR AS A WHOLE WITHOUT THE WRITTEN PERMISSION OF LINKTECH LLC IS STRICTLY PROHIBITED.</small>	Q.A.	JJB	8/9/18	<b>PART NO: 50AC-PB9-04</b>  <b>DESCRIPTION:</b> <b>LinkTech 50AC Series Straight Male, Non-valved, 1/4" PTF, Natural Acetal</b>						
<small>COMMENTS:</small>				<table border="1"> <tr> <td>SIZE</td> <td>DWG. NO.</td> <td>REV</td> </tr> <tr> <td>C</td> <td>50AC500258</td> <td>A</td> </tr> </table>	SIZE	DWG. NO.	REV	C	50AC500258	A
SIZE	DWG. NO.	REV								
C	50AC500258	A								
<small>SCALE: NTS WEIGHT:</small>			<small>SHEET 1 OF 1</small>							