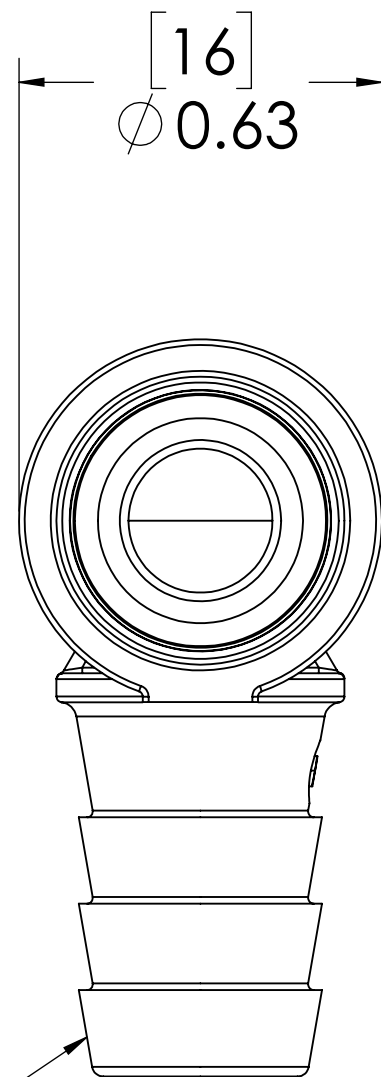
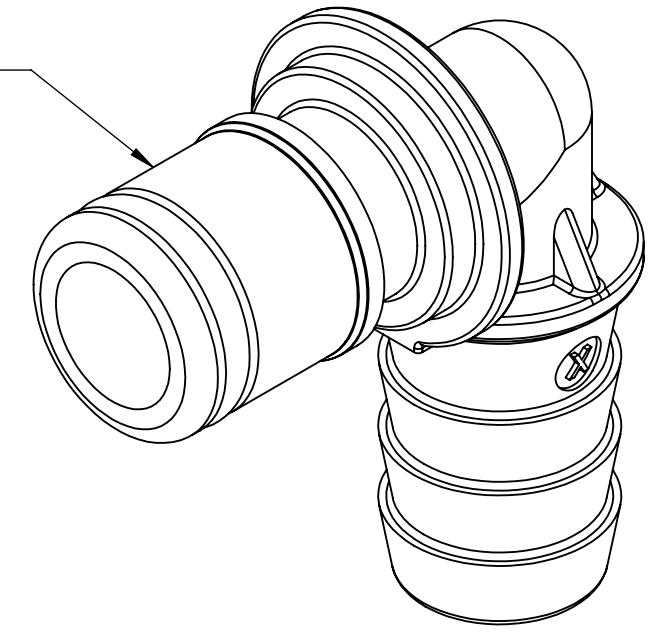


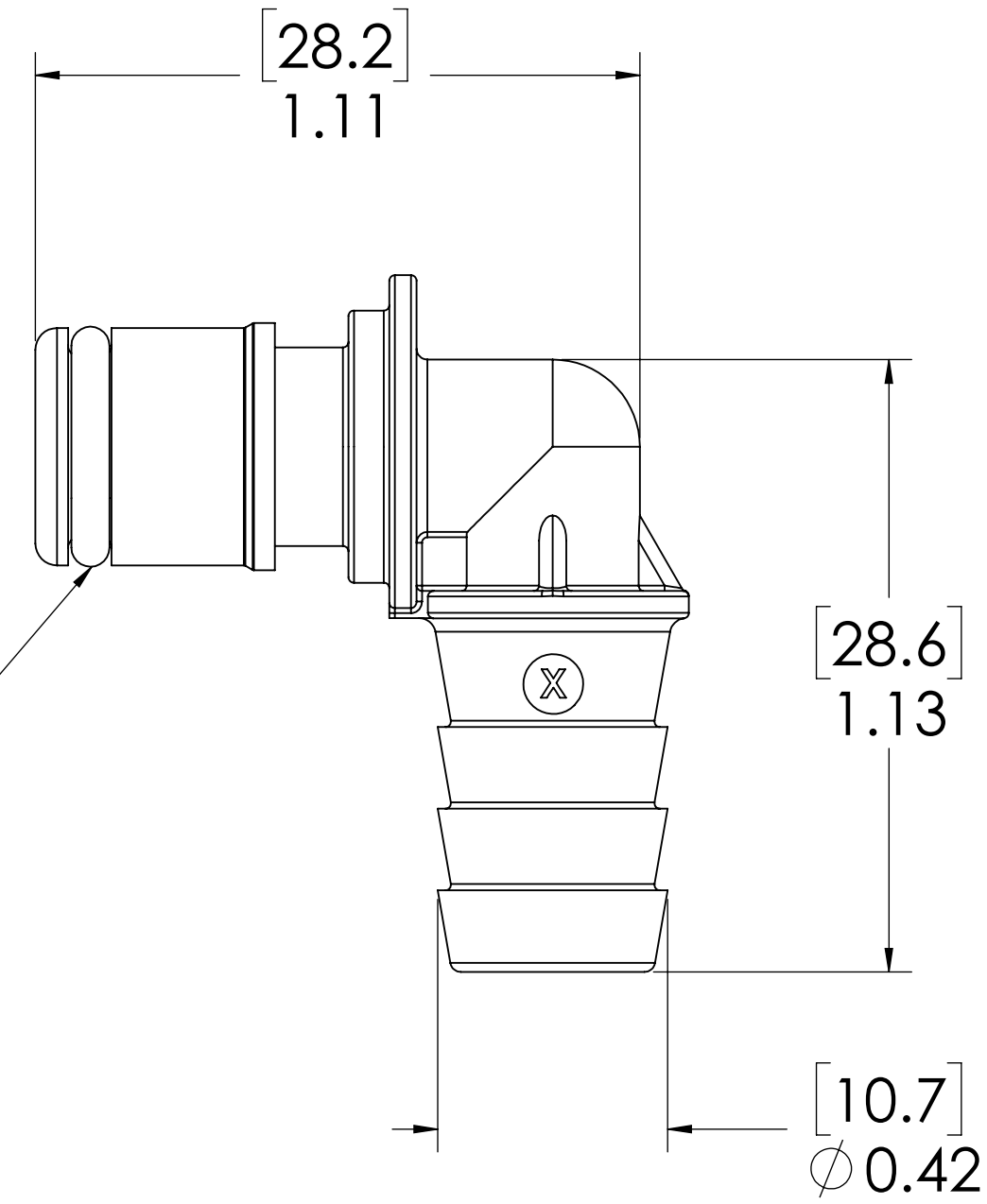
REVISIONS						
SHEET	ZONE	REV.	ECO	DESCRIPTION	DATE	APPROVED
1	ALL	A	50253	UPDATE FORMAT	2/26/2018	HRC

**PLUG,
(ACETAL)**



3/8" TUBE ID


**O-RING
EXTERNAL,
(BUNA-N)**



NOTES:

1. MATERIAL: ACETAL
2. COLOR: NATURAL WHITE
3. O-RING MATERIAL: BUNA-N
4. O-RINGS LUBRICATED WITH FOOD GRADE SILICONE OIL, 350 CST.

FOR REFERENCE ONLY

UNLESS OTHERWISE SPECIFIED:		NAME	DATE	 PART NO: 50AC-PB4-06
<small>DIMENSIONS ARE IN INCHES TOLERANCES: FRACTIONAL ± 1/32 ANGULAR: MACH ± 0.5 BEND ± 2 ONE PLACE DECIMAL ± 0.1 TWO PLACE DECIMAL ± 0.01 THREE PLACE DECIMAL ± 0.005 TWO PLACE DUAL (mm) [± 0.12]</small>		DRAWN	CKE 3/16/2017	
<small>PROPRIETARY AND CONFIDENTIAL THE INFORMATION CONTAINED IN THIS DRAWING IS THE SOLE PROPERTY OF LINKTECH LLC. ANY REPRODUCTION OR DISCLOSURE IN PART OR AS A WHOLE WITHOUT THE WRITTEN PERMISSION OF LINKTECH LLC IS STRICTLY PROHIBITED.</small>		CHECKED	HRC 3/16/2017	
		ENG APPR.	HRC 3/21/2017	
		MFG APPR.	BDB 3/21/2017	
		Q.A.	JJB 3/21/2017	<small>SIZE DWG. NO. REV</small> C 50AC500236 B
		COMMENTS:		<small>SCALE: NTS WEIGHT: SHEET 1 OF 1</small>