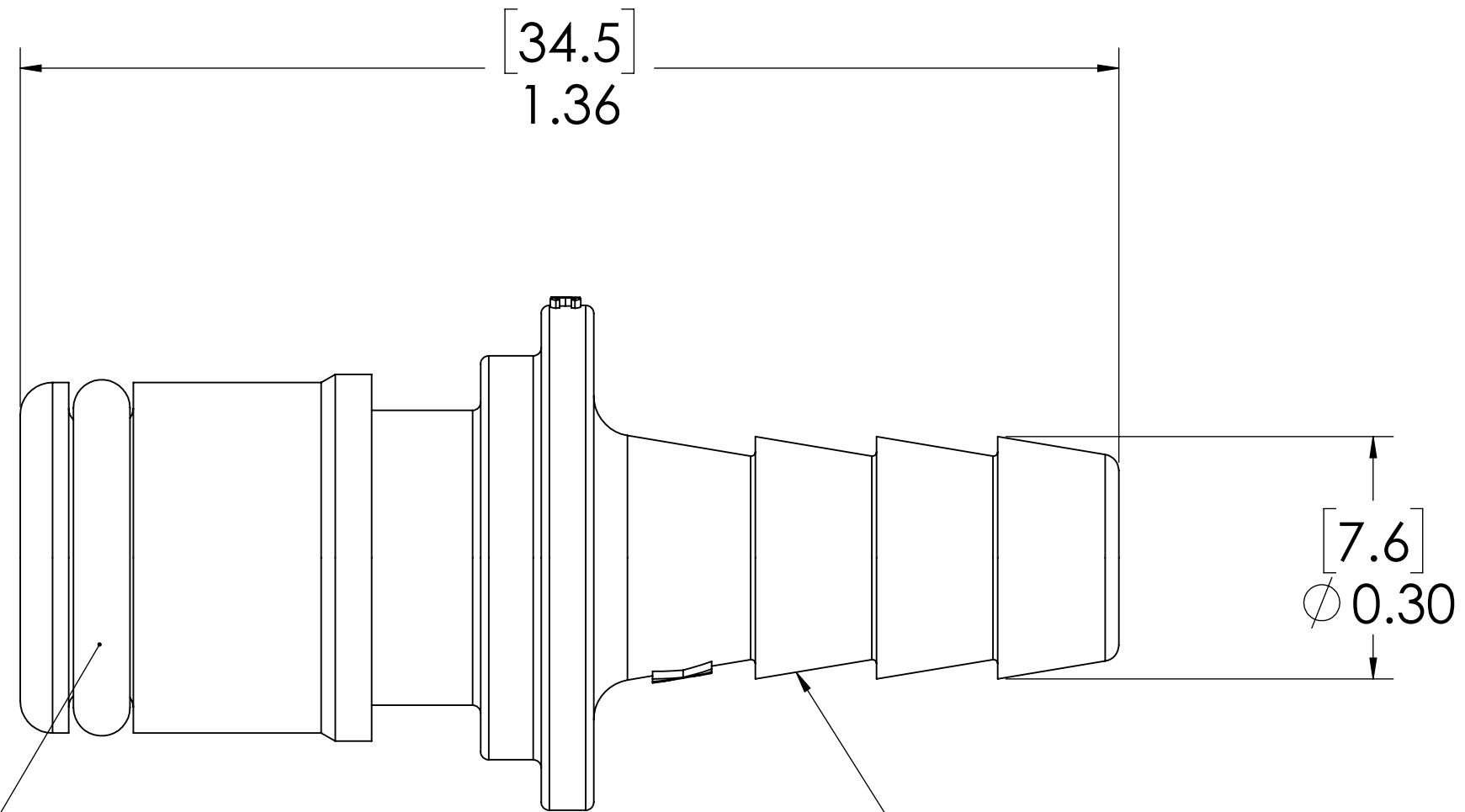
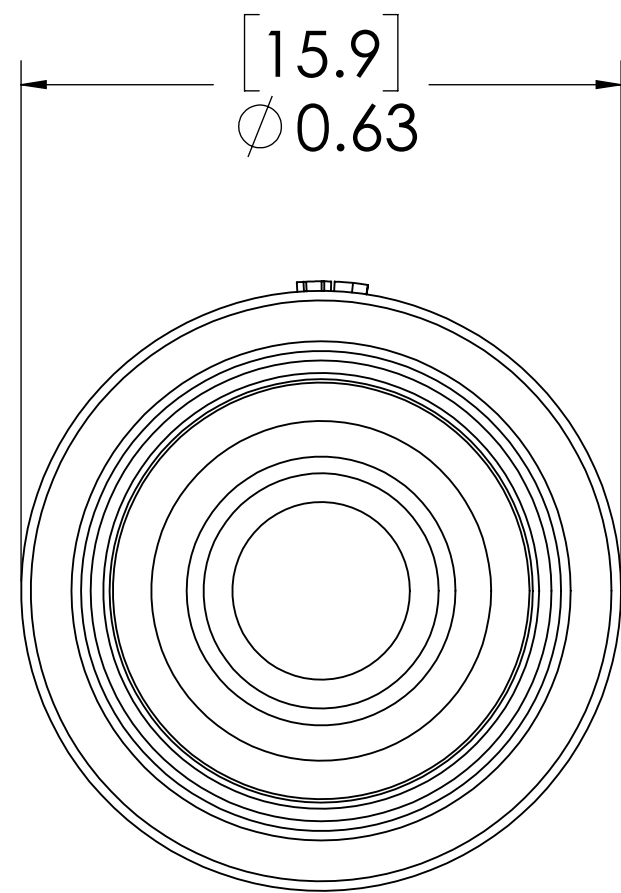
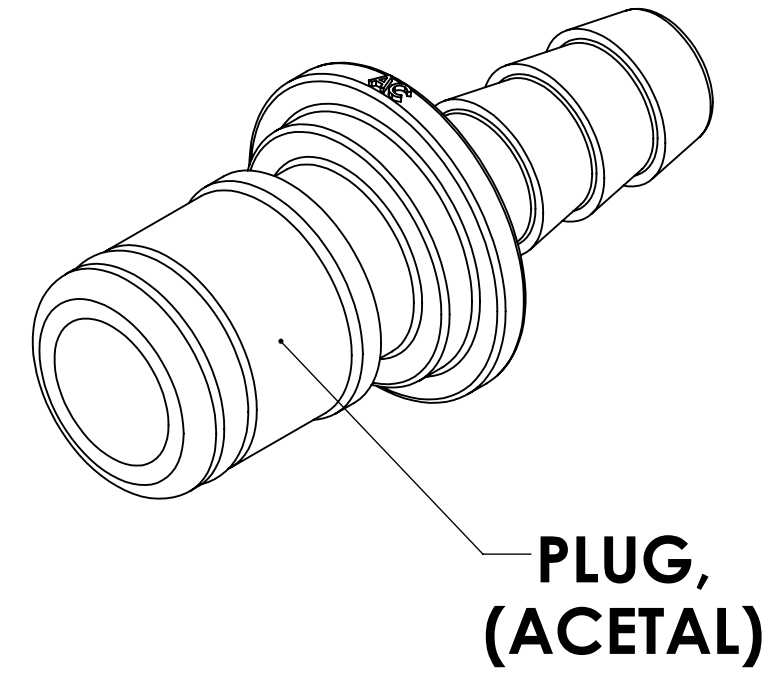


REVISIONS						
SHEET	ZONE	REV.	ECO	DESCRIPTION	DATE	APPROVED
1	ALL	A	50253	DRAFTING UPDATE	2/13/2018	HRC



**O-RING  
(BUNA-N)**

**1/4" TUBE ID**

**NOTES:**

- MATERIAL: ACETAL
- COLOR: NATURAL WHITE
- O-RING MATERIAL: BUNA-N
- O-RINGS LUBRICATED WITH FOOD GRADE SILICONE OIL, 350 CST.

**FOR REFERENCE ONLY**

<small>UNLESS OTHERWISE SPECIFIED: DIMENSIONS ARE IN INCHES TOLERANCES: FRACTIONAL ± 1/32 ANGULAR: MACH ± 0.5 BEND ± 2 ONE PLACE DECIMAL ± 0.1 TWO PLACE DECIMAL ± 0.01 THREE PLACE DECIMAL ± 0.005 TWO PLACE DUAL (mm) [± 0.12]</small>	DRAWN	NAME	DATE	 <b>PART NO: 50AC-PB2-04</b> DESCRIPTION: <b>LinkTech 50AC Series Straight Male, Non-valved, 1/4" HB, Natural Acetal</b>
	CHECKED	HRC	3/9/2017	
	ENG APPR.	HRC	02-13-18	
	MFG APPR.	BDB	02-13-18	
<small>PROPRIETARY AND CONFIDENTIAL THE INFORMATION CONTAINED IN THIS DRAWING IS THE SOLE PROPERTY OF LINKTECH LLC. ANY REPRODUCTION OR DISCLOSURE IN PART OR AS A WHOLE WITHOUT THE WRITTEN PERMISSION OF LINKTECH LLC IS STRICTLY PROHIBITED.</small>	Q.A.	JJB	02-13-18	SIZE DWG. NO. REV <b>C 50AC500232 A</b>
COMMENTS:			SCALE: NTS WEIGHT: SHEET 1 OF 1	