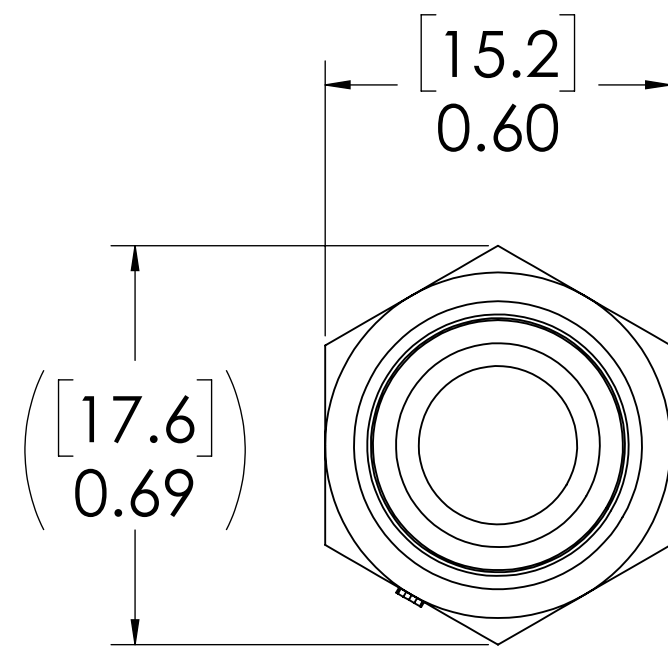
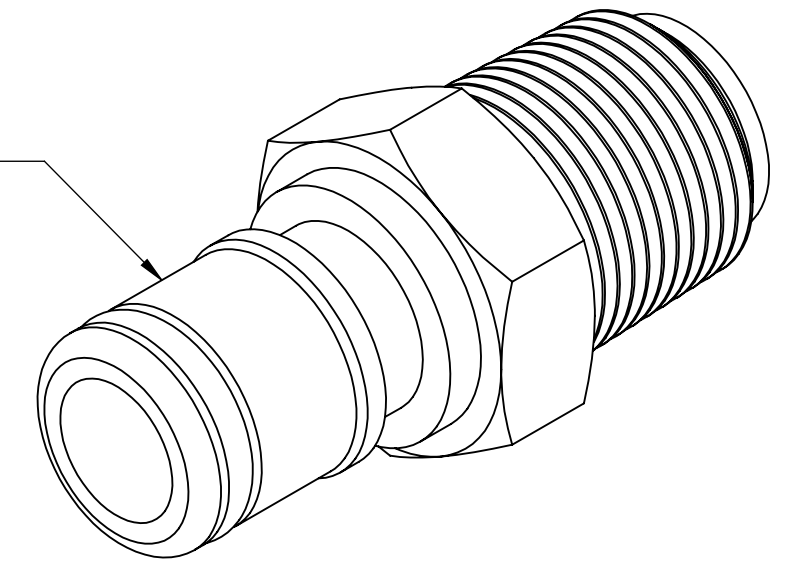
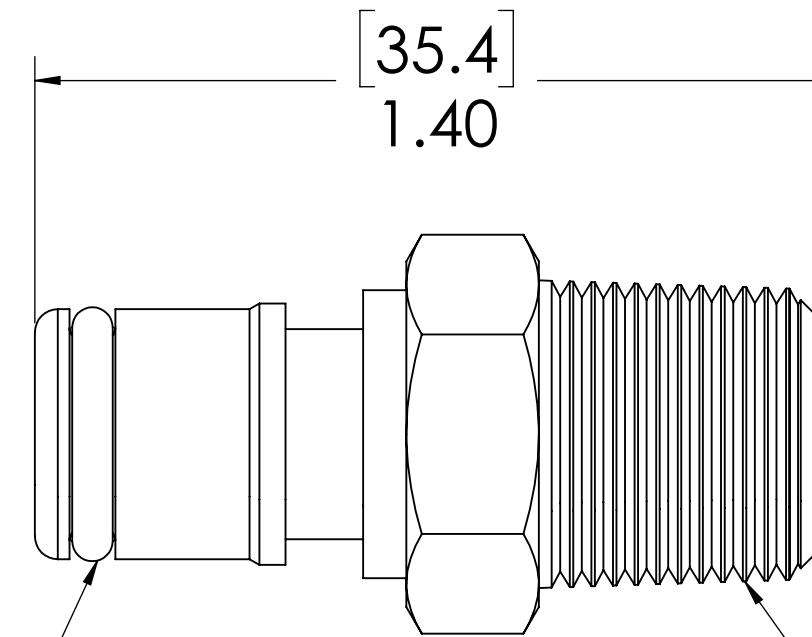


REVISIONS						
SHEET	ZONE	REV.	ECO	DESCRIPTION	DATE	APPROVED
1	ALL	A	50253	2017 F ORMAT UPDATE	4/25/2018	HRC

**PLUG,
(ACETAL)**



**O-RING,
(BUNA-N)**



**1/4" NPT,
(PIPE THREAD)**

NOTES:

1. MATERIAL: ACETAL
2. COLOR: NATURAL WHITE
3. O-RING MATERIAL: BUNA-N
4. O-RINGS LUBRICATED WITH FOOD GRADE SILICONE OIL, 350 CST.

FOR REFERENCE ONLY

<small>UNLESS OTHERWISE SPECIFIED: DIMENSIONS ARE IN INCHES TOLERANCES: FRACTIONAL ± 1/32 ANGULAR: MACH ± 0.5 BEND ± 2 ONE PLACE DECIMAL ± 0.1 TWO PLACE DECIMAL ± 0.01 THREE PLACE DECIMAL ± 0.005 TWO PLACE DUAL (mm) [± 0.12]</small>	DRAWN	RDA	8/18/2017	
	CHECKED	HRC	8/18/2017	
	ENG APPR.	HRC	4/25/2018	
	MFG APPR.	BDB	4/25/2018	
<small>PROPRIETARY AND CONFIDENTIAL THE INFORMATION CONTAINED IN THIS DRAWING IS THE SOLE PROPERTY OF LINKTECH LLC. ANY REPRODUCTION OR DISCLOSURE IN PART OR AS A WHOLE WITHOUT THE WRITTEN PERMISSION OF LINKTECH LLC IS STRICTLY PROHIBITED.</small>	Q.A.	JJB	4/25/2018	PART NO: 50AC-PB1-04 DESCRIPTION: LinkTech 50AC Series Male Thread Male, Non-valved, 250MNPT, Natural Acetal
<small>SIZE DWG. NO. REV</small> C 50AC500262 A		<small>SCALE: NTS WEIGHT:</small>		<small>SHEET 1 OF 1</small>