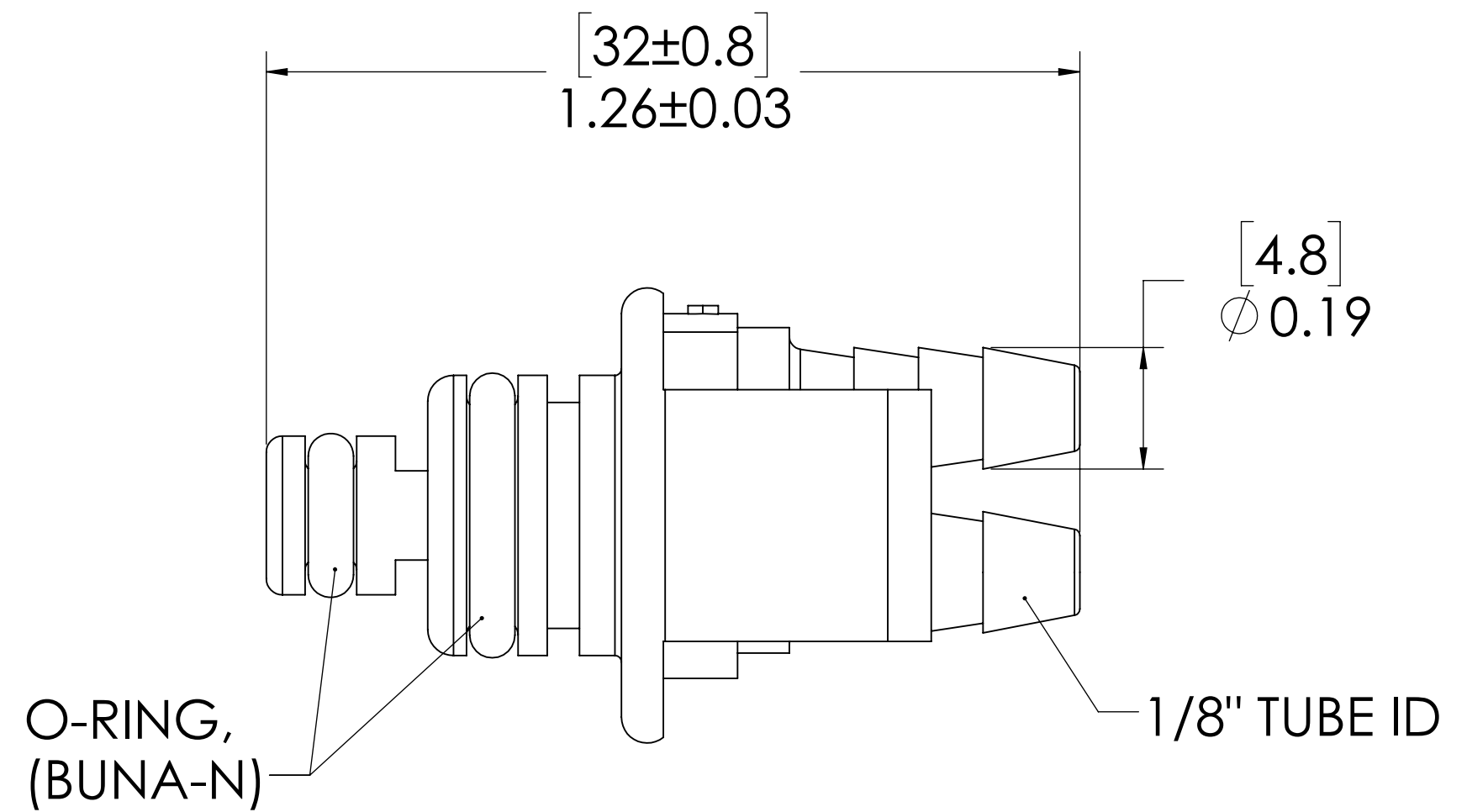
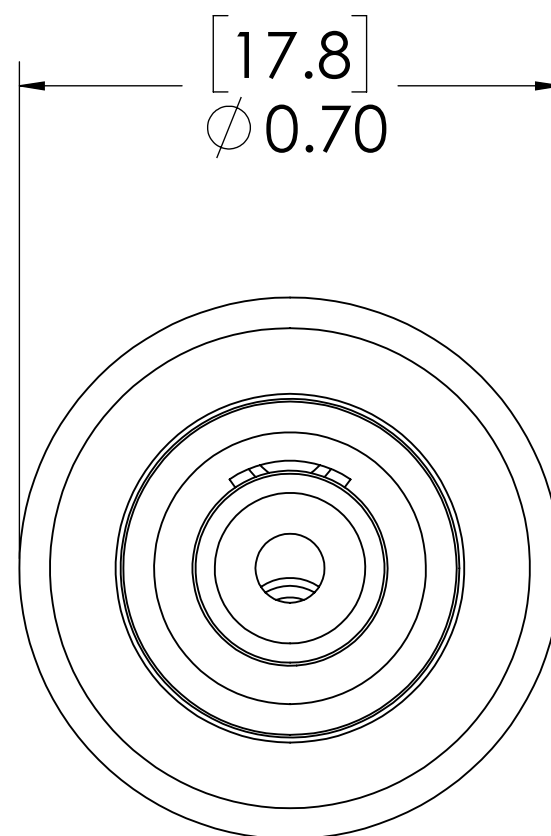
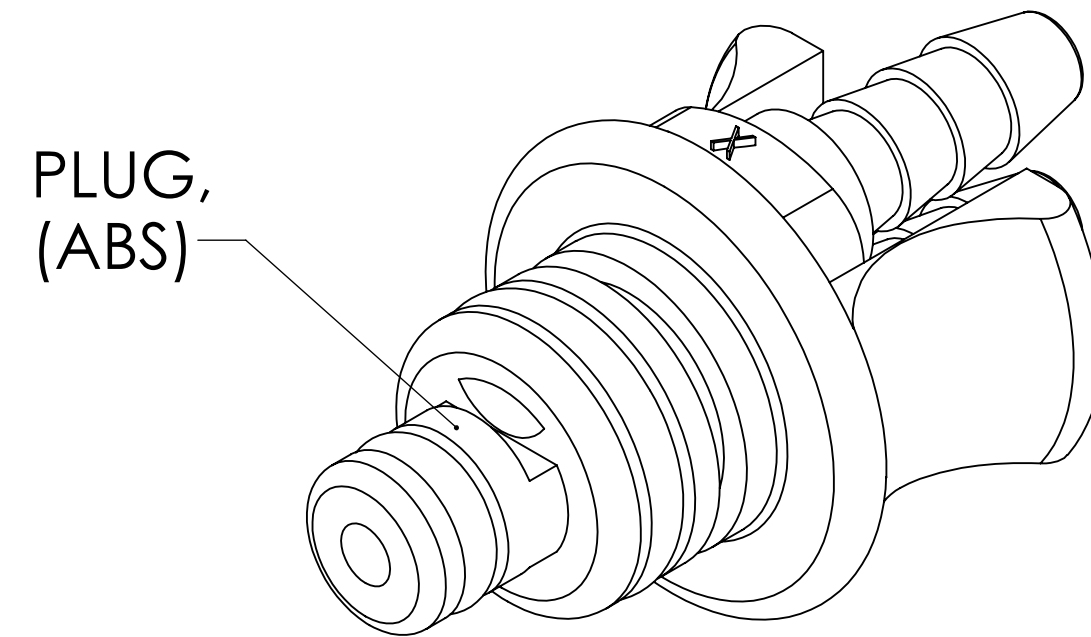


REVISIONS						
SHEET	ZONE	REV.	ECO	DESCRIPTION	DATE	APPROVED
1	A-7	A	...	CHANGED ABS COLOR FROM WHITE TO NATURAL	7/17/2012	DHJ
1	ALL	B	50253	FORMAT UPDATE	4/20/2018	HRC



**NOTES:**

1. MATERIAL: ABS
2. COLOR: WHITE
3. O-RING MATERIAL: BUNA-N
4. O-RINGS LUBRICATED WITH FOOD GRADE SILICONE OIL, 350 CST.

**FOR REFERENCE ONLY**

<small>UNLESS OTHERWISE SPECIFIED: DIMENSIONS ARE IN INCHES TOLERANCES: FRACTIONAL ± 1/32 ANGULAR, MACH ± 0.5 BEND ± 2 ONE PLACE DECIMAL ± 0.1 TWO PLACE DECIMAL ± 0.01 THREE PLACE DECIMAL ± 0.005 TWO PLACE DUAL (mm) [±0.12]</small>	DRAWN	DHJ	9/12/11	
	CHECKED	HRC	10/9/12	
	ENG APPR.	HRC	4/20/18	
	MFG APPR.	BDB	4/20/18	
<small>PROPRIETARY AND CONFIDENTIAL THE INFORMATION CONTAINED IN THIS DRAWING IS THE SOLE PROPERTY OF LINKTECH LLC. ANY REPRODUCTION OR DISCLOSURE IN PART OR AS A WHOLE WITHOUT THE WRITTEN PERMISSION OF LINKTECH LLC IS STRICTLY PROHIBITED.</small>	PURCHASING	RK	4/20/18	<b>PART NO:</b> 42AB-PB2-02
<small>COMMENTS:</small>				<b>DESCRIPTION:</b> LinkTech 42AB Series Dual Tube Inline Plug, Non-valved, 1/8" HB, ABS
<b>SIZE</b> DWG. NO.		<b>REV</b>		<b>C</b> 42AB400022 <b>B</b>
<b>SCALE:</b> NTS		<b>WEIGHT:</b>		<b>SHEET 1 OF 1</b>