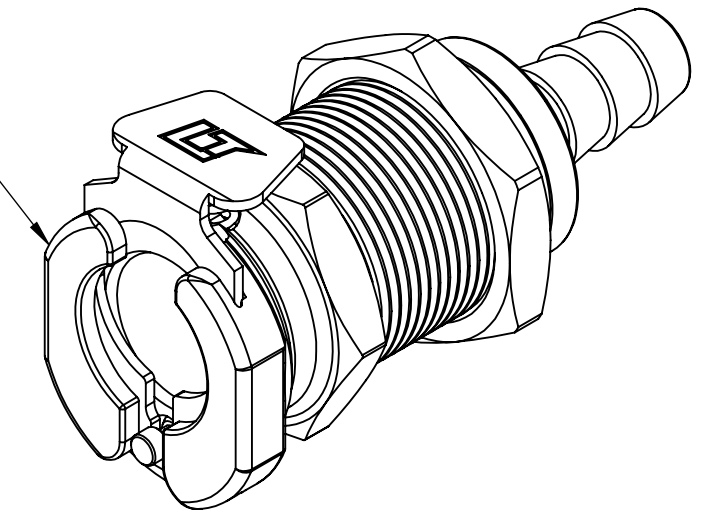
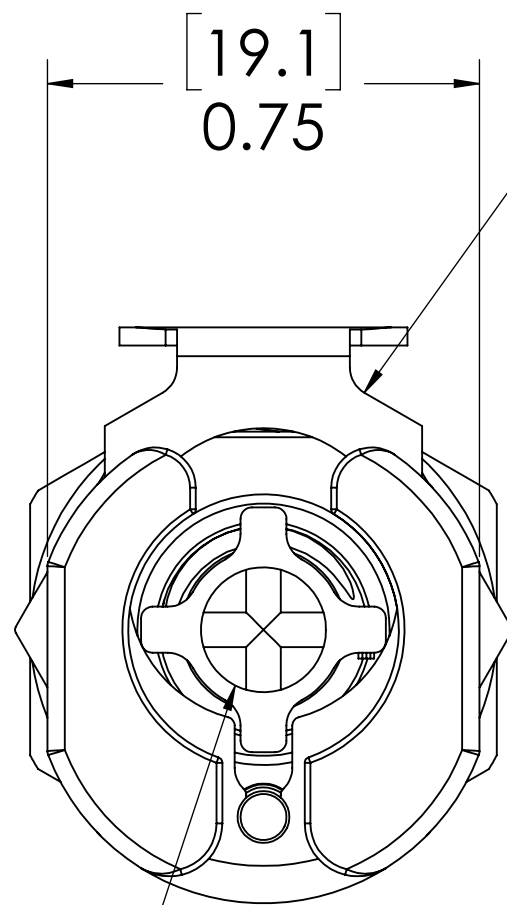


REVISIONS						
SHEET	ZONE	REV.	ECO	DESCRIPTION	DATE	APPROVED
1	ALL	A	50253	PIN, PIN SPRING AND FORMAT UPDATE	1/8/2018	HRC

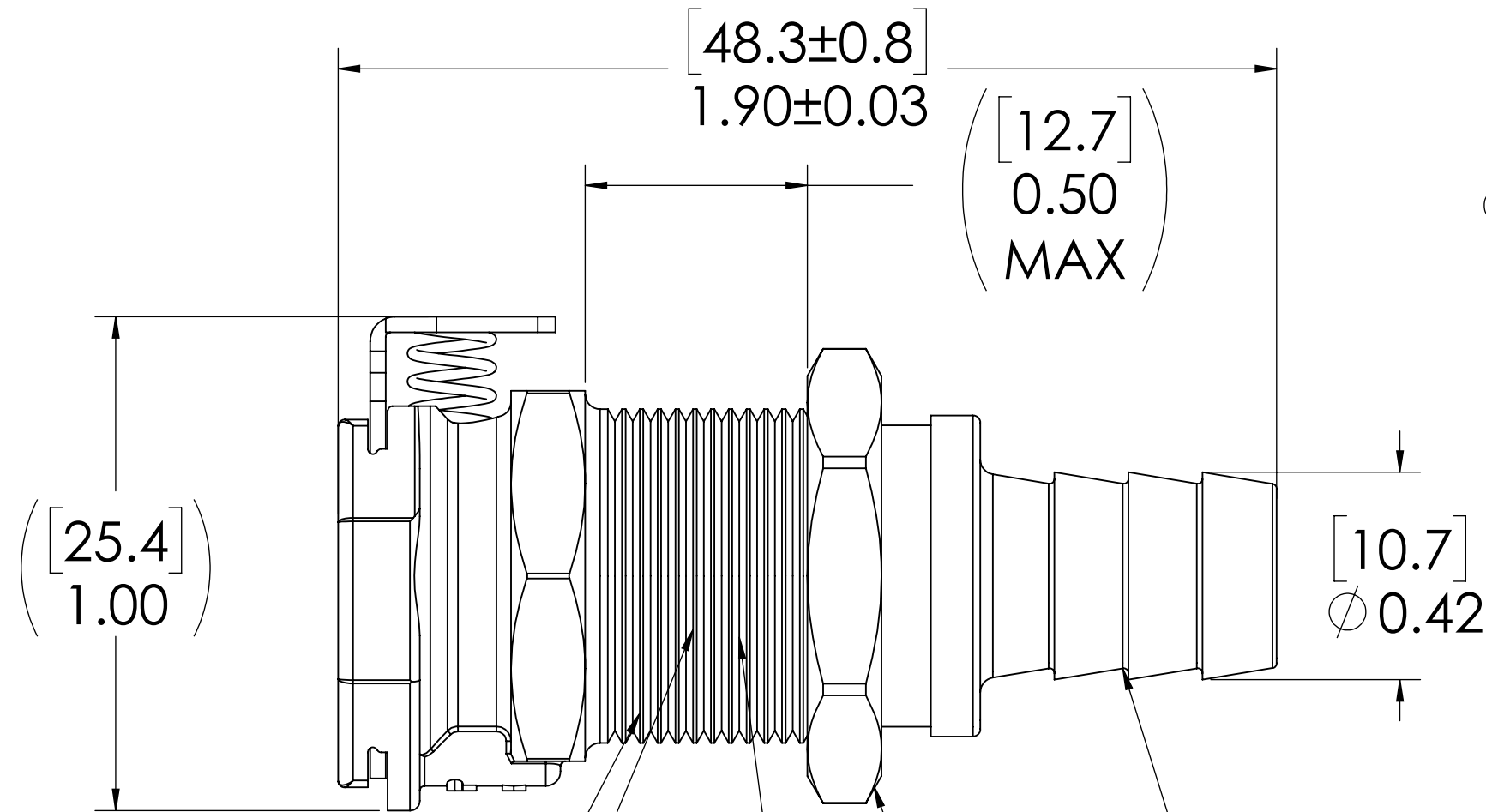
**SOCKET,
(POLYPROPYLENE)**



**LATCH HARDWARE,
(STAINLESS STEEL)**



**VALVE,
(POLYPROPYLENE)**



PANEL OPENING

11/16-24 UNF THREAD

**O-RING,
INTERNAL
(EPDM)**

**SPRING,
INTERNAL
(STAINLESS STEEL)**

**PANEL NUT,
(13/16 HEX)
PACKAGED SEPARATELY**

NOTES:

- MATERIAL: POLYPROPYLENE
- COLOR: ALMOND
- O-RING MATERIAL: EPDM
- O-RINGS LUBRICATED WITH FOOD GRADE SILICONE OIL, 350 CST.

FOR REFERENCE ONLY

<small>UNLESS OTHERWISE SPECIFIED: DIMENSIONS ARE IN INCHES TOLERANCES: FRACTIONAL ± 1/32 ANGULAR: MACH ± 0.5 BEND ± 2 ONE PLACE DECIMAL ± 0.1 TWO PLACE DECIMAL ± 0.01 THREE PLACE DECIMAL ± 0.005 TWO PLACE DUAL (mm) [± 0.12]</small>	DRAWN	RDA	8/6/2017	
	CHECKED	HRC	8/6/2017	
	ENG APPR.	HRC	01-08-18	
	MFG APPR.	BDB	01-08-18	
PRODUCTION	RK	01-08-18		PART NO: 40PPV-SE3-06MALD DESCRIPTION: LinkTech 40PP Series Panel Mt. Female, Valved 3/8" PTF, Molded Almond Color, Polypropylene
<small>PROPRIETARY AND CONFIDENTIAL THE INFORMATION CONTAINED IN THIS DRAWING IS THE SOLE PROPERTY OF LINKTECH LLC. ANY REPRODUCTION OR DISCLOSURE IN PART OR AS A WHOLE WITHOUT THE WRITTEN PERMISSION OF LINKTECH LLC IS STRICTLY PROHIBITED.</small>				SCALE: NTS WEIGHT: REV A SIZE C DWG. NO. 40PP400126 SHEET 1 OF 1