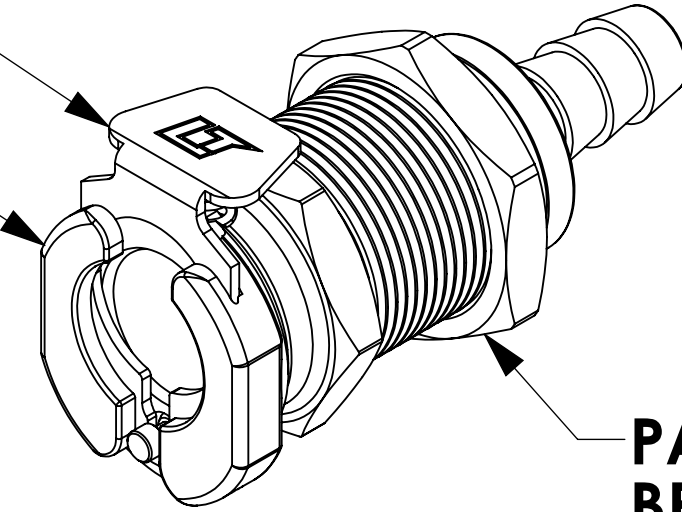


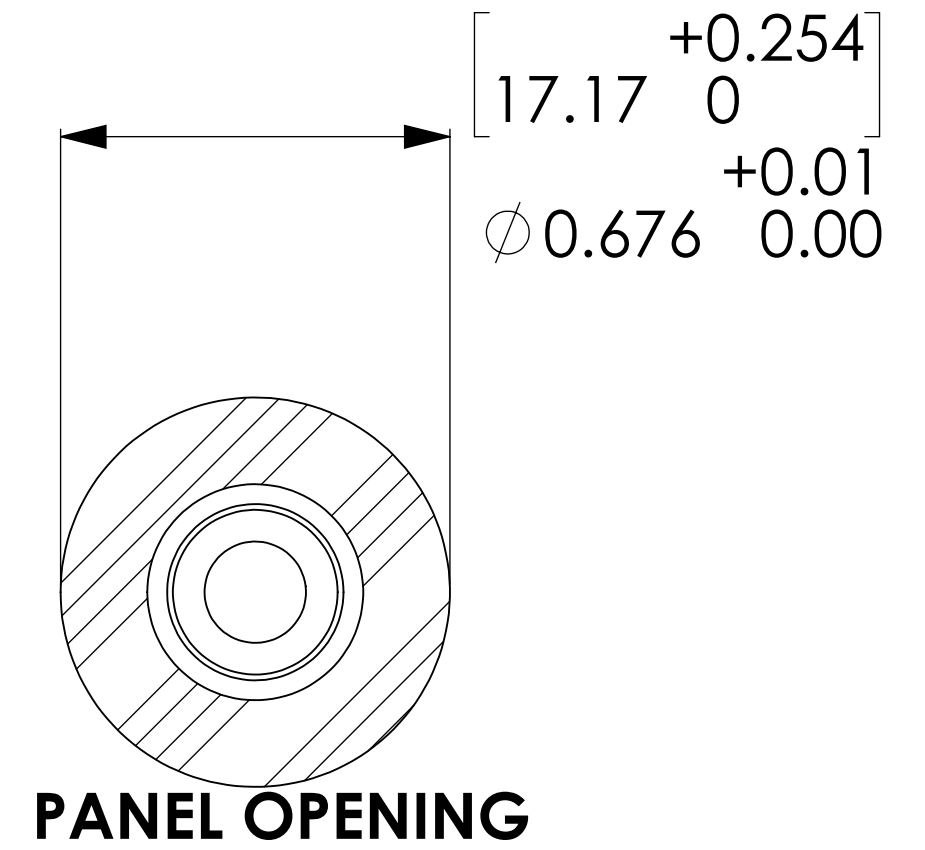
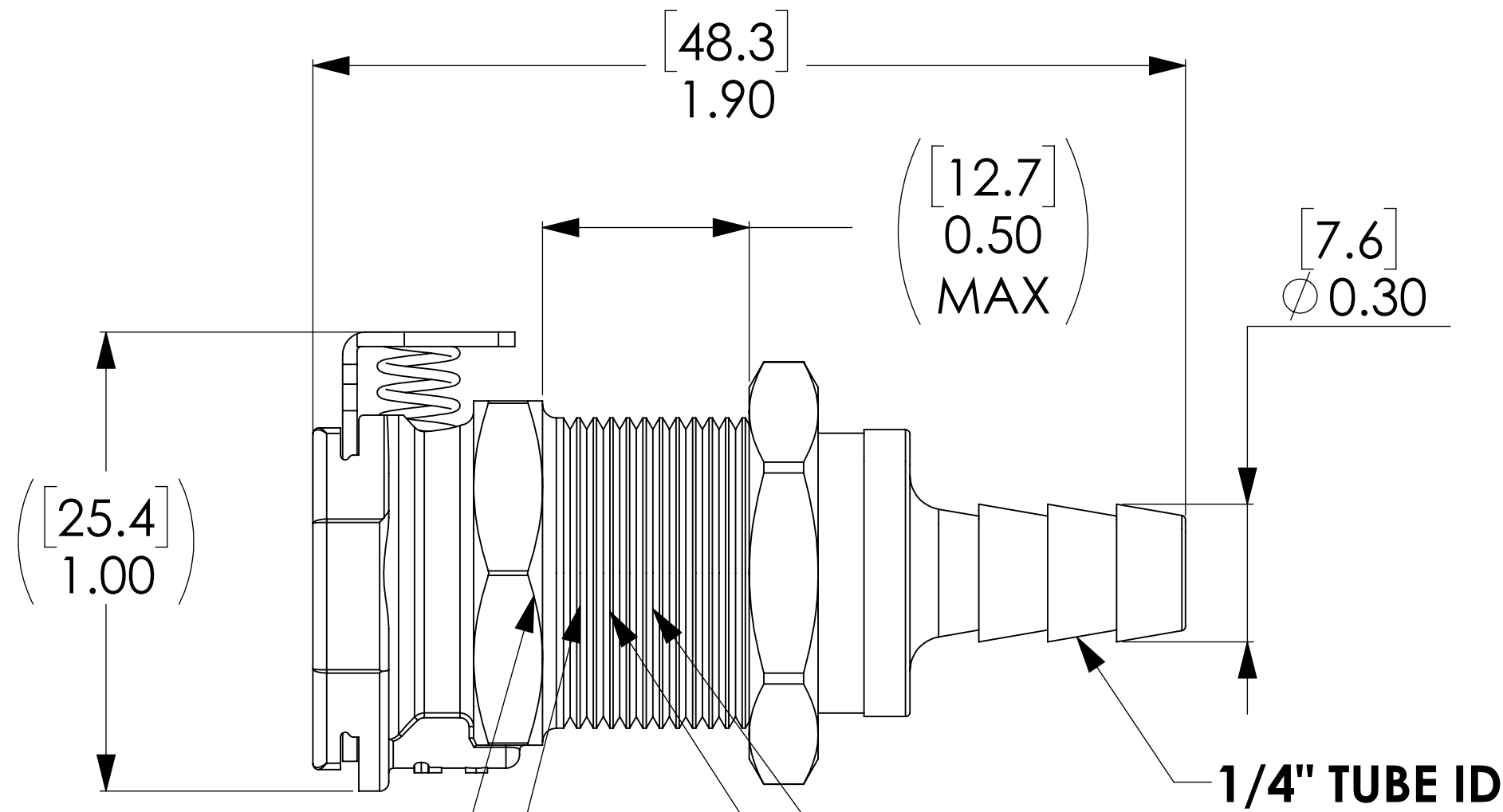
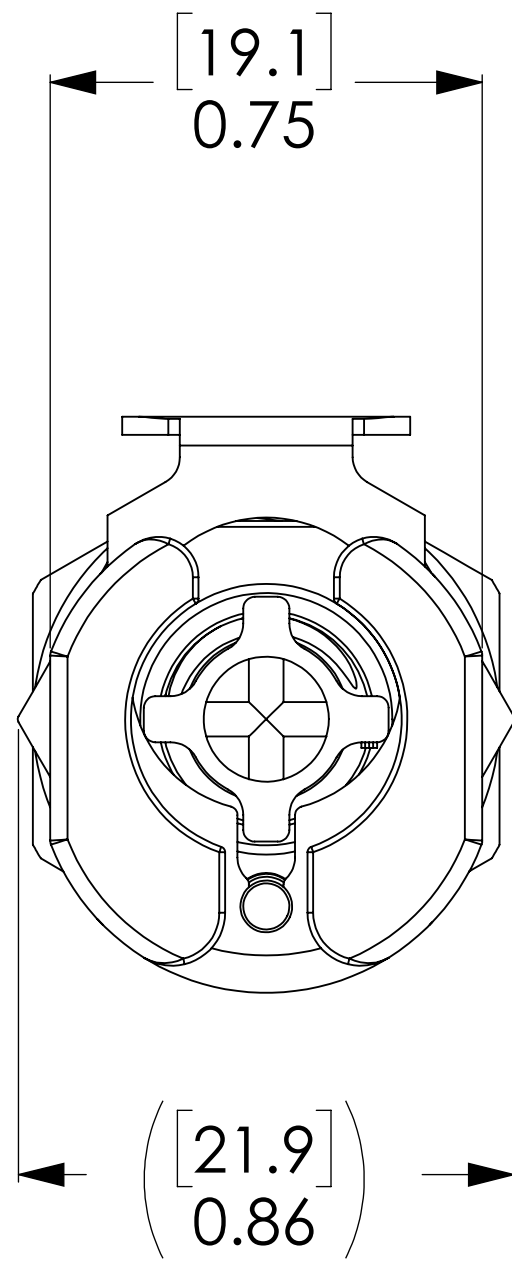
REVISIONS						
SHEET	ZONE	REV.	ECO	DESCRIPTION	DATE	APPROVED
1	ALL	C	50253	FORMAT DWG UPDATE	8/7/2017	

**LATCH HARDWEAR,  
(STAINLESS STEEL)**

**SOCKET,  
(POLYPROPYLENE)**



**PANEL NUT,  
BRASS, NICKEL PLATED  
(13/16 HEX)  
PACAKAGED SEPARATELY**



**O-RING,  
INTERNAL  
(EPDM)**

**VALVE,  
INTERNAL  
(POLYPROPYLENE)**

**11/16-24 UNS THREAD  
SPRING,  
INTERNAL  
(STAINLESS STEEL)**

**1/4" TUBE ID**

**NOTES:**

- MATERIAL:POLYPROPYLENE.
- COLOR: LIGHT GRAY.
- O-RING MATERIAL: EPDM
- O-RINGS LUBRICATED WITH FOOD GRADE SILICONE OIL, 350 CST.

**FOR REFERENCE ONLY**

<small>UNLESS OTHERWISE SPECIFIED: DIMENSIONS ARE IN INCHES TOLERANCES: FRACTIONAL ± 1/32 ANGULAR: MACH ± 0.5 BEND ± 2 ONE PLACE DECIMAL ± 0.1 TWO PLACE DECIMAL ± 0.01 THREE PLACE DECIMAL ± 0.005 TWO PLACE DUAL (mm) [± 0.12]</small>	DRAWN	RDA	DATE	
	CHECKED	HRC	7/10/2017	
	ENG APPR.	HRC	01-08-18	
	MFG APPR.	BDB	01-08-18	
<small>PROPRIETARY AND CONFIDENTIAL THE INFORMATION CONTAINED IN THIS DRAWING IS THE SOLE PROPERTY OF LINKTECH LLC. ANY REPRODUCTION OR DISCLOSURE IN PART OR AS A WHOLE WITHOUT THE WRITTEN PERMISSION OF LINKTECH LLC IS STRICTLY PROHIBITED.</small>	PURCHASING	RK	01-08-18	PART NO: <b>40PPV-SE3-04</b>
DESCRIPTION: <b>LinkTech 40PP Series Panel Mt. Female, Valved, 250 HB, Molded Grey Color, Polypropylene</b>				SIZE DWG. NO. REV <b>C 40PP400064 C</b>
SCALE: NTS			WEIGHT:	SHEET 1 OF 1