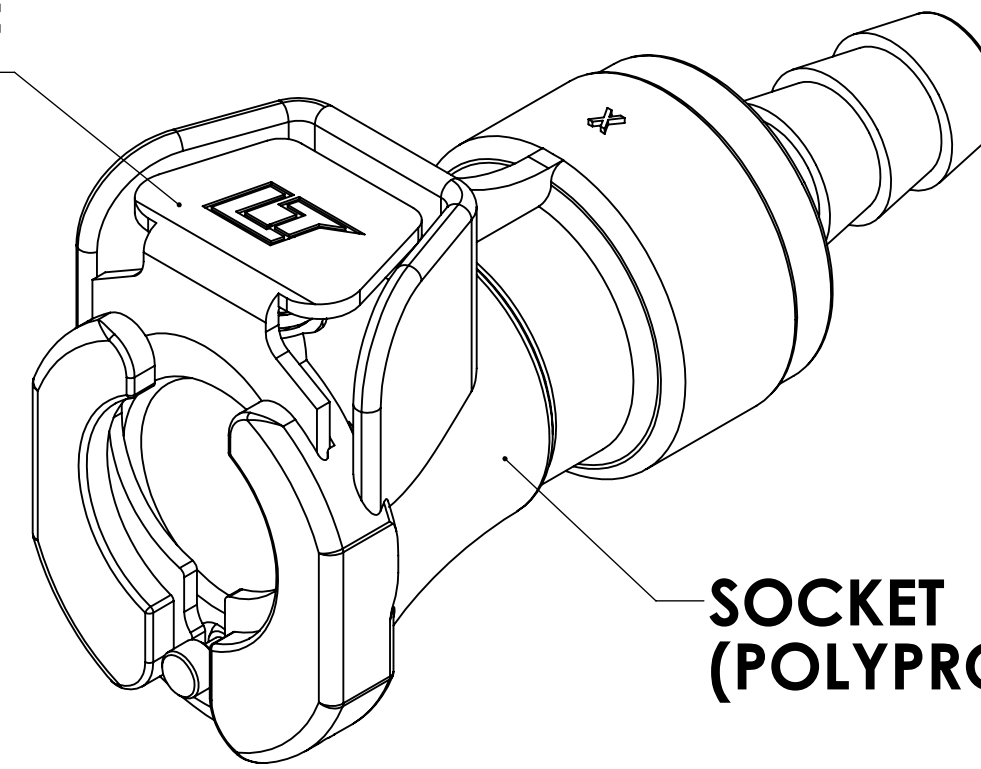
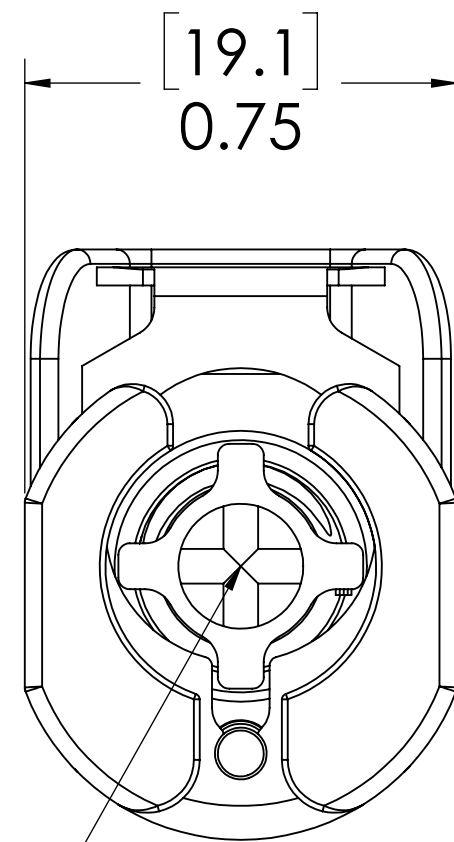


REVISIONS						
SHEET	ZONE	REV.	ECO	DESCRIPTION	DATE	APPROVED
1	A-1	A	CORRECTED DWG NUMBER	2/24/2011	DHJ
1	F-8	B	CORRECTED VALVE PART NUMBER FROM C11049 TO C11145	5/23/2011	DHJ
1	ALL	C	50253	UPDATE DWG TO CURRENT FORMAT & STANDARDS	10/23/2018	HRC

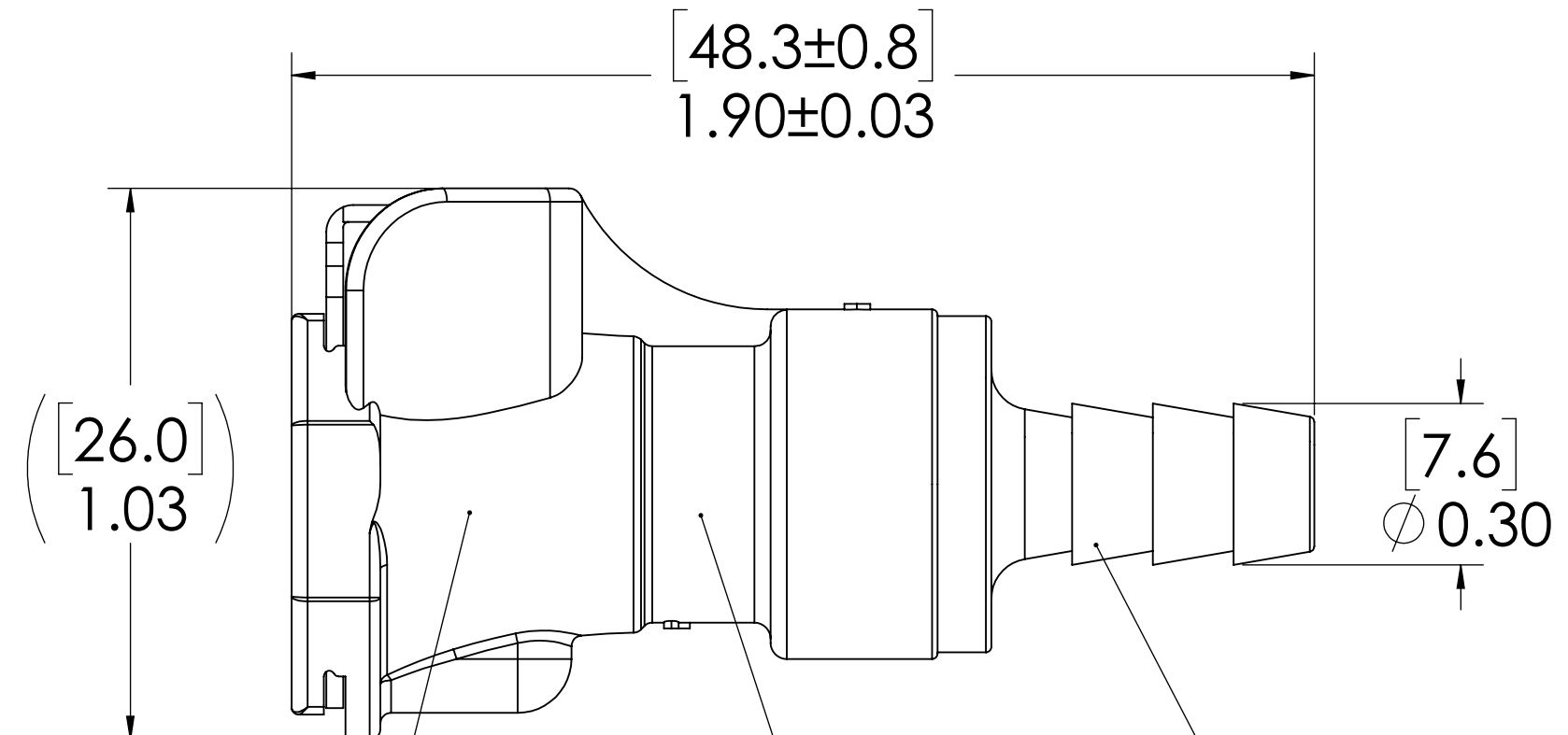
**LATCH HARDWARE
(STAINLESS STEEL)**



**SOCKET
(POLYPROPYLENE)**



**VALVE
(POLYPROPYLENE)**



**VALVE SPRING
INTERNAL
(STAINLESS STEEL)**

**VALVE O-RING
INTERNAL
(EPDM)**

1/4" TUBE ID

NOTES:

1. MATERIAL: POLYPROPYLENE
2. COLOR: GREY
3. O-RING MATERIAL: EPDM
4. O-RINGS LUBRICATED WITH FOOD GRADE SILICONE OIL, 350 CST.

FOR REFERENCE ONLY

<small>UNLESS OTHERWISE SPECIFIED: DIMENSIONS ARE IN INCHES TOLERANCES: FRACTIONAL ± 1/32 ANGULAR: MACH ± 0.5 BEND ± 2 ONE PLACE DECIMAL ± 0.1 TWO PLACE DECIMAL ± 0.01 THREE PLACE DECIMAL ± 0.005 TWO PLACE DUAL (mm) [± 0.12]</small>	DRAWN	LMP	4/16/2018	
	CHECKED	HRC	4/16/2018	
	ENG APPR.	HRC	10/23/18	
	MFG APPR.	BDB	10/23/18	
PRODUCTION	LS	10/23/18		PART NO: 40PPV-SE2-04 DESCRIPTION: LinkTech 40PP Series Inline Socket Female, Valved, 1/4" HB, Polypropylene
<small>PROPRIETARY AND CONFIDENTIAL THE INFORMATION CONTAINED IN THIS DRAWING IS THE SOLE PROPERTY OF LINKTECH LLC. ANY REPRODUCTION OR DISCLOSURE IN PART OR AS A WHOLE WITHOUT THE WRITTEN PERMISSION OF LINKTECH LLC IS STRICTLY PROHIBITED.</small>				<small>COMMENTS:</small>
SIZE DWG. NO. C 40PP400054		REV C		SCALE: NTS WEIGHT:
				SHEET 1 OF 1