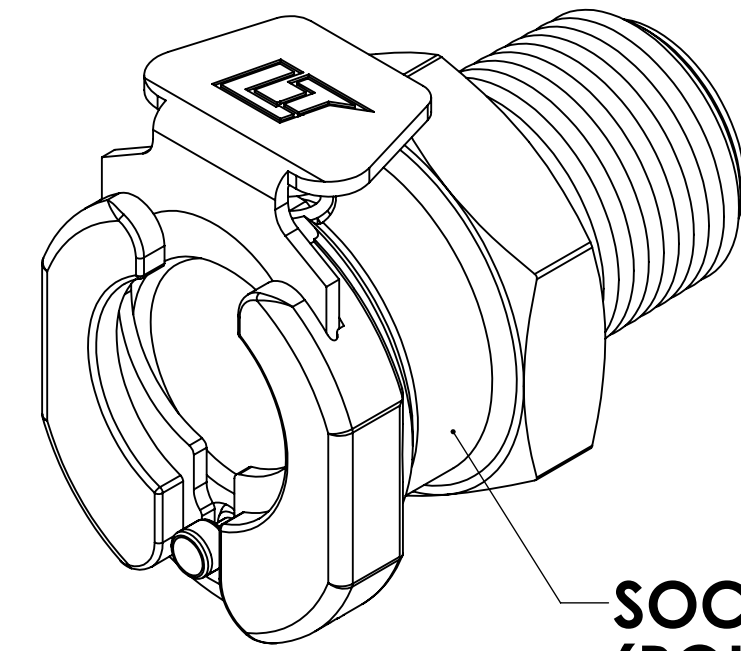
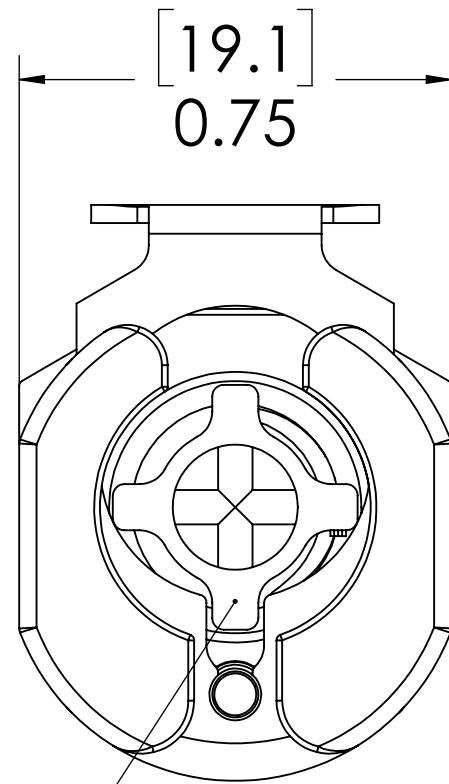


REVISIONS						
SHEET	ZONE	REV.	ECO	DESCRIPTION	DATE	APPROVED
1	ALL	A	50242	PIN, PIN SPRING & 2017 FORMAT UPDATE	7/24/2018	HRC

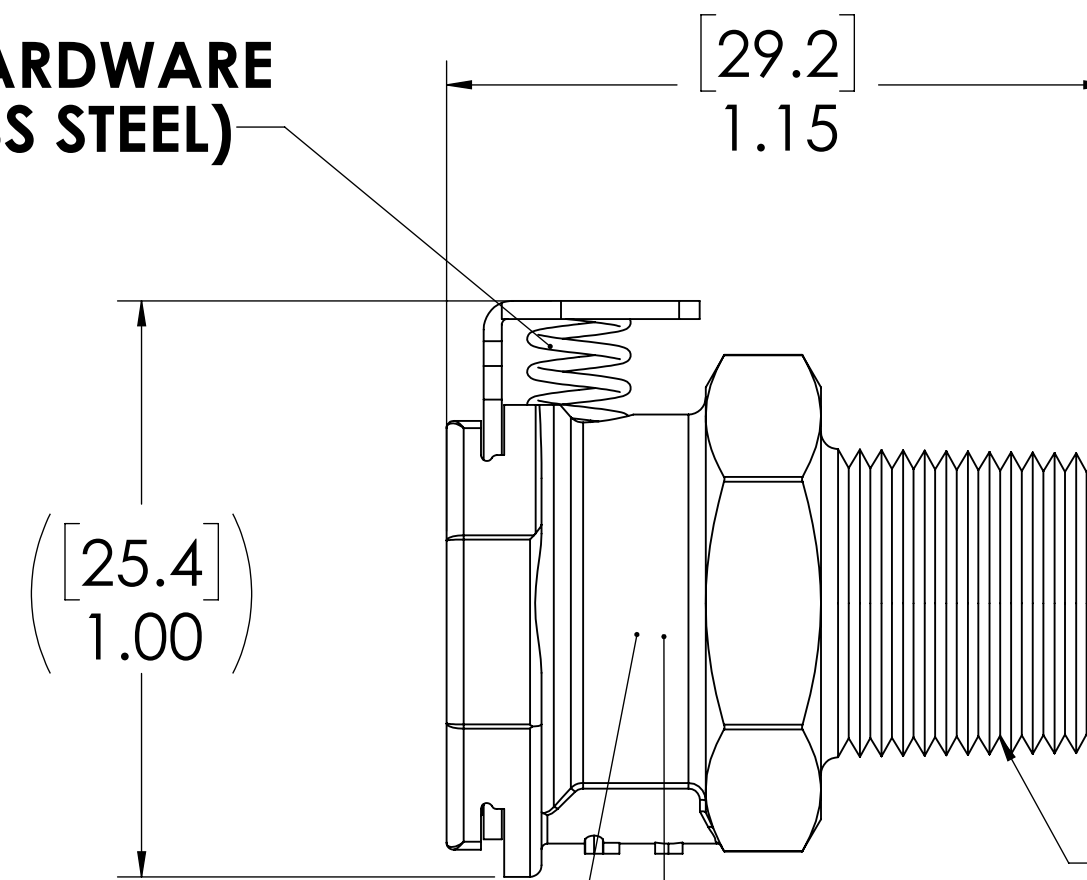


**SOCKET,  
(POLYPROPYLENE)**



**VALVE,  
(POLYPROPYLENE)**

**LATCH HARDWARE  
(STAINLESS STEEL)**



**1/4" NPT  
(PIPE THREAD)**


**O-RING,  
INTERNAL  
(EPDM)**

**VALVE SPRING,  
(STAINLESS STEEL)**

**NOTES:**

1. MATERIAL: POLYPROPYLENE
2. COLOR: GREY
3. O-RING MATERIAL: EPDM
4. O-RINGS LUBRICATED WITH FOOD GRADE SILICONE OIL, 350 CST.

**FOR REFERENCE ONLY**

<small>UNLESS OTHERWISE SPECIFIED: DIMENSIONS ARE IN INCHES TOLERANCES: FRACTIONAL ± 1/32 ANGULAR: MACH ± 0.5 BEND ± 2 ONE PLACE DECIMAL ± 0.1 TWO PLACE DECIMAL ± 0.01 THREE PLACE DECIMAL ± 0.005 TWO PLACE DUAL (mm) [± 0.12]</small>	DRAWN	LMP	6/11/2018	 <b>PART NO: 40PPV-SE1-04</b> <small>DESCRIPTION: LinkTech 40PP Series, Male Thread Socket, Non-Valved, 1/4" NPT, Polypropylene</small>
	CHECKED	HRC	7/5/18	
	ENG APPR.	HRC	7/24/18	
	MFG APPR.	BDB	7/24/18	
<small>PROPRIETARY AND CONFIDENTIAL THE INFORMATION CONTAINED IN THIS DRAWING IS THE SOLE PROPERTY OF LINKTECH LLC. ANY REPRODUCTION OR DISCLOSURE IN PART OR AS A WHOLE WITHOUT THE WRITTEN PERMISSION OF LINKTECH LLC IS STRICTLY PROHIBITED.</small>	PRODUCTION	LS	7/24/18	<small>SIZE DWG. NO. REV</small> <b>C 40PP400085 A</b>
<small>SCALE: NTS WEIGHT:</small>			<small>SHEET 1 OF 1</small>	