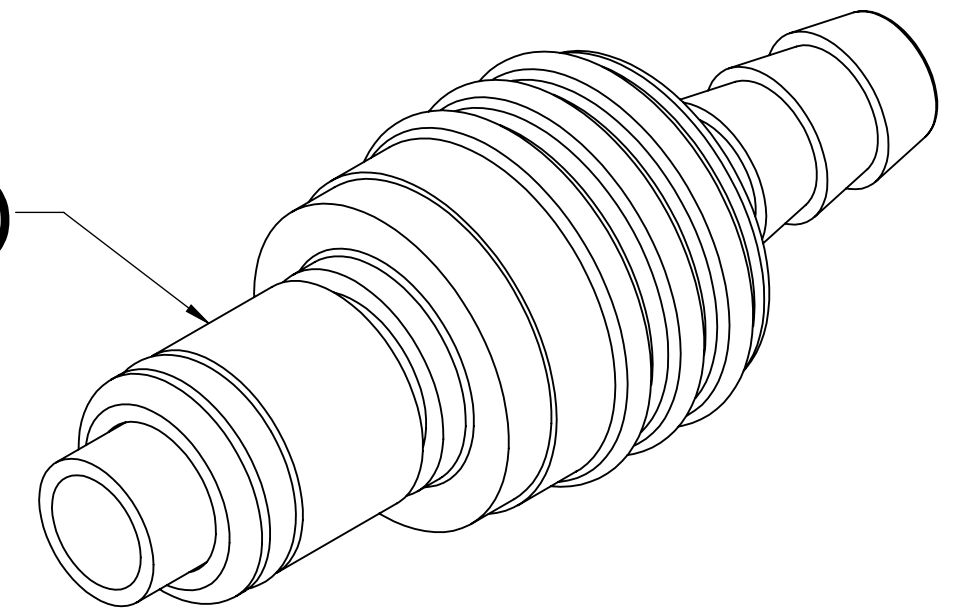
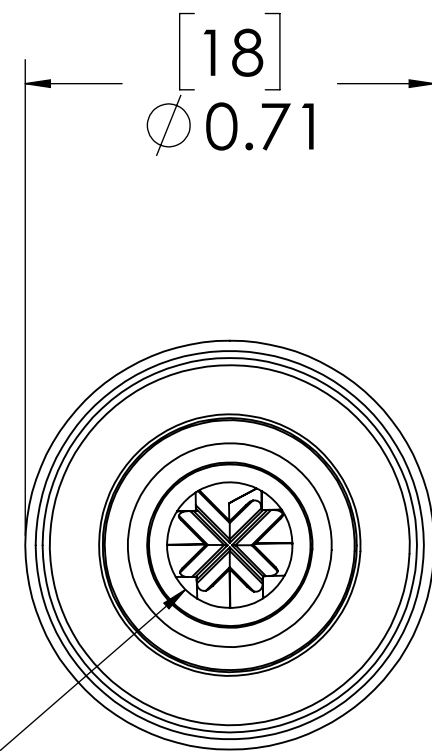


REVISIONS						
SHEET	ZONE	REV.	ECO	DESCRIPTION	DATE	APPROVED
1	ALL	A	50253	FORMAT UPDATE	1/8/2018	HRC

**PLUG,
(ACETAL)**



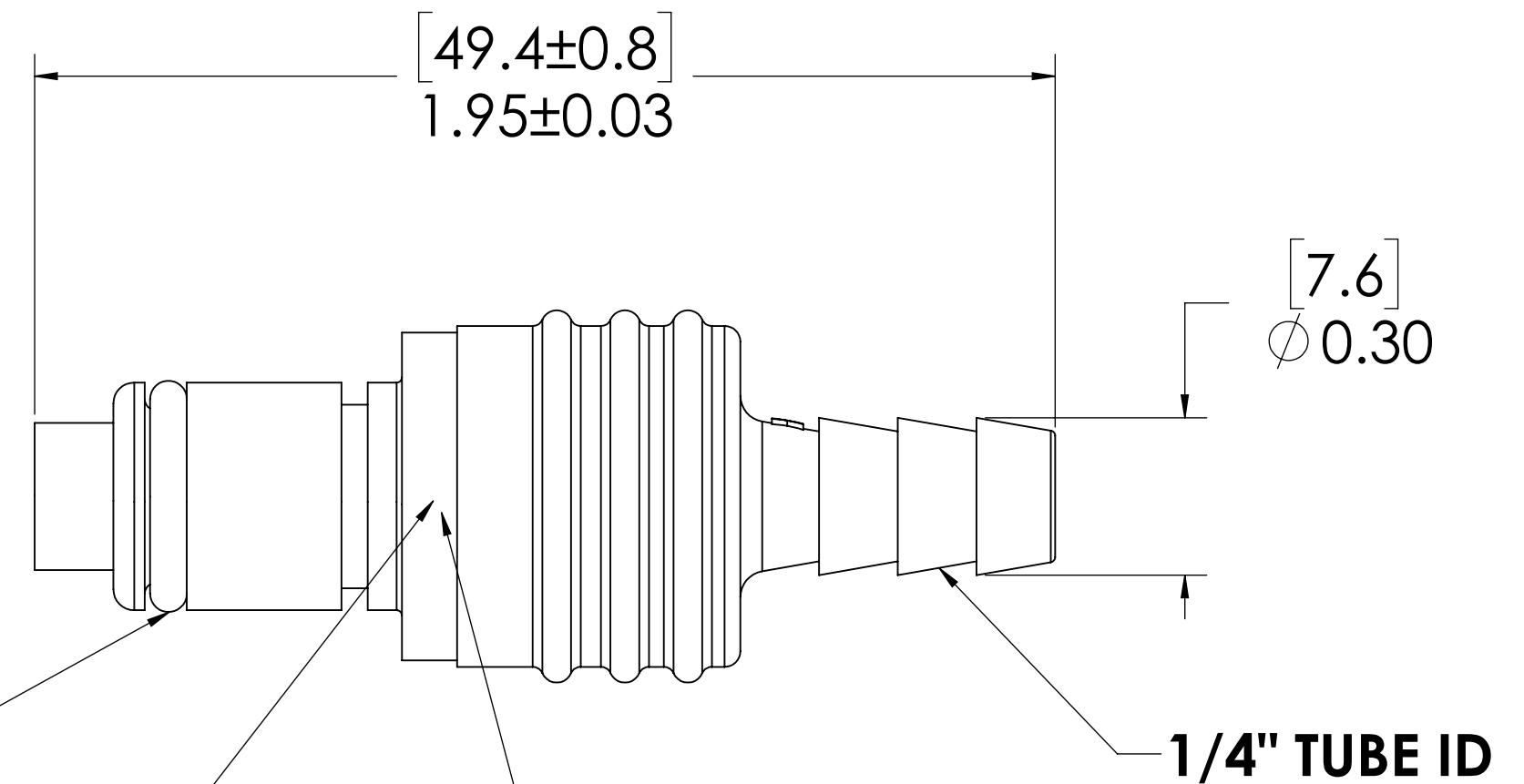
**VALVE,
(ACETAL)**



**O-RING,
EXTERNAL
(EPDM)**

**O-RING,
INETRNAL
(EPDM)**

**VALVE SPRING,
(STAINLESS STEEL)**



NOTES:

- MATERIAL: POLYPROPYLENE
- COLOR: ALMOND
- O-RING MATERIAL: EPDM
- O-RINGS LUBRICATED WITH FOOD GRADE SILICONE OIL, 350 CST.

FOR REFERENCE ONLY

<small>UNLESS OTHERWISE SPECIFIED: DIMENSIONS ARE IN INCHES TOLERANCES: FRACTIONAL ±1/32 ANGULAR: MACH: ±0.5 BEND ±2 ONE PLACE DECIMAL ±0.1 TWO PLACE DECIMAL ±0.01 THREE PLACE DECIMAL ±0.005 TWO PLACE DUAL (mm) [±0.12]</small>	DRAWN	RDA	8/18/2017	
	CHECKED	HRC	8/18/2017	
	ENG APPR.	HRC	01/08/18	
	MFG APPR.	BDB	01-08-18	
PRODUCTION	RK	01-08-18		PART NO: 40PPV-PE2-04MALD DESCRIPTION: LinkTech 40PP Series Straight Male, Valved, 250 HB, Molded Almond Color, Polypropylene
<small>PROPRIETARY AND CONFIDENTIAL THE INFORMATION CONTAINED IN THIS DRAWING IS THE SOLE PROPERTY OF LINKTECH LLC. ANY REPRODUCTION OR DISCLOSURE IN PART OR AS A WHOLE WITHOUT THE WRITTEN PERMISSION OF LINKTECH LLC IS STRICTLY PROHIBITED.</small>	COMMENTS:			SIZE: C DWG. NO.: 40PP400125 REV: A
SCALE: NTS		WEIGHT:	SHEET 1 OF 1	