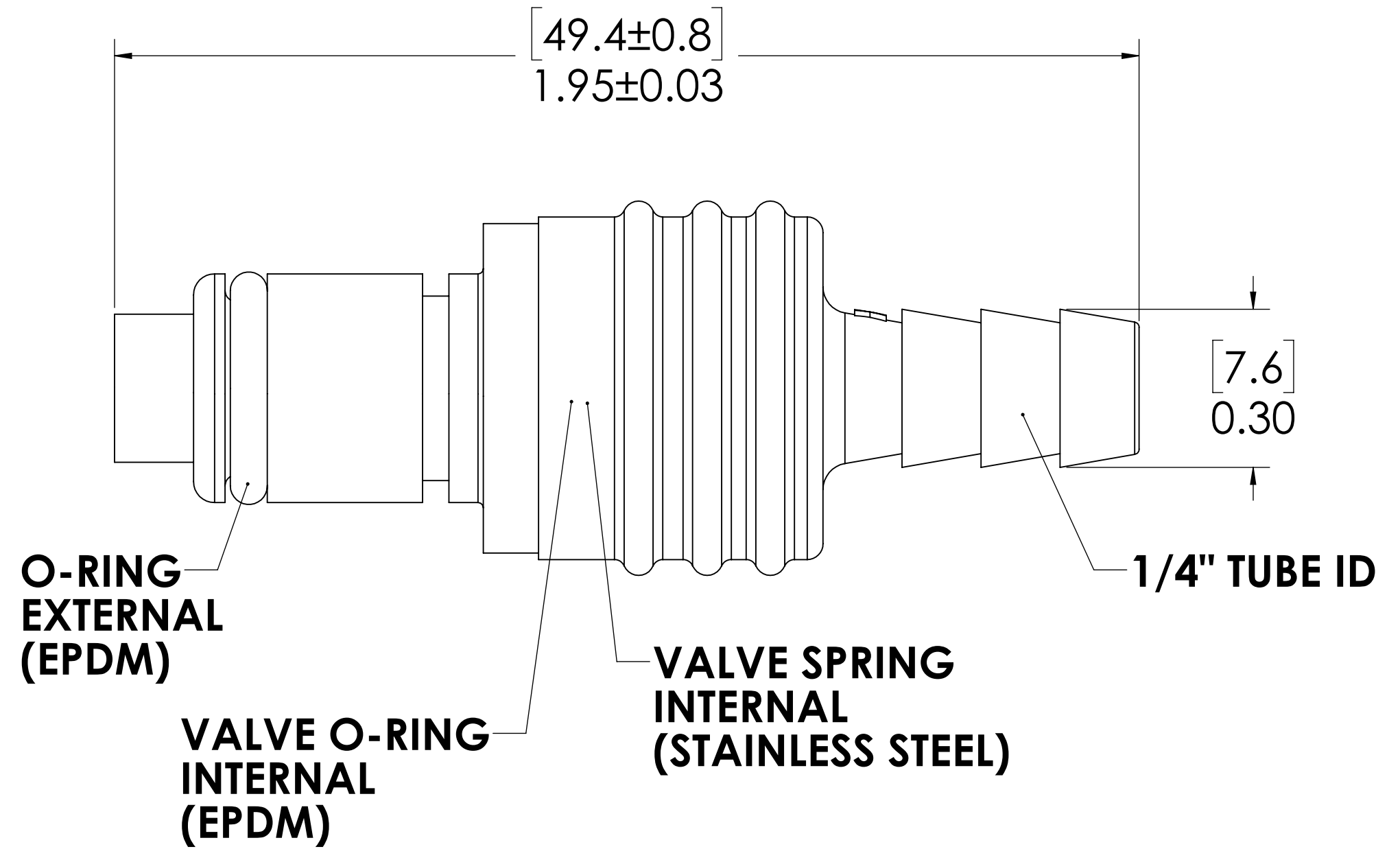
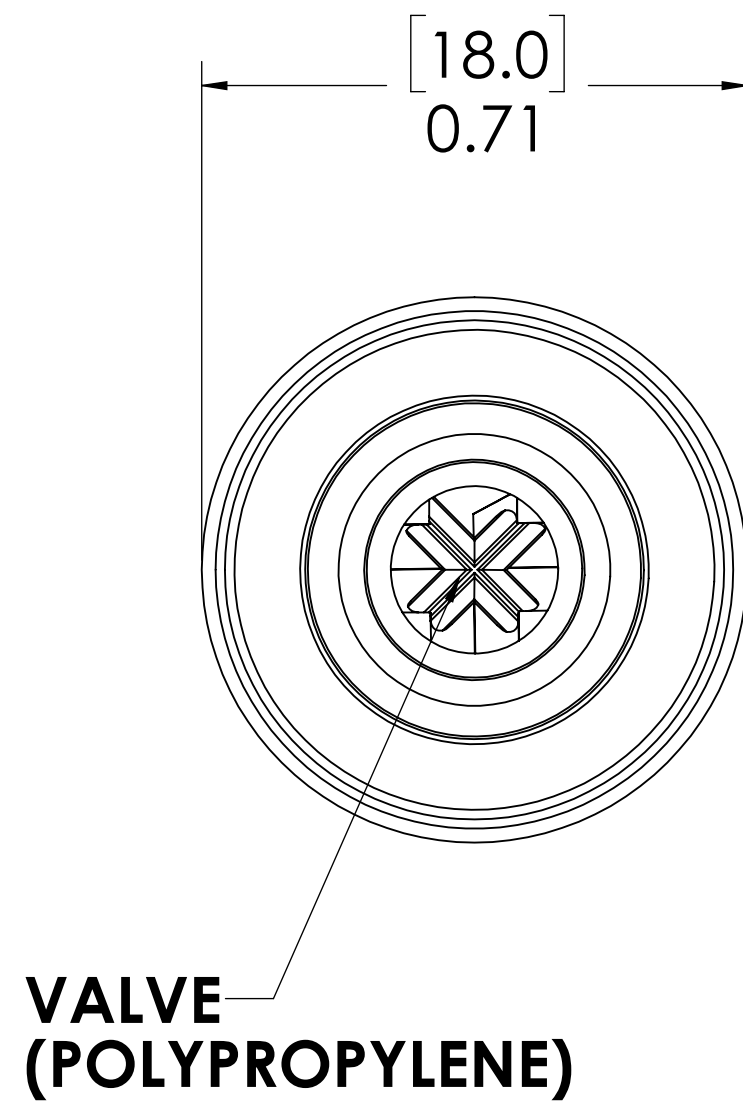
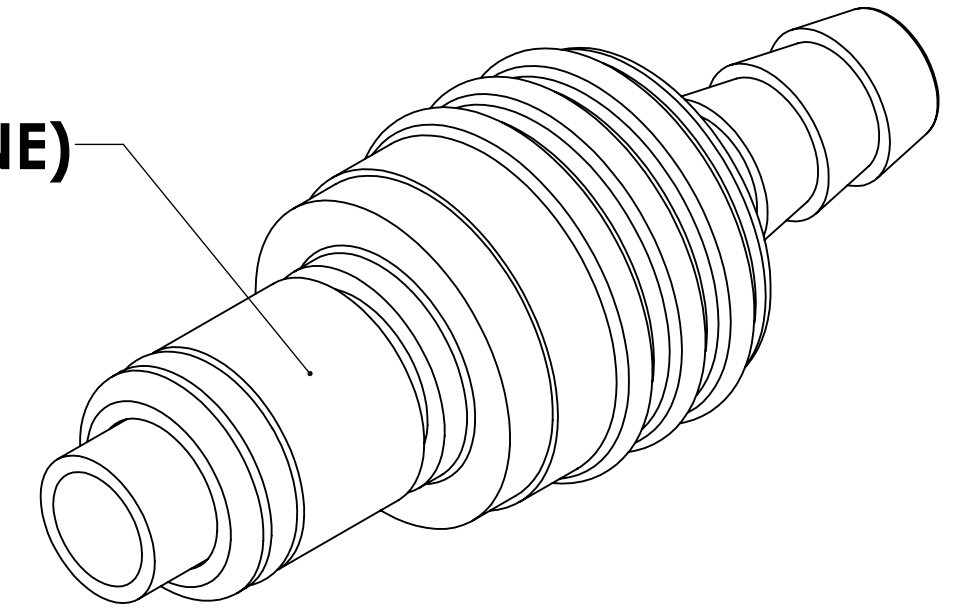


REVISIONS						
SHEET	ZONE	REV.	ECO	DESCRIPTION	DATE	APPROVED
1	C-7 D-5	A	CHANGED O-RINGS FROM FOOD GRADE EPDM TO PEROXIDE CURE EPDM	9/29/2010	DHJ
1	ALL	B	50253	UPDATE DWG TO CURRENT FORMAT & STANDARDS	10/23/2018	HRC


**PLUG
(POLYPROPYLENE)**



NOTES:

1. MATERIAL: POLYPROPYLENE
2. COLOR: GREY
3. O-RING MATERIAL: EPDM
4. O-RINGS LUBRICATED WITH FOOD GRADE SILICONE OIL, 350 CST.

FOR REFERENCE ONLY

<small>UNLESS OTHERWISE SPECIFIED: DIMENSIONS ARE IN INCHES TOLERANCES: FRACTIONAL ±1/32 ANGULAR: MACH ±0.5 BEND ±2 ONE PLACE DECIMAL ±0.1 TWO PLACE DECIMAL ±0.01 THREE PLACE DECIMAL ±0.005 TWO PLACE DUAL (mm) [±0.12]</small>	DRAWN	LMP	3/26/2018	 PART NO: 40PPV-PE2-04 DESCRIPTION: LinkTech 40PP Series Inline Plug Male, Valved, 1/4" HB, Polypropylene
	CHECKED	HRC	3/26/2018	
	ENG APPR.	HRC	10/23/18	
	MFG APPR.	BDB	10/23/18	
PRODUCTION	LS	10/23/18	COMMENTS:	SIZE DWG. NO. REV C 40PP400040 B
<small>PROPRIETARY AND CONFIDENTIAL THE INFORMATION CONTAINED IN THIS DRAWING IS THE SOLE PROPERTY OF LINKTECH LLC. ANY REPRODUCTION OR DISCLOSURE IN PART OR AS A WHOLE WITHOUT THE WRITTEN PERMISSION OF LINKTECH LLC IS STRICTLY PROHIBITED.</small>			SCALE: NTS WEIGHT:	SHEET 1 OF 1