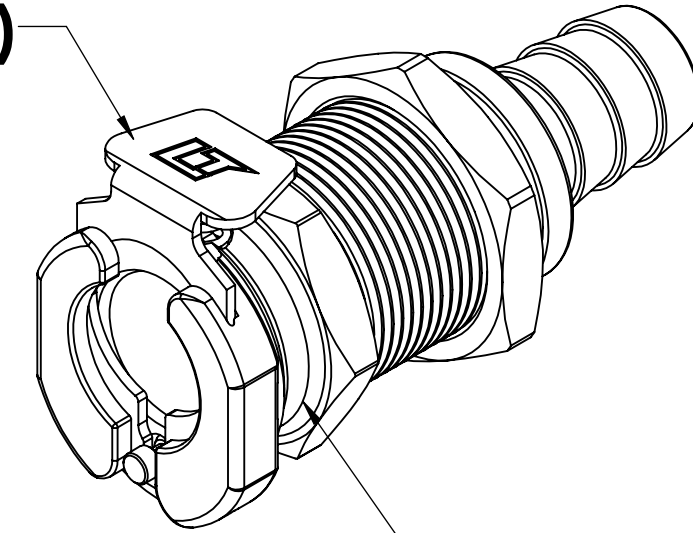
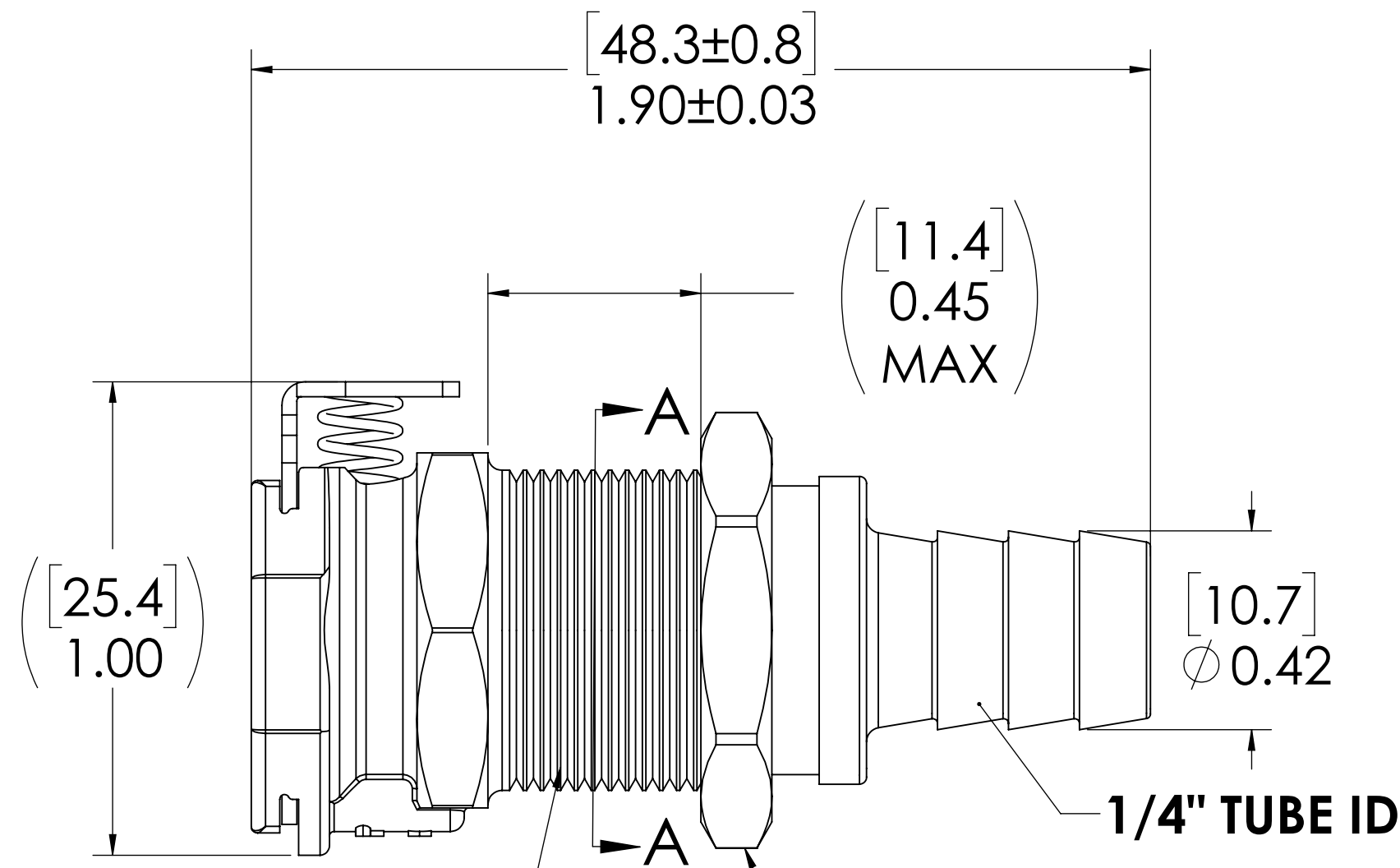
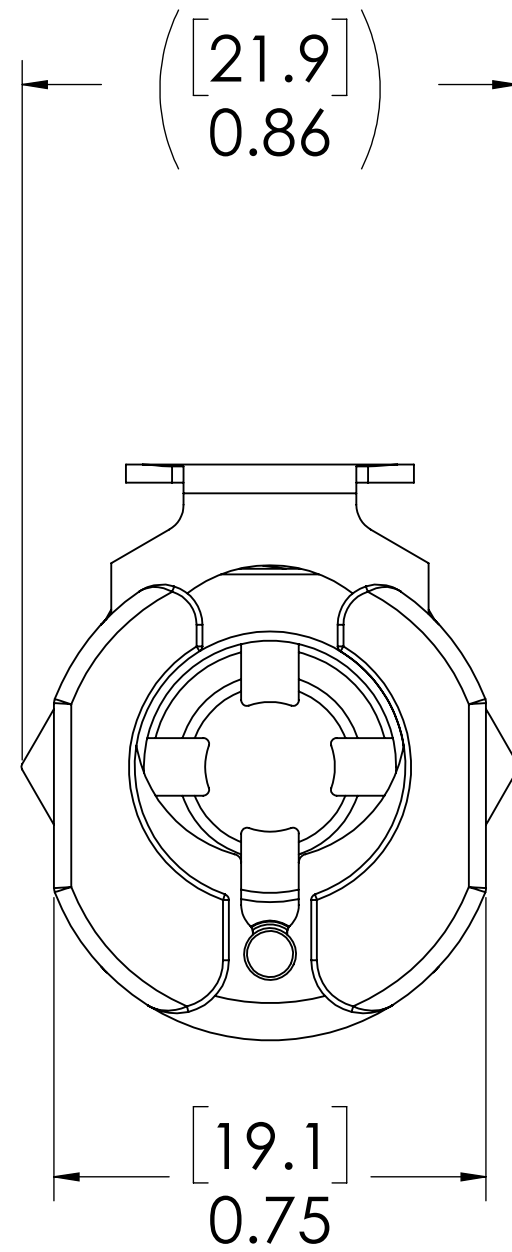


REVISIONS						
SHEET	ZONE	REV.	ECO	DESCRIPTION	DATE	APPROVED
1	A-1	A		CORRECTED DWG NO.	2/24/2011	DHJ
1	ALL	B	50253	UPDATE DWGS TO CURRENT FORMAT & STANDARDS	10/30/2018	HRC

**LATCH HARDWARE  
(STAINLESS STEEL)**

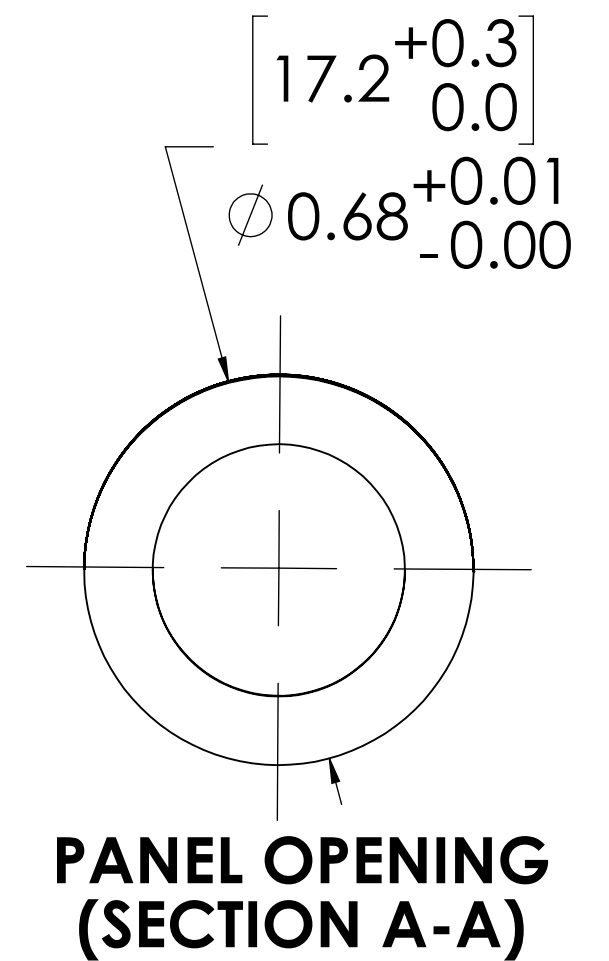


**SOCKET  
(POLYPROPYLENE)**



**11/16" - 24 UNS THREAD**

**PANEL NUT  
(BRASS, NICKEL PLATED)  
(PACKAGED SEPARATELY)**



**PANEL OPENING  
(SECTION A-A)**

- NOTES:**
- MATERIAL: POLYPROPYLENE
  - COLOR: GREY

**FOR REFERENCE ONLY**

<small>UNLESS OTHERWISE SPECIFIED: DIMENSIONS ARE IN INCHES TOLERANCES: FRACTIONAL ± 1/32 ANGULAR: MACH ± 0.5 BEND ± 2 ONE PLACE DECIMAL ± 0.1 TWO PLACE DECIMAL ± 0.01 THREE PLACE DECIMAL ± 0.005 TWO PLACE DUAL (mm) [±0.12]</small>	DRAWN	LMP	6/11/2018	
	CHECKED	HRC	6/11/2018	
	ENG APPR.	HRC	10/30/18	
	MFG APPR.	BDB	10/30/18	
PRODUCTION	LS	10/30/18		<b>PART NO: 40PP-S3-04</b> <b>DESCRIPTION: LinkTech 40PP Series, Panel Mt. Socket, Non-Valved, 1/4" HB, Polypropylene</b>
<small>THE INFORMATION CONTAINED IN THIS DRAWING IS THE SOLE PROPERTY OF LINKTECH LLC. ANY REPRODUCTION OR DISCLOSURE IN PART OR AS A WHOLE WITHOUT THE WRITTEN PERMISSION OF LINKTECH LLC IS STRICTLY PROHIBITED.</small>				<b>SIZE DWG. NO. REV</b> <b>C 40PP400062 B</b>
SCALE: NTS			WEIGHT:	SHEET 1 OF 1