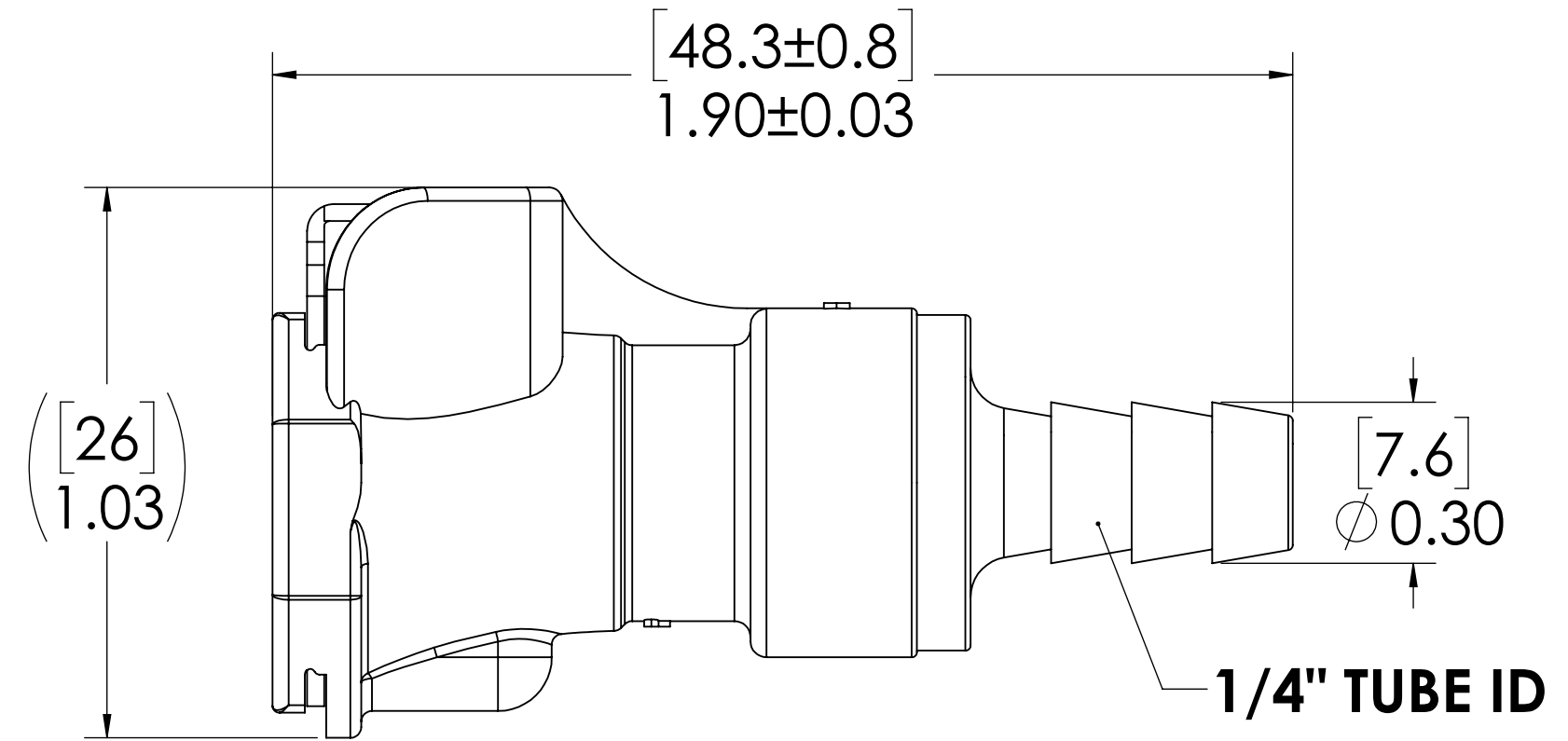
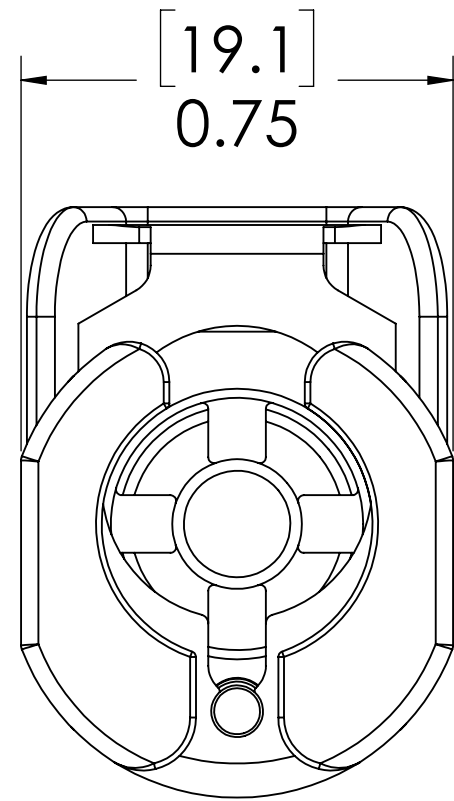
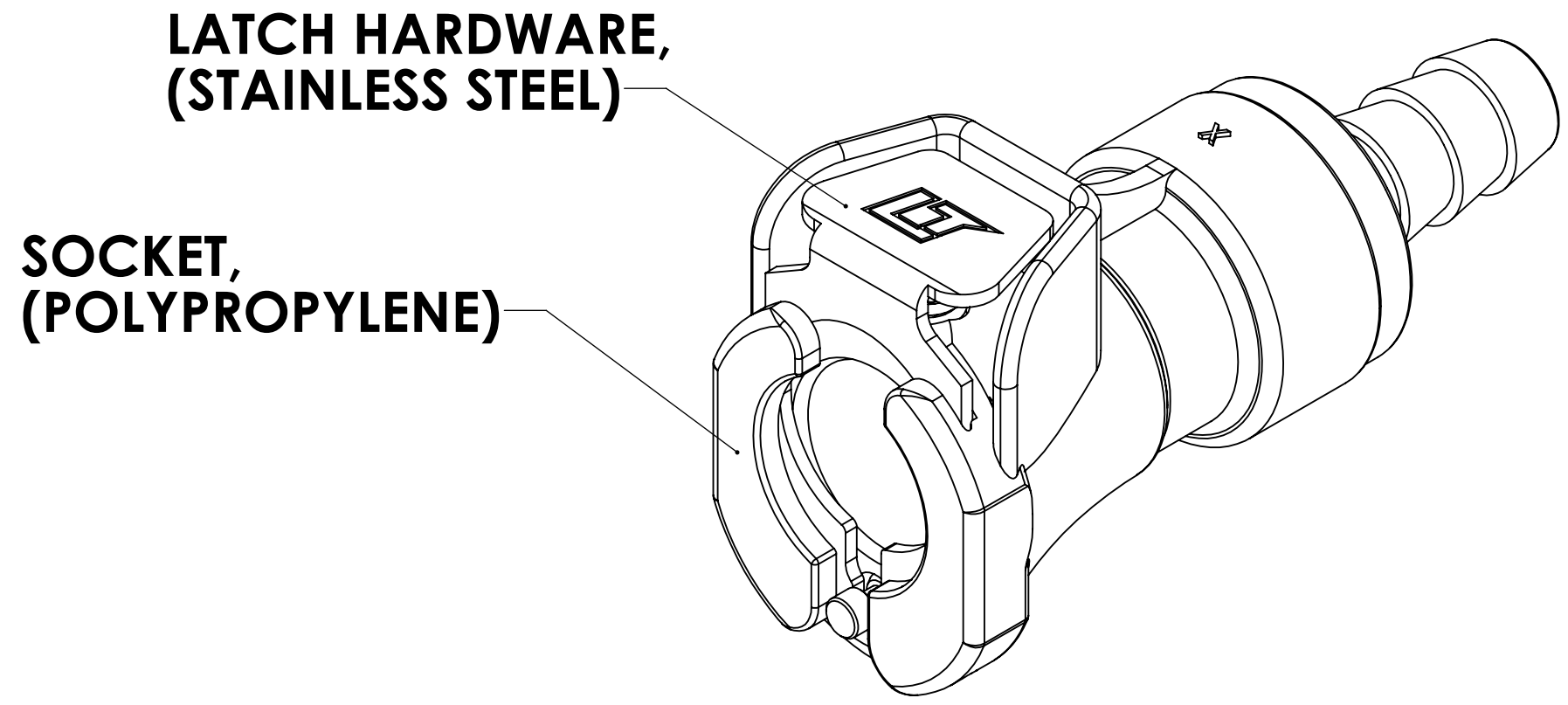



| REVISIONS | | | | | | |
|-----------|------|------|-------|--------------------|-----------|----------|
| SHEET | ZONE | REV. | ECO | DESCRIPTION | DATE | APPROVED |
| 1 | A-1 | A | | CORRECTED DWG NO | 2/24/2011 | DHJ |
| 1 | ALL | B | 50253 | 2017 FORMAT UPDATE | 6/28/2018 | HRC |



- NOTES:**
- MATERIAL: POLYPROPYLENE
 - COLOR: GREY

FOR REFERENCE ONLY

| | | | | |
|---|---|------------------------------|-----------|---|
| <small>UNLESS OTHERWISE SPECIFIED: DIMENSIONS ARE IN INCHES TOLERANCES: FRACTIONAL ± 1/32 ANGULAR: MACH ± 0.5 BEND ± 2 ONE PLACE DECIMAL ± 0.1 TWO PLACE DECIMAL ± 0.01 THREE PLACE DECIMAL ± 0.005 TWO PLACE DUAL (mm) [±0.12]</small> | DRAWN | DHJ | 2/15/11 |  PART NO: 40PP-S2-04 DESCRIPTION: LinkTech 40PP Series Straight Female, Non-valved, 1/4" HB, Molded Grey Color, Polypropylene |
| | CHECKED | HRC | 6/28/18 | |
| | ENG APPR. | HRC | 6/28/18 | |
| | MFG APPR. | BDB | 6/28/18 | |
| PRODUCTION | LS | 6/28/18 | COMMENTS: | |
| <small>PROPRIETARY AND CONFIDENTIAL THE INFORMATION CONTAINED IN THIS DRAWING IS THE SOLE PROPERTY OF LINKTECH LLC. ANY REPRODUCTION OR DISCLOSURE IN PART OR AS A WHOLE WITHOUT THE WRITTEN PERMISSION OF LINKTECH LLC IS STRICTLY PROHIBITED.</small> | SIZE C DWG. NO. 40PP400056 SCALE: NTS WEIGHT: | REV B SHEET 1 OF 1 | | |