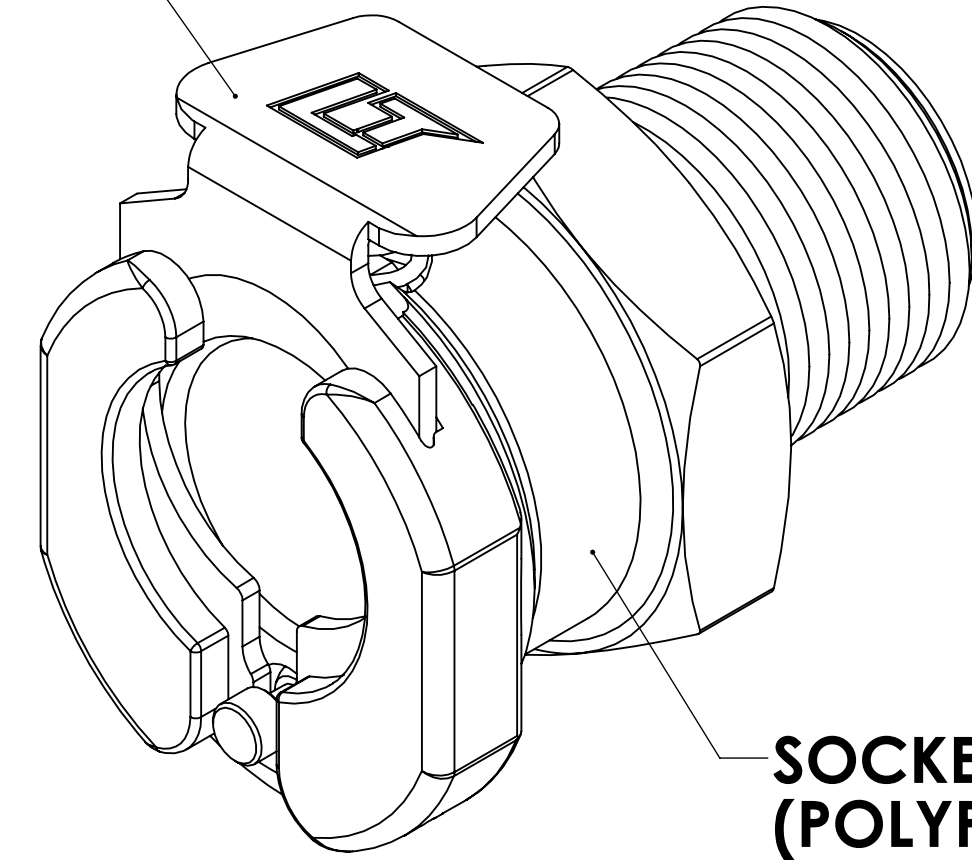
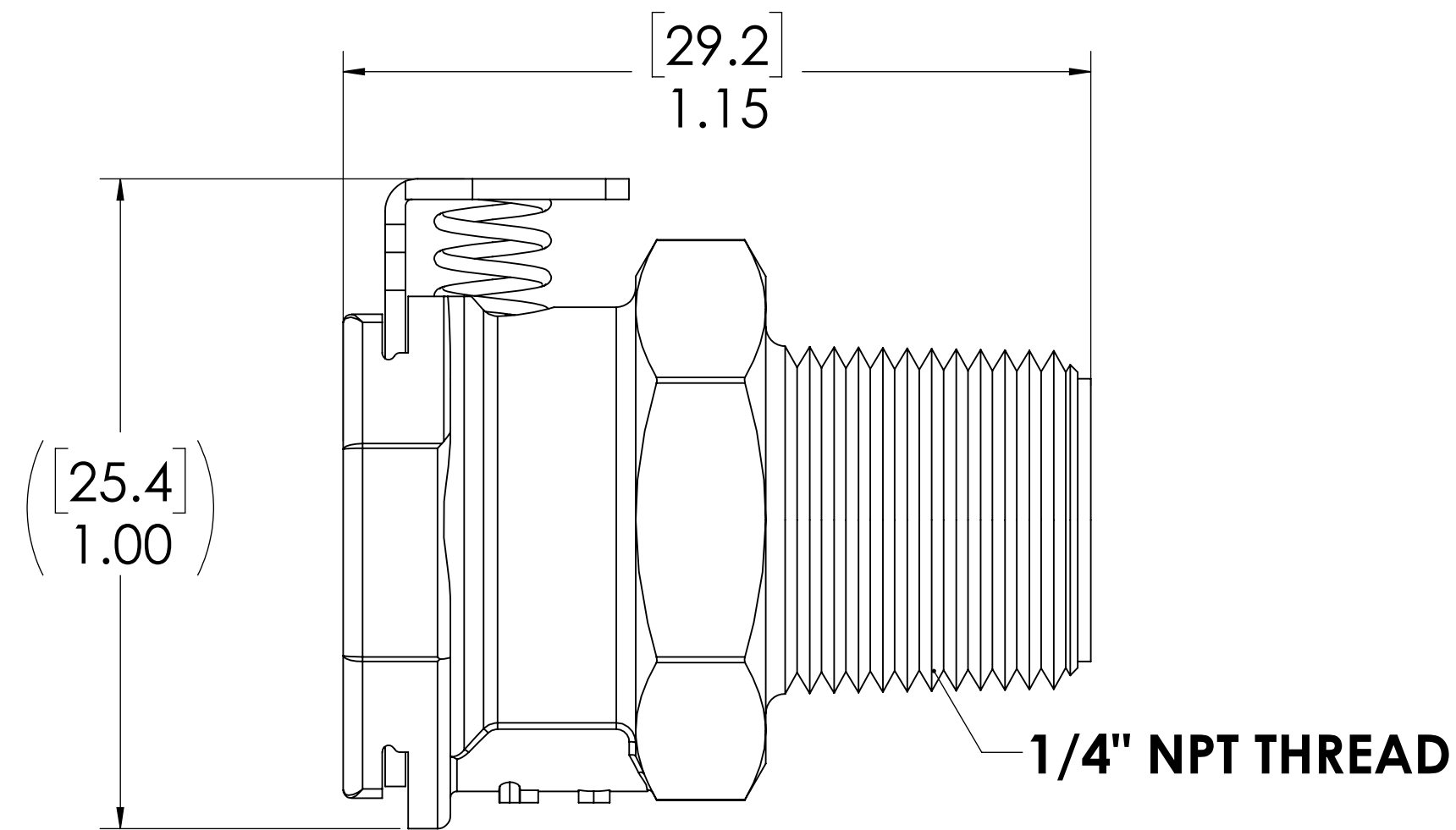
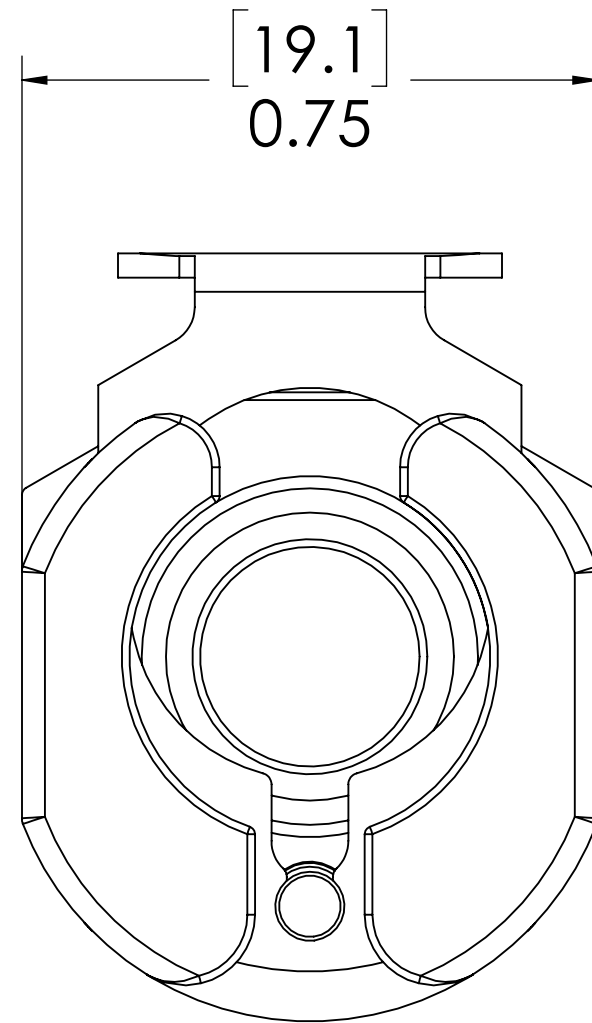


| REVISIONS | | | | | | |
|-----------|------|------|-------|--|-----------|----------|
| SHEET | ZONE | REV. | ECO | DESCRIPTION | DATE | APPROVED |
| 1 | ALL | A | 50242 | UPDATE DWG TO CURRENT FORMAT & STANDARDS | 11/6/2018 | HRC |

**LATCH HARDWARE
(STAINLESS STEEL)**




**SOCKET BODY
(POLYPROPYLENE)**



NOTES:

- MATERIAL: POLYPROPYLENE
- COLOR: GREY

FOR REFERENCE ONLY

| | | | | |
|---|-----------|---------|--------------|---|
| <small>UNLESS OTHERWISE SPECIFIED: DIMENSIONS ARE IN INCHES TOLERANCES: FRACTIONAL ± 1/32 ANGULAR: MACH ± 0.5 BEND ± 2 ONE PLACE DECIMAL ± 0.1 TWO PLACE DECIMAL ± 0.01 THREE PLACE DECIMAL ± 0.005 TWO PLACE DUAL (mm) [±0.12]</small> | DRAWN | LMP | 6/25/2018 |  PART NO: 40PP-S1-04 DESCRIPTION: LinkTech 40PP Series, Male Thread Socket, Non-Valved, 1/4" NPT, Polypropylene |
| | CHECKED | HRC | 6/25/2018 | |
| | ENG APPR. | HRC | 11/6/18 | |
| | MFG APPR. | BDB | 11/6/18 | |
| PRODUCTION | LS | 11/6/18 | | |
| <small>PROPRIETARY AND CONFIDENTIAL THE INFORMATION CONTAINED IN THIS DRAWING IS THE SOLE PROPERTY OF LINKTECH LLC. ANY REPRODUCTION OR DISCLOSURE IN PART OR AS A WHOLE WITHOUT THE WRITTEN PERMISSION OF LINKTECH LLC IS STRICTLY PROHIBITED.</small> | COMMENTS: | | | SIZE DWG. NO. REV C 40PP400083 A |
| SCALE: NTS WEIGHT: | | | SHEET 1 OF 1 | |