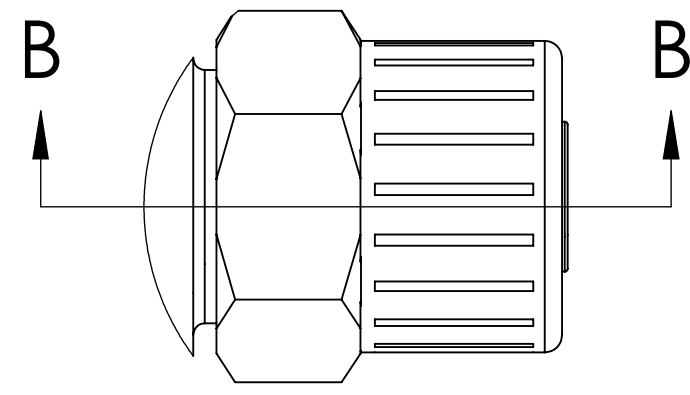
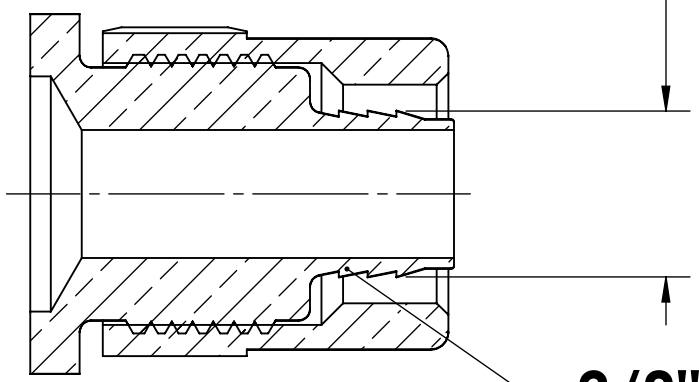


REVISIONS						
SHEET	ZONE	REV.	ECO	DESCRIPTION	DATE	APPROVED
1	ALL	A	50242	PIN, PIN SPRING @ 2017 FORMAT UPDATE	6/28/2018	HRC



DETAIL A

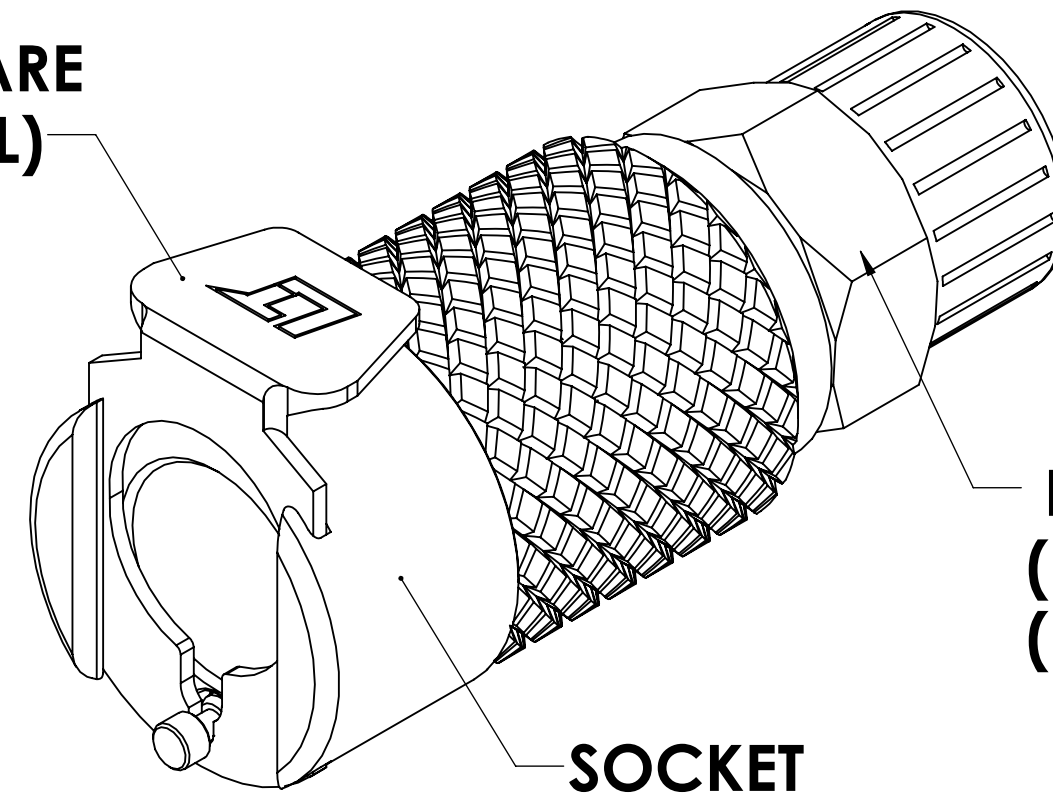


SECTION B-B

**LATCH HARDWARE
(STAINLESS STEEL)**

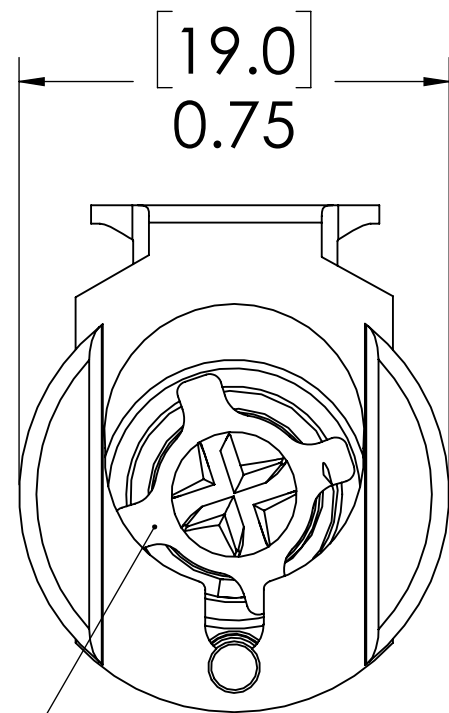
[7.3]
0.29

3/8" TUBE OD



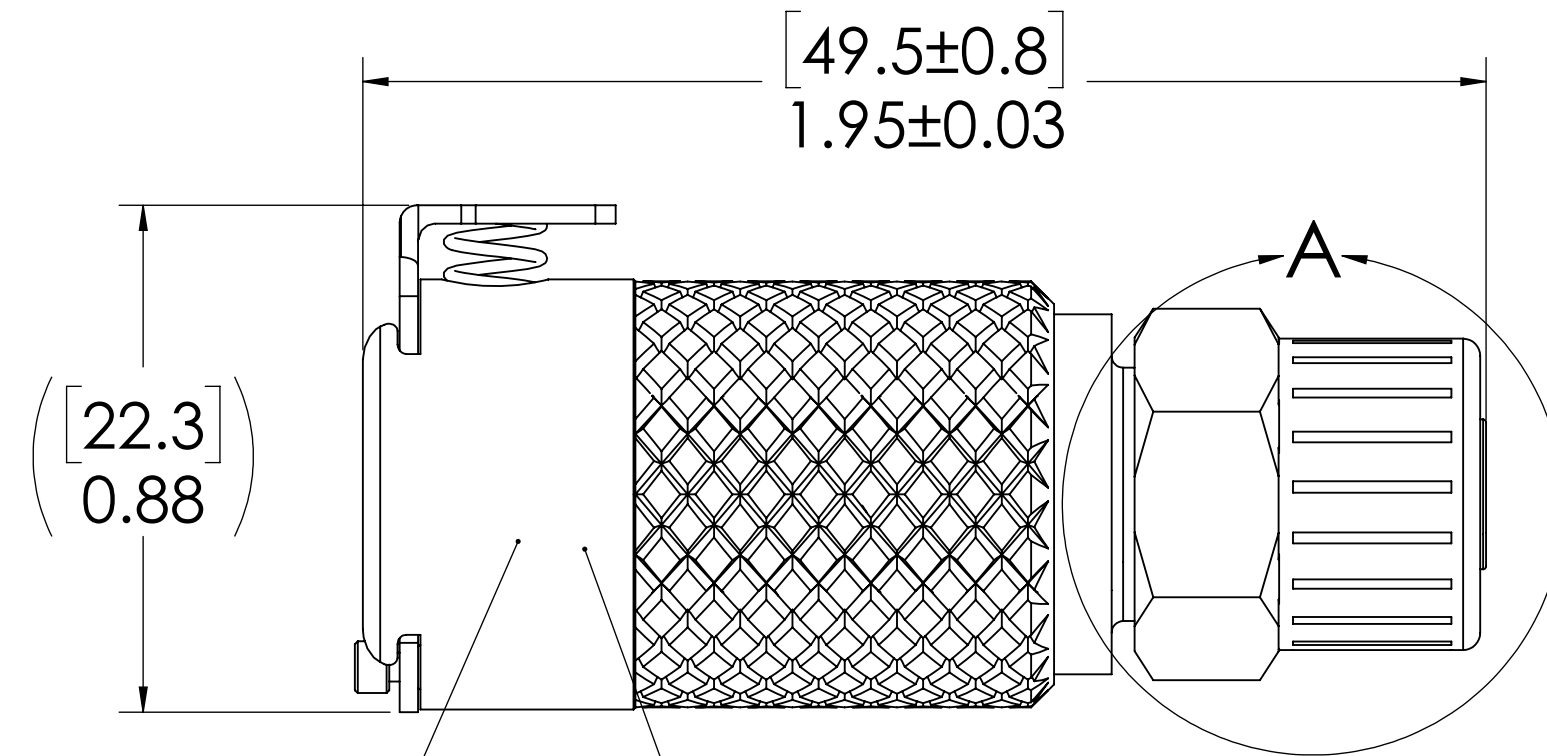
**PTF NUT
(BRASS, NICKEL PLATED)
(PACKAGED SEPARATELY)**

**SOCKET
(BRASS, NICKEL & CHROME PLATED)**



**VALVE,
(ACETAL)**

[19.0]
0.75




**VALVE SPRING
INTERNAL
(STAINLESS STEEL)**

**VALVE O-RING
INTERNAL
(BUNA-N)**

NOTES:

- MATERIAL: BRASS
- FINISH: CHROME
- O-RING MATERIAL: BUNA-N
- O-RINGS LUBRICATED WITH FOOD GRADE SILICONE OIL, 350 CST.

FOR REFERENCE ONLY

UNLESS OTHERWISE SPECIFIED:		NAME	DATE	 PART NO: 40CBV-SB9-06
DIMENSIONS ARE IN INCHES TOLERANCES: FRACTIONAL ±1/32 ANGULAR: MACH ±0.5 BEND ±2 ONE PLACE DECIMAL ±0.1 TWO PLACE DECIMAL ±0.01 THREE PLACE DECIMAL ±0.005 TWO PLACE DUAL (mm) [±0.12]		DRAWN	LMP 3/21/2018	
PROPRIETARY AND CONFIDENTIAL THE INFORMATION CONTAINED IN THIS DRAWING IS THE SOLE PROPERTY OF LINKTECH LLC. ANY REPRODUCTION OR DISCLOSURE IN PART OR AS A WHOLE WITHOUT THE WRITTEN PERMISSION OF LINKTECH LLC IS STRICTLY PROHIBITED.		CHECKED	HRC 3/21/18	
		ENG APPR.	HRC 6/28/18	
		MFG APPR.	BDB 6/28/18	
		PRODUCTION	LS 6/28/18	SIZE DWG. NO. REV C 40CB400052 A
		COMMENTS:		SCALE: NTS WEIGHT: SHEET 1 OF 1