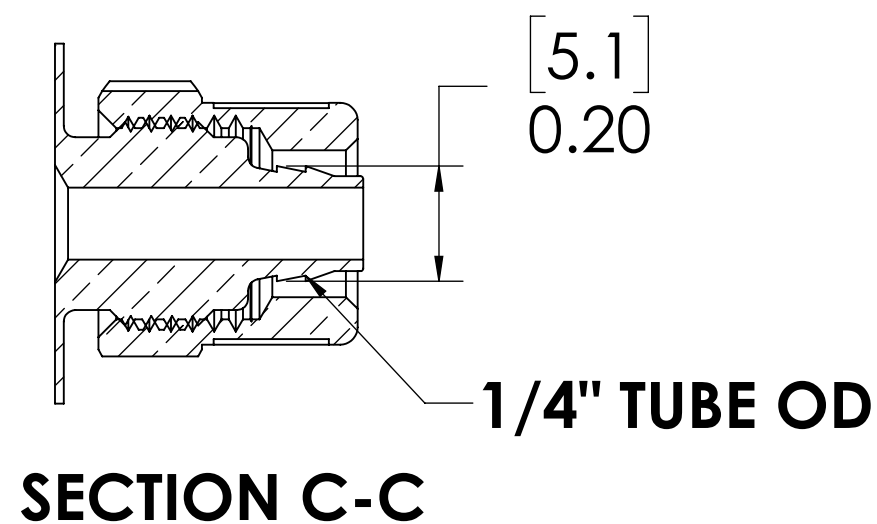
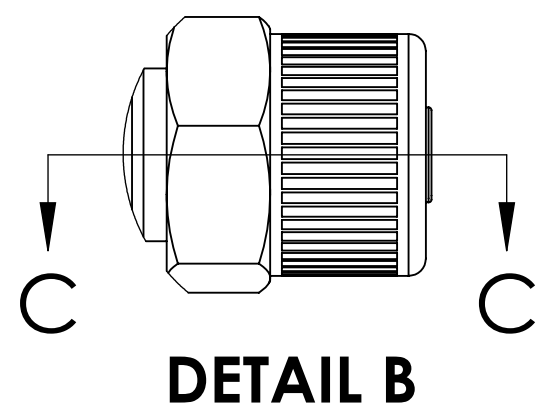
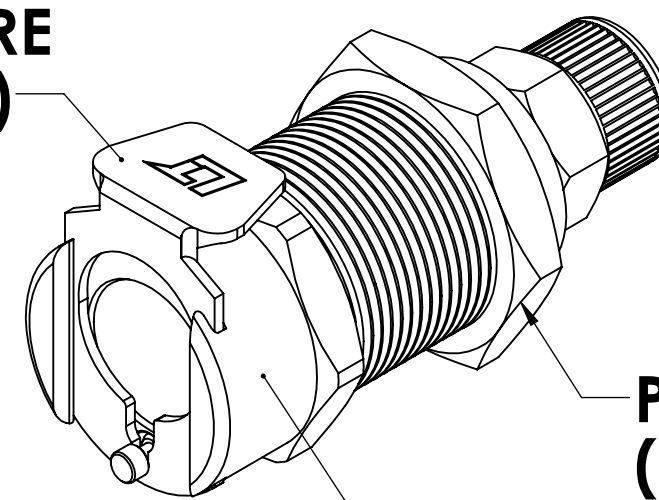


REVISIONS						
SHEET	ZONE	REV.	ECO	DESCRIPTION	DATE	APPROVED
1	ALL	A	50030	CHANGED C129 TO C115	11/7/2012	HRC
1	ALL	A	50030	CORRECTED PART NUMBER	11/7/2012	HRC
1	ALL	A	50030	UPDATED NOTE BLOCK	11/7/2012	HRC
1	ALL	B	50242	UPDATE DWG TO CURRENT FORMAT & STANDARDS	10/18/2018	HRC

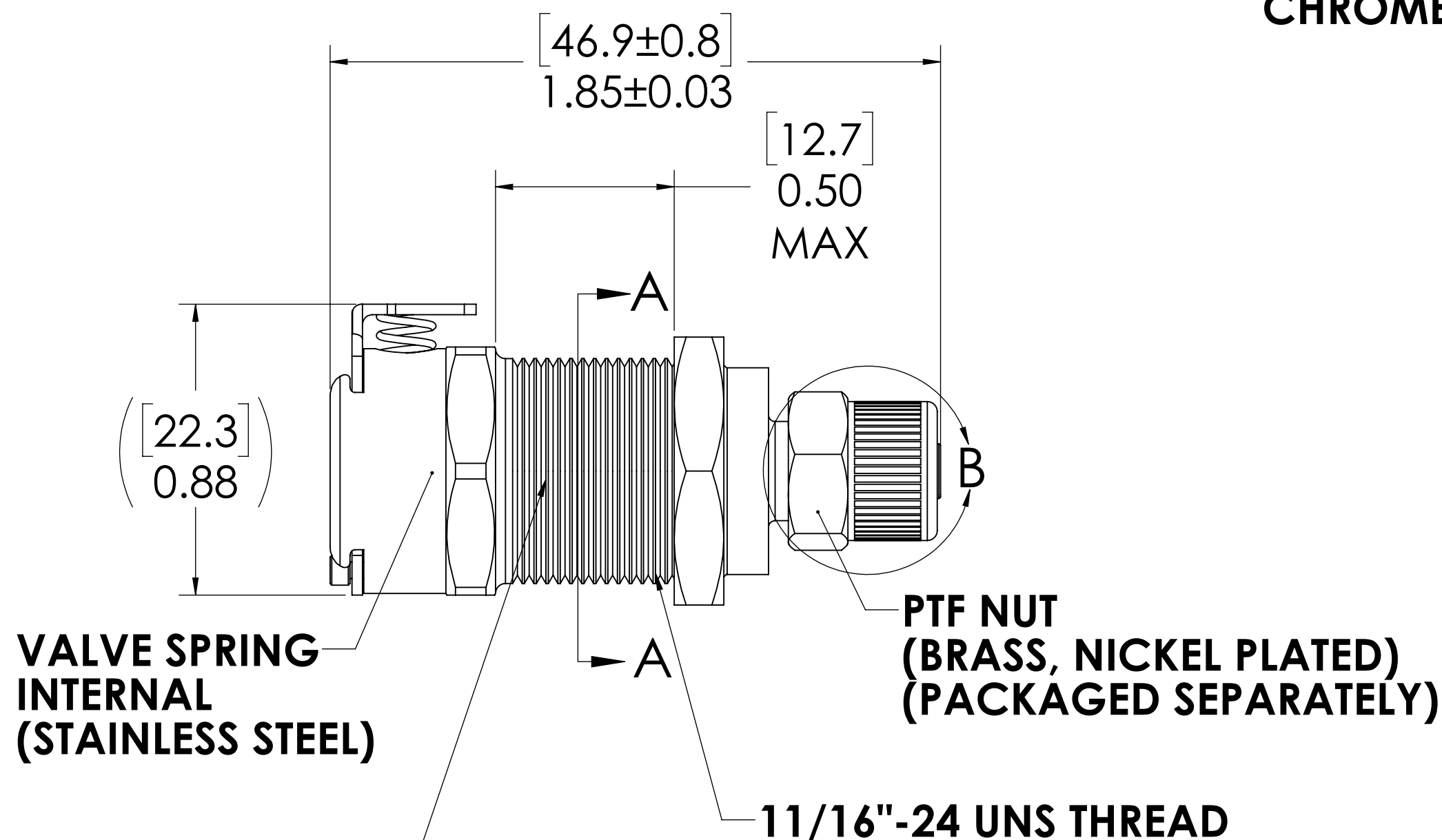
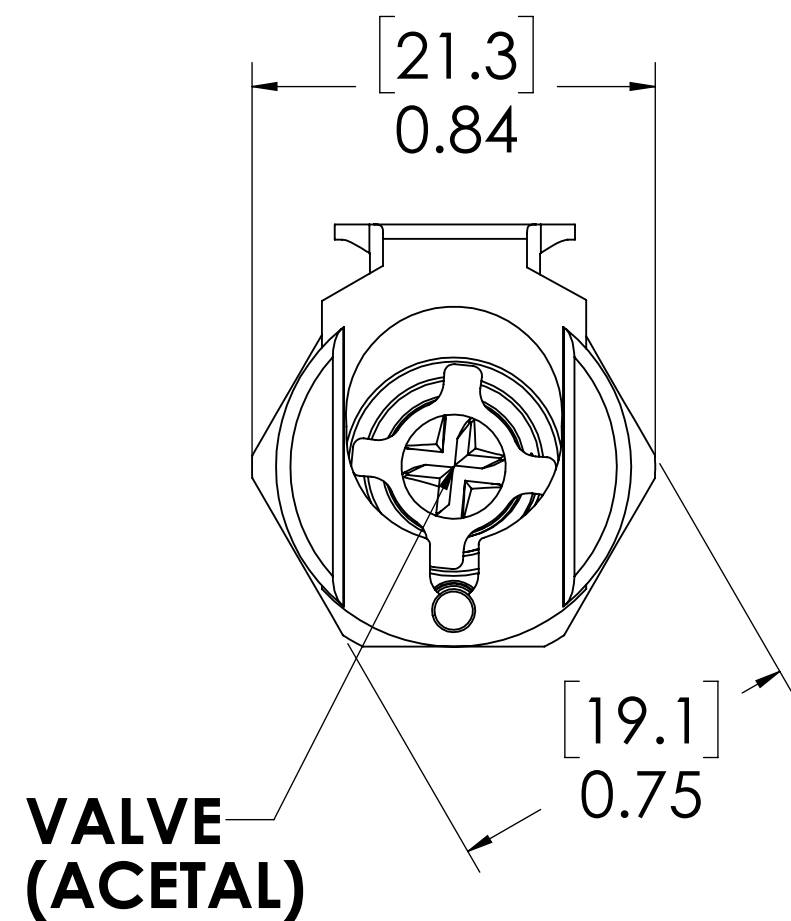


**LATCH HARDWARE  
(STAINLESS STEEL)**

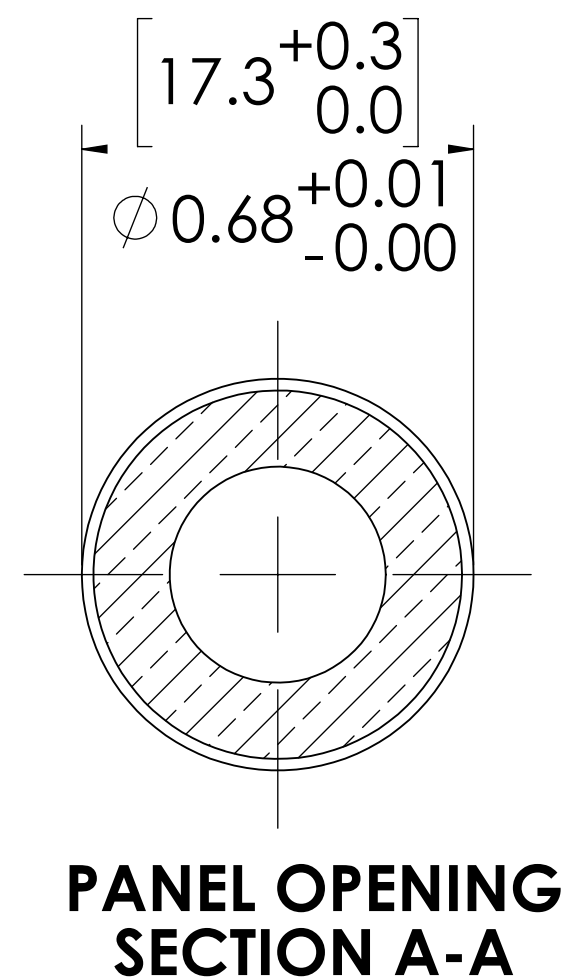


**PANEL NUT  
(BRASS, NICKEL PLATED)  
(PACKAGED SEPARATELY)**

**SOCKET  
(BRASS, NICKEL &  
CHROME PLATED)**



**PTF NUT  
(BRASS, NICKEL PLATED)  
(PACKAGED SEPARATELY)**



**NOTES:**

- MATERIAL: BRASS
- FINISH: CHROME
- O-RING MATERIAL: BUNA-N
- O-RINGS LUBRICATED WITH FOOD GRADE SILICONE OIL, 350 CST.

**FOR REFERENCE ONLY**

UNLESS OTHERWISE SPECIFIED: DIMENSIONS ARE IN INCHES TOLERANCES: FRACTIONAL ± 1/32 ANGULAR: MACH ± 0.5 BEND ± 2 ONE PLACE DECIMAL ± 0.1 TWO PLACE DECIMAL ± 0.01 THREE PLACE DECIMAL ± 0.005 TWO PLACE DUAL (mm) [± 0.12]	DRAWN	LMP	3/15/2018	 <b>LINKTECH</b> PART NO: <b>40CBV-SB8-04</b> DESCRIPTION: LinkTech 40CB Series Panel Mt. Female, Valved, 1/4" PTF, Chrome Brass
	CHECKED	HRC	3/15/2018	
	ENG APPR.	HRC	10/18/18	
	MFG APPR.	BDB	10/18/18	
PRODUCTION	LS	10/18/18	COMMENTS:	SIZE DWG. NO. REV <b>C</b> 40CB400039 <b>B</b>
THE INFORMATION CONTAINED IN THIS DRAWING IS THE SOLE PROPERTY OF LINKTECH LLC. ANY REPRODUCTION OR DISCLOSURE IN PART OR AS A WHOLE WITHOUT THE WRITTEN PERMISSION OF LINKTECH LLC IS STRICTLY PROHIBITED.		SCALE: NTS WEIGHT:		SHEET 1 OF 1