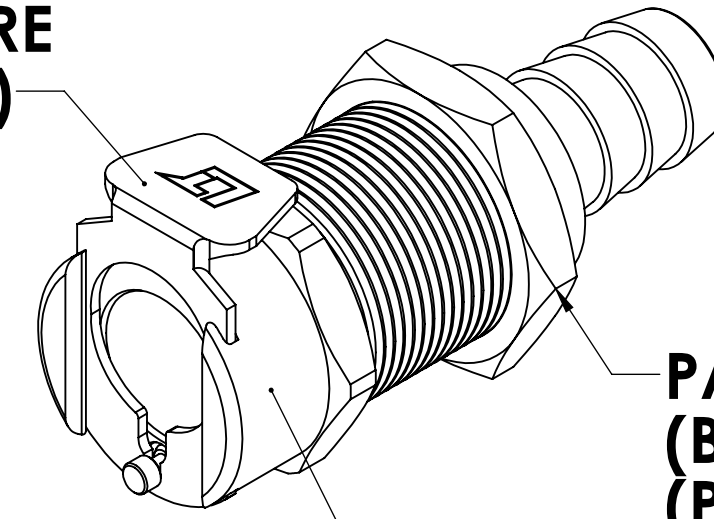


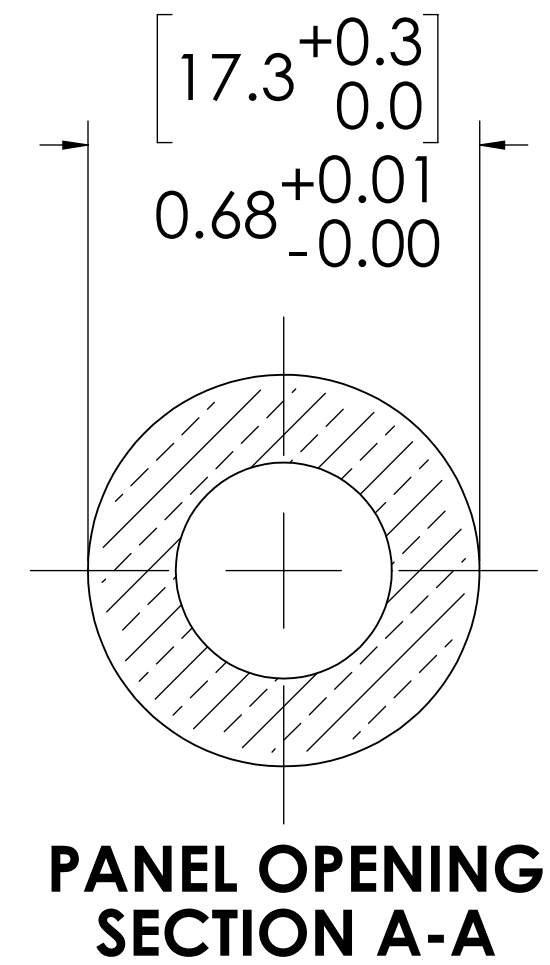
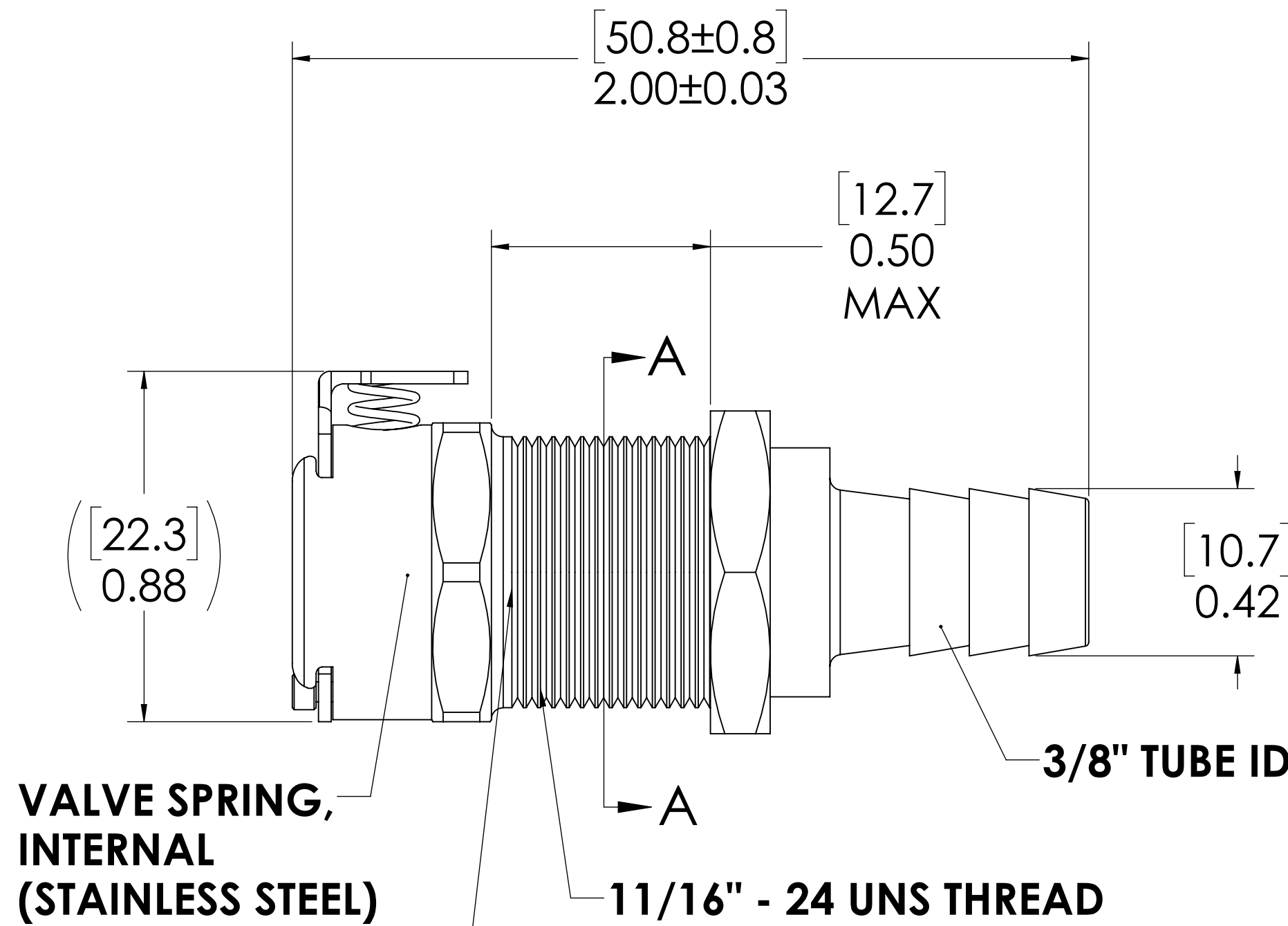
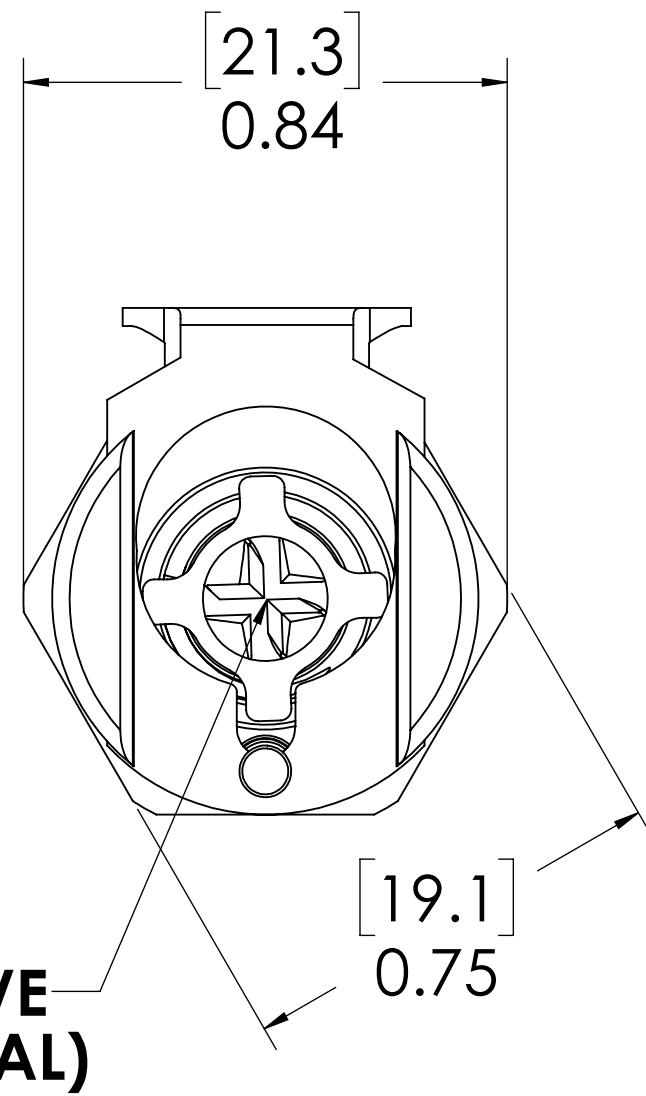
REVISIONS						
SHEET	ZONE	REV.	ECO	DESCRIPTION	DATE	APPROVED
1	ALL	A	50242	DRAFTING UPDATE	10/18/2018	HRC

**LATCH HARDWARE  
(STAINLESS STEEL)**



**PANEL NUT  
(BRASS, NICKEL PLATED)  
(PACKAGED SEPARATELY)**

**SOCKET  
(BRASS, NICKEL &  
CHROME PLATED)**



- NOTES:**
- MATERIAL: BRASS
  - COLOR: CHROME
  - O-RING MATERIAL: BUNA-N
  - O-RINGS LUBRICATED WITH FOOD GRADE SILICONE OIL, 350 CST.

**FOR REFERENCE ONLY**

<small>UNLESS OTHERWISE SPECIFIED: DIMENSIONS ARE IN INCHES TOLERANCES: FRACTIONAL ±1/32 ANGULAR: MACH ±0.5 BEND ±2 ONE PLACE DECIMAL ±0.1 TWO PLACE DECIMAL ±0.01 THREE PLACE DECIMAL ±0.005 TWO PLACE DUAL (mm) [±0.12]</small>	DRAWN	LMP	3/21/2018	
	CHECKED	HRC	3/21/2018	
	ENG APPR.	HRC	10/18/18	
	MFG APPR.	BDB	10/18/18	
PRODUCTION	LS	10/18/18		<b>PART NO: 40CBV-SB3-06</b> <b>DESCRIPTION: LinkTech 40CB Series Panel Mt. Female, Valved, 3/8" HB, Chrome Brass</b>
<small>PROPRIETARY AND CONFIDENTIAL THE INFORMATION CONTAINED IN THIS DRAWING IS THE SOLE PROPERTY OF LINKTECH LLC. ANY REPRODUCTION OR DISCLOSURE IN PART OR AS A WHOLE WITHOUT THE WRITTEN PERMISSION OF LINKTECH LLC IS STRICTLY PROHIBITED.</small>				<b>SIZE DWG. NO. REV</b> <b>C 40CB400259 A</b>
SCALE: NTS WEIGHT:			SHEET 1 OF 1	