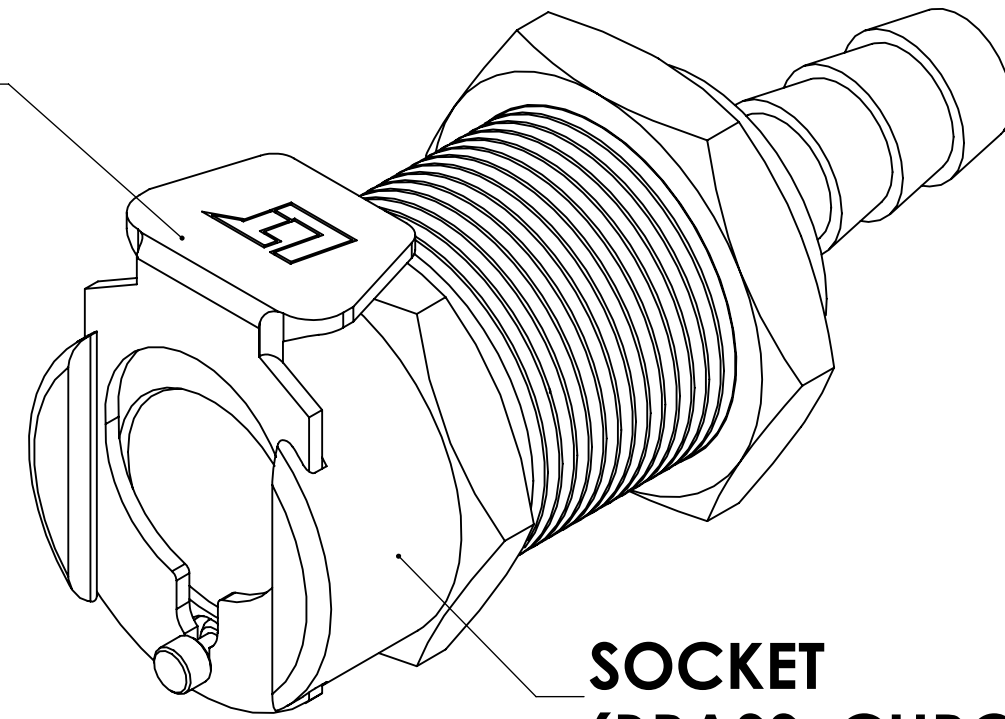


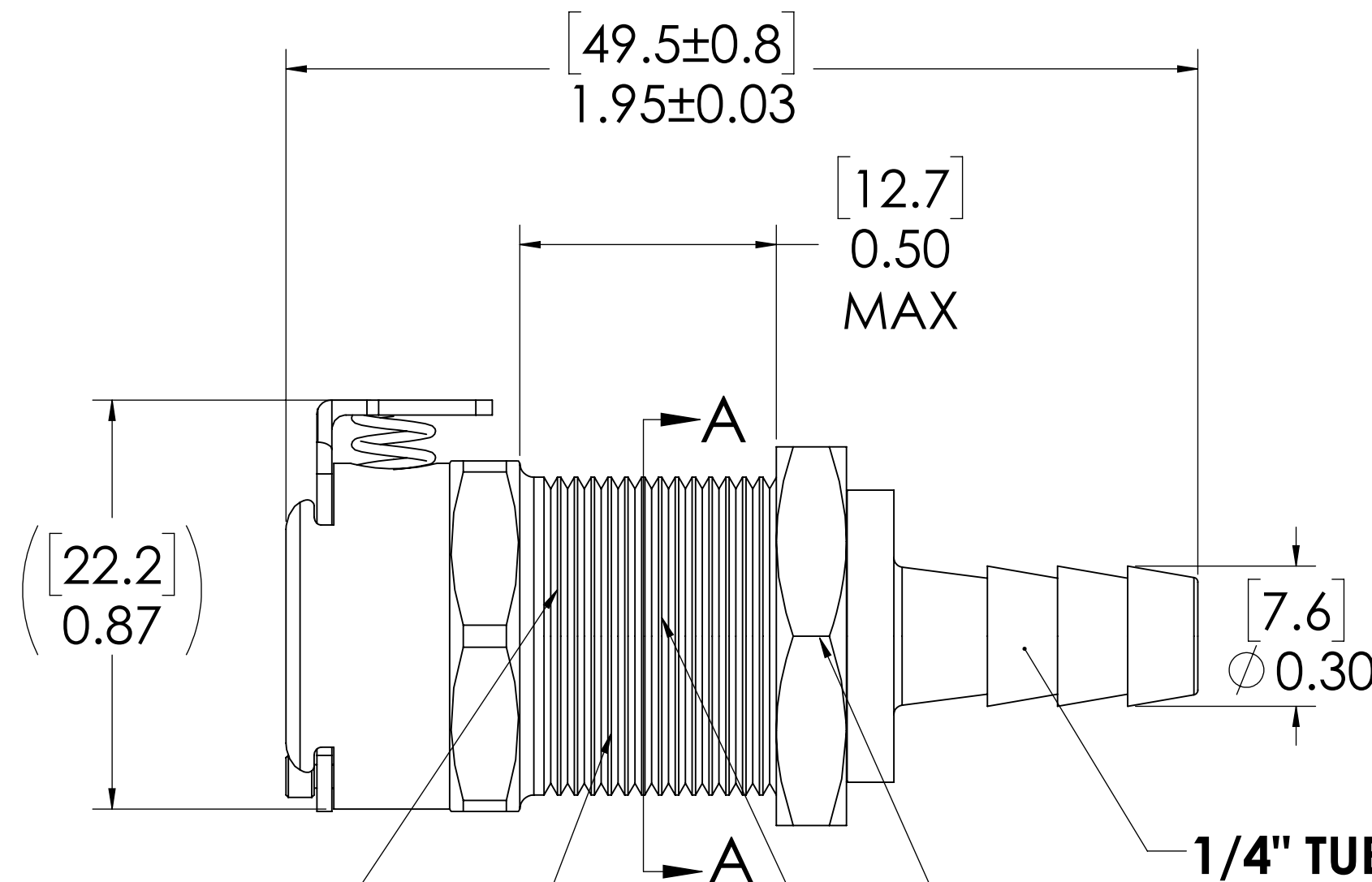
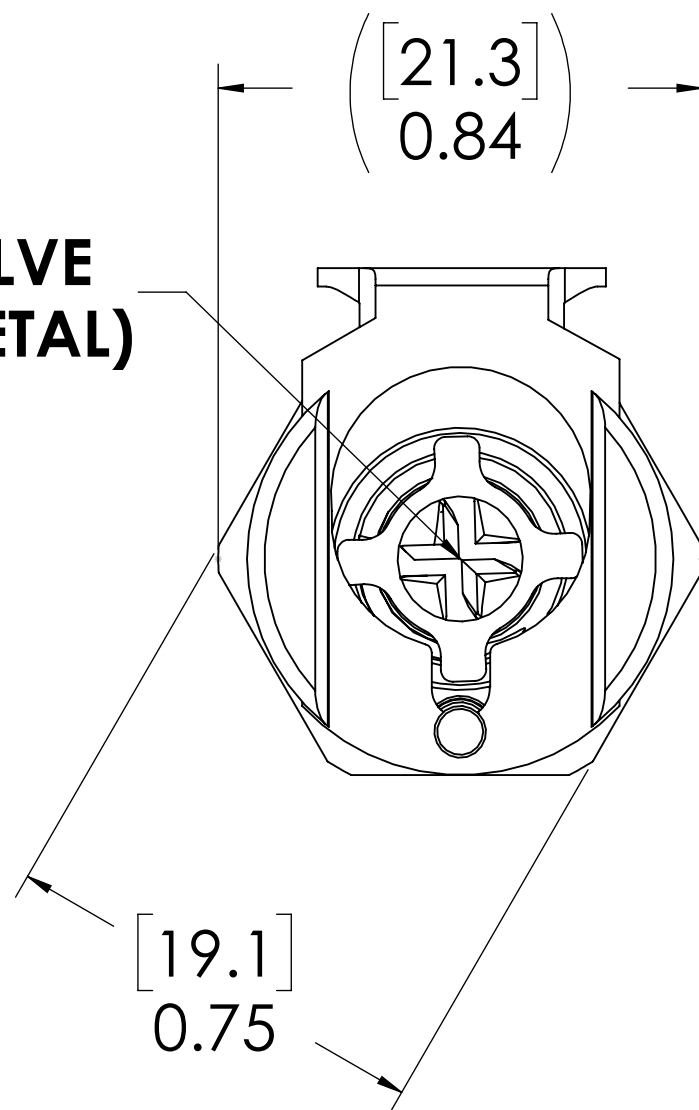
REVISIONS						
SHEET	ZONE	REV.	ECO	DESCRIPTION	DATE	APPROVED
ALL	ALL	A	50242	PIN, PIN SPRING & 2017 FORMAT UPDATE	8/18/2017	HRC

**LATCH HARDWARE
(STAINLESS STEEL)**



**SOCKET
(BRASS, CHROME PLATED)**

**VALVE
(ACETAL)**

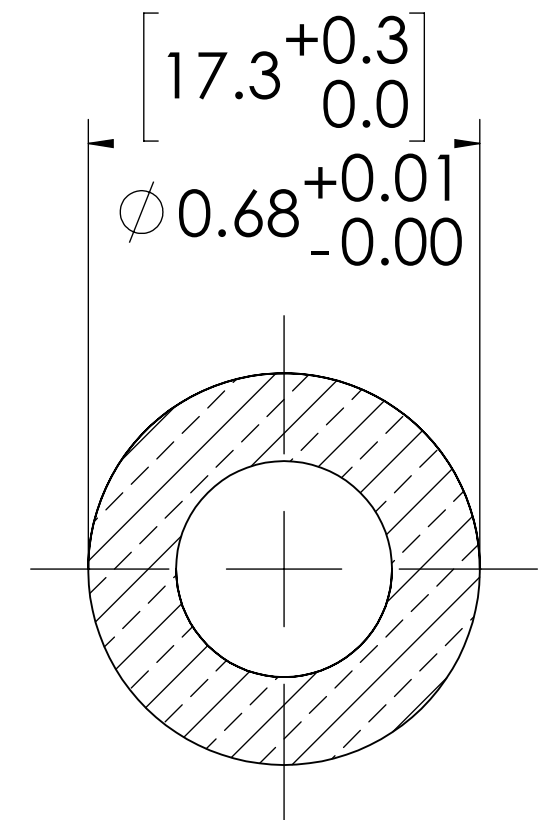


**VALVE SPRING
INTERNAL
(STAINLESS STEEL)**

1/4" TUBE ID

**PANEL NUT
(BRASS, NICKEL PLATED)
(PACKAGE SEPARATELY)**

**VALVE O-RING
INTERNAL
(BUNA-N)**



**PANEL OPENING
(SECTION A-A)**

11/16"-24 UNS THREAD

NOTES:

- MATERIAL: BRASS
- FINISH: CHROME
- O-RING MATERIAL: BUNA-N
- O-RINGS LUBRICATED WITH FOOD GRADE SILICONE OIL, 350 CST.

FOR REFERENCE ONLY

UNLESS OTHERWISE SPECIFIED:	NAME	DATE	
<small>DIMENSIONS ARE IN INCHES TOLERANCES: FRACTIONAL ± 1/32 ANGULAR: MACH ± 0.5 BEND ± 2 ONE PLACE DECIMAL ± 0.1 TWO PLACE DECIMAL ± 0.01 THREE PLACE DECIMAL ± 0.005 TWO PLACE DUAL (mm) [± 0.12]</small>	DRAWN	CBH	
<small>PROPRIETARY AND CONFIDENTIAL THE INFORMATION CONTAINED IN THIS DRAWING IS THE SOLE PROPERTY OF LINKTECH LLC. ANY REPRODUCTION OR DISCLOSURE IN PART OR AS A WHOLE WITHOUT THE WRITTEN PERMISSION OF LINKTECH LLC IS STRICTLY PROHIBITED.</small>	CHECKED	HRC	8/10/17
	ENG APPR.	HRC	8/18/17
	MFG APPR.	BDB	8/18/17
	Q.A.	JJB	8/18/17
COMMENTS:			PART NO: 40CBV-SB3-04 DESCRIPTION: LinkTech 40CB Series Panel Mt. Female, Valved, 1/4" HB, Chrome Brass
SIZE DWG. NO. REV C 40CB400223 A	SCALE: NTS	WEIGHT:	SHEET 1 OF 1