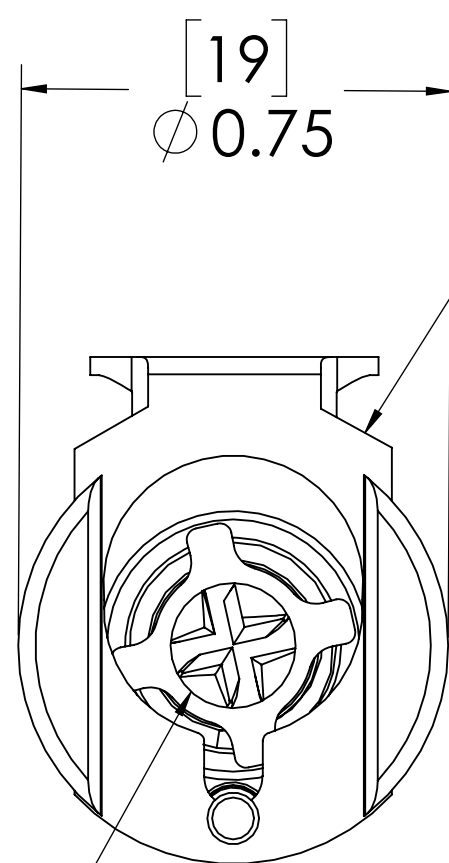
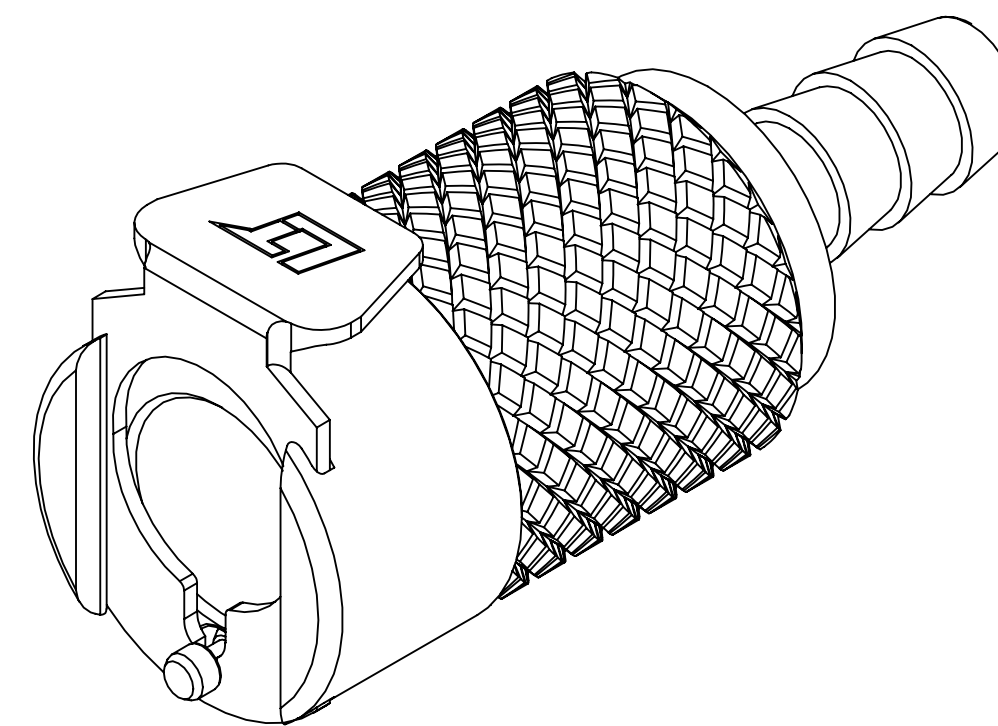
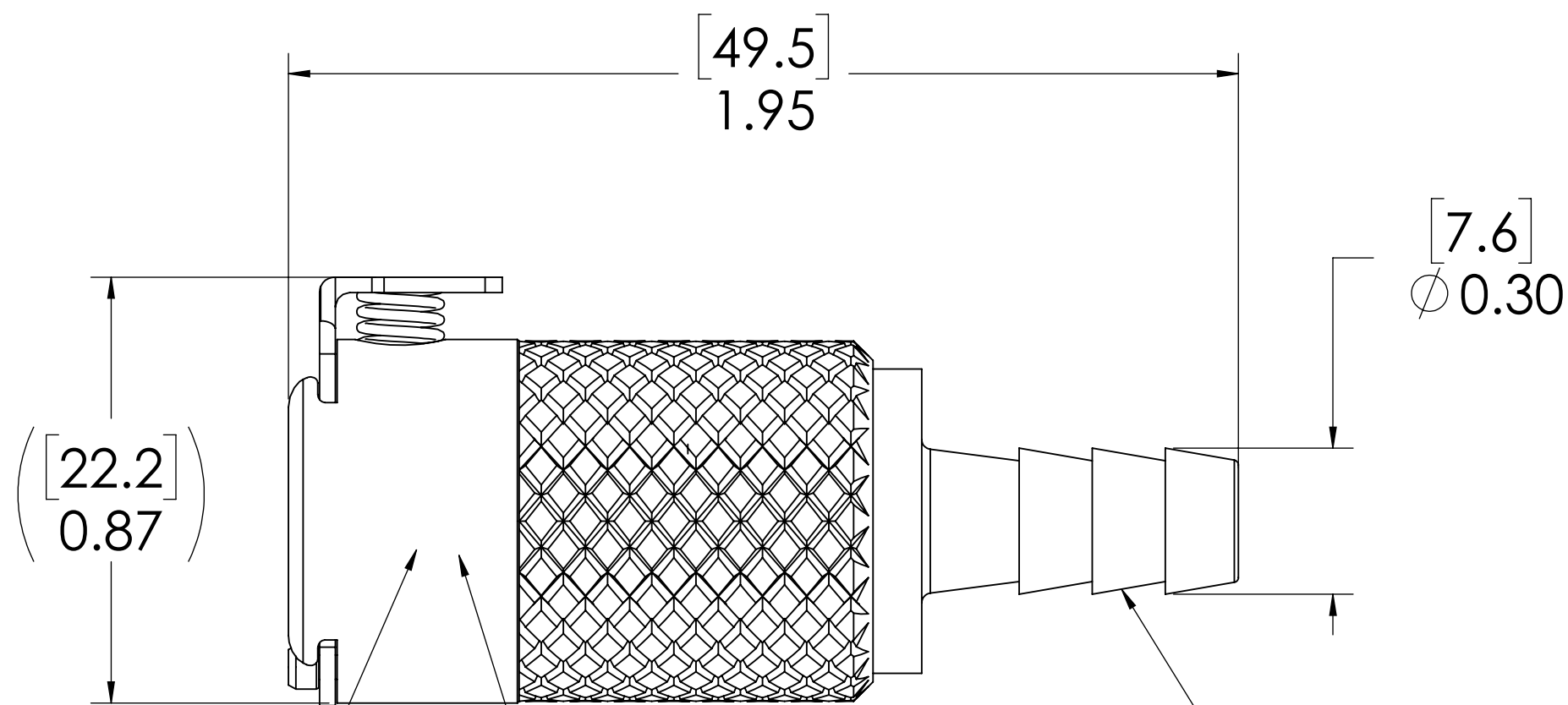


REVISIONS						
SHEET	ZONE	REV.	ECO	DESCRIPTION	DATE	APPROVED
1	ALL	A	50243	PIN, PN SPRING & FORMAT UPDATE	2/6/2018	HRC



**LATCH HARDWARE  
(STAINLESS STEEL)**

**VALVE,  
INTERNAL  
(ACETAL)**



**1/4" TUBE ID**

**O-RING,  
INTERNAL  
(BUNA-N)**

**SPRING,  
INTERNAL  
(STAINLESS STEEL)**

**NOTES:**

- MATERIAL: BRASS
- COLOR: CHROME
- O-RING MATERIAL: BUNA-N
- O-RINGS LUBRICATED WITH FOOD GRADE SILICONE OIL, 350 CST.

**FOR REFERENCE ONLY**

<small>UNLESS OTHERWISE SPECIFIED: DIMENSIONS ARE IN INCHES TOLERANCES: FRACTIONAL ± 1/32 ANGULAR: MACH ± 0.5 BEND ± 2 ONE PLACE DECIMAL ± 0.1 TWO PLACE DECIMAL ± 0.01 THREE PLACE DECIMAL ± 0.005 TWO PLACE DUAL (mm) [±0.12]</small>	DRAWN	RDA	8/18/2017	
	CHECKED	HRC	8/18/2017	
	ENG APPR.	HRC	02-06-18	
	MFG APPR.	BDB	02-06-18	
PRODUCTION	RK	02-06-18		<b>PART NO:</b> 40CBV-SB2-04 <b>DESCRIPTION:</b> LinkTech 40CB Series Straight Female, Valved, 250 HB, Chrome Brass
<small>PROPRIETARY AND CONFIDENTIAL THE INFORMATION CONTAINED IN THIS DRAWING IS THE SOLE PROPERTY OF LINKTECH LLC. ANY REPRODUCTION OR DISCLOSURE IN PART OR AS A WHOLE WITHOUT THE WRITTEN PERMISSION OF LINKTECH LLC IS STRICTLY PROHIBITED.</small>	COMMENTS:			<b>SIZE DWG. NO. REV</b> <b>C 40CB400229 A</b>
SCALE: NTS		WEIGHT:		SHEET 1 OF 1