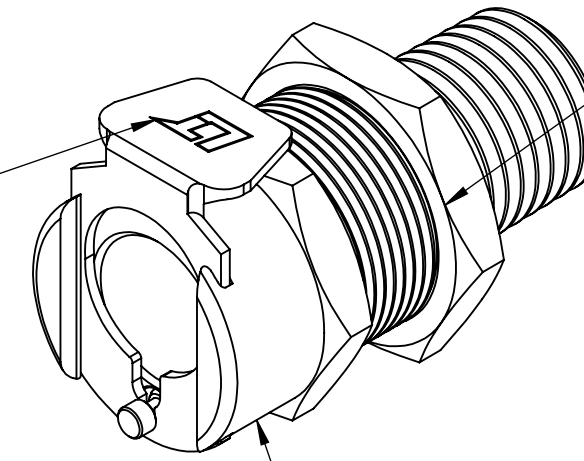


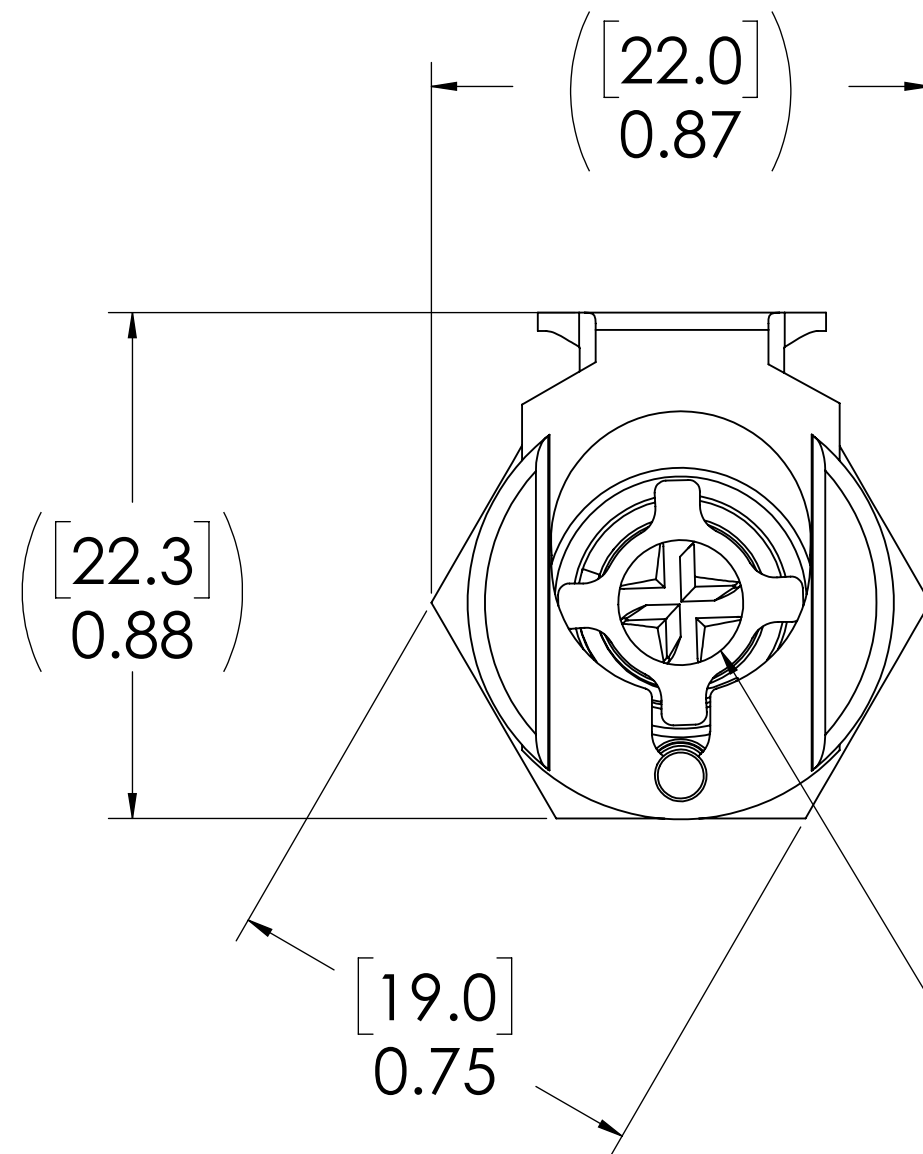
REVISIONS						
SHEET	ZONE	REV.	ECO	DESCRIPTION	DATE	APPROVED
1	ALL	A	50242	PIN, PIN SPRING & 2017 FORMAT UPDATE	6/28/2018	HRC

**LATCH
HARDWARE
(STAINLESS
STEEL)**

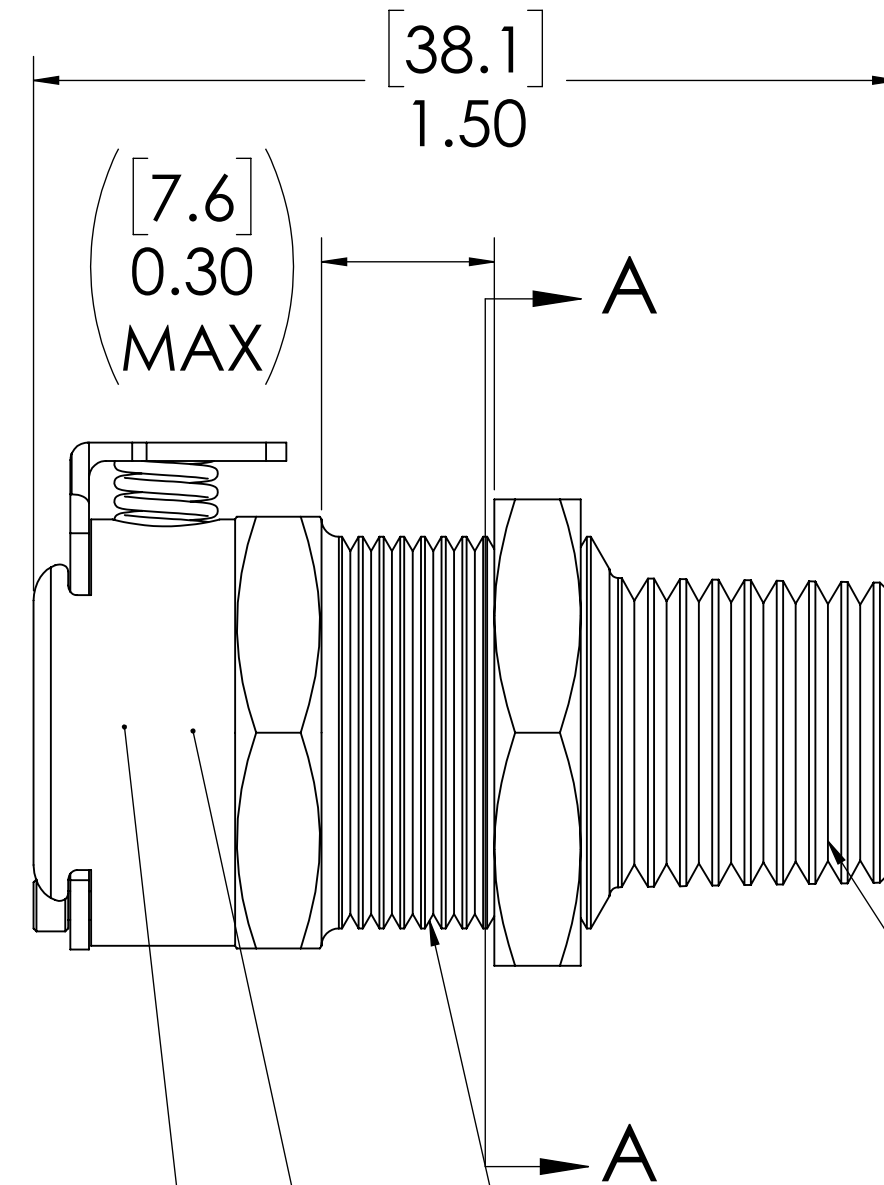


**PANEL NUT,
(BRASS, NICKEL PLATED)
(PACKAGED SEPERATELY)**

**SOCKET, (BRASS, NICKEL
AND CHROME PLATED)**

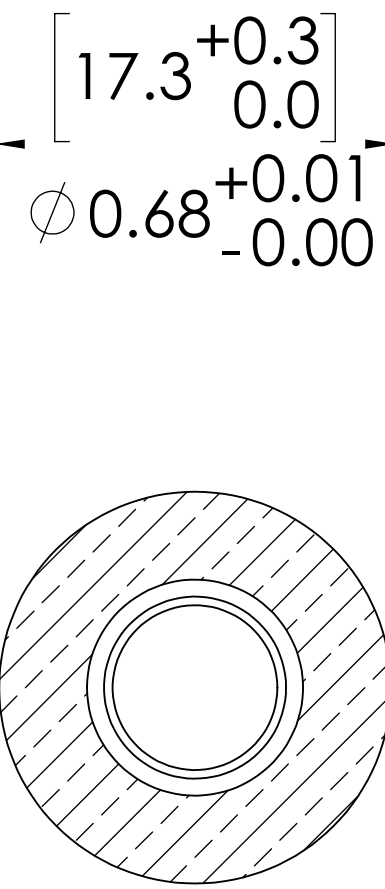


**VALVE
(ACETAL)**



**1/4" NPT
(PIPE THREAD)**

**PANEL OPENING
(SECTION A-A)**



11/16\"/>

**VALVE SPRING
INTERNAL
(STAINLESS
STEEL)**

**VALVE O-RING
INTERNAL
(BUNA-N)**

NOTES:

- MATERIAL: BRASS
- FINISH: CHROME
- O-RING MATERIAL: BUNA-N
- O-RINGS LUBRICATED WITH FOOD GRADE SILICONE OIL, 350 CST.

FOR REFERENCE ONLY

UNLESS OTHERWISE SPECIFIED:	NAME	DATE	
DIMENSIONS ARE IN INCHES TOLERANCES: FRACTIONAL ± 1/32 ANGULAR: MACH ± 0.5 BEND ± 2 ONE PLACE DECIMAL ± 0.1 TWO PLACE DECIMAL ± 0.01 THREE PLACE DECIMAL ± 0.005 TWO PLACE DUAL (mm) [± 0.12]	DRAWN	CBH	
<small>PROPRIETARY AND CONFIDENTIAL</small> <small>THE INFORMATION CONTAINED IN THIS DRAWING IS THE SOLE PROPERTY OF LINKTECH LLC. ANY REPRODUCTION OR DISCLOSURE IN PART OR AS A WHOLE WITHOUT THE WRITTEN PERMISSION OF LINKTECH LLC IS STRICTLY PROHIBITED.</small>	CHECKED	HRC	8/10/17
	ENG APPR.	HRC	6/28/18
	MFG APPR.	BDB	6/28/18
	PRODUCTION	LS	6/28/18
COMMENTS:			PART NO: 40CBV-SB12-04 DESCRIPTION: LinkTech 40CB Series Male Thread Female, Valved, 1/4" MNPT, Chrome Brass SIZE DWG. NO. REV C 40CB400048 A
SCALE: NTS		WEIGHT:	SHEET 1 OF 1