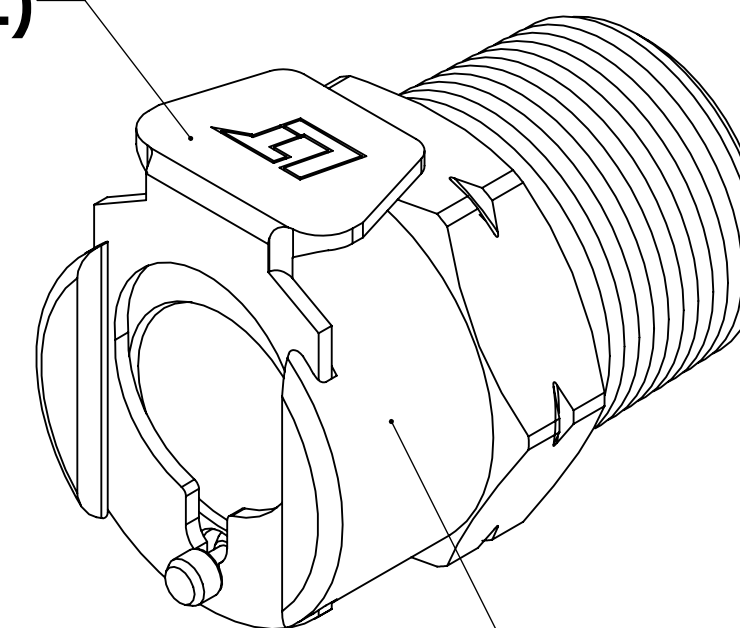
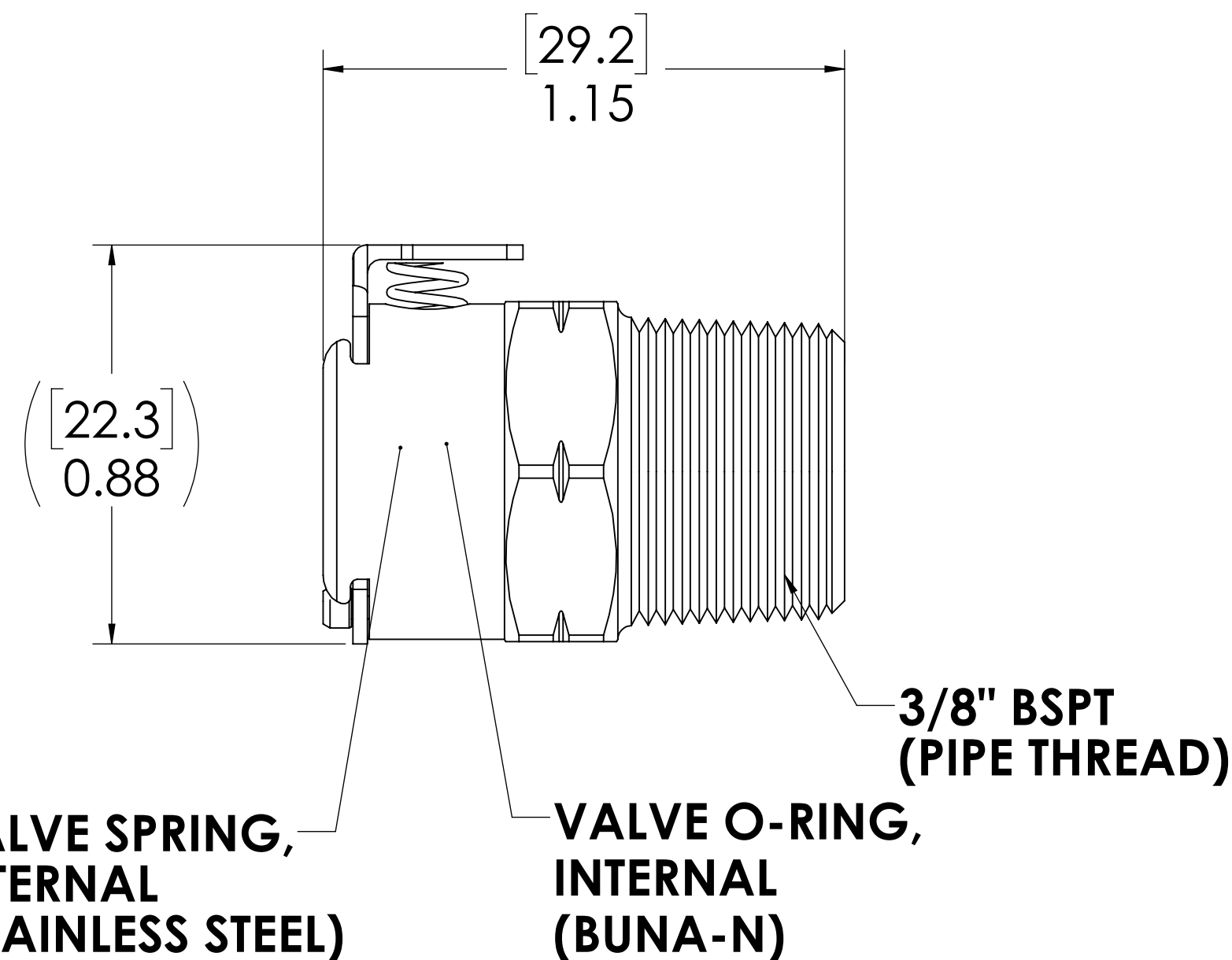
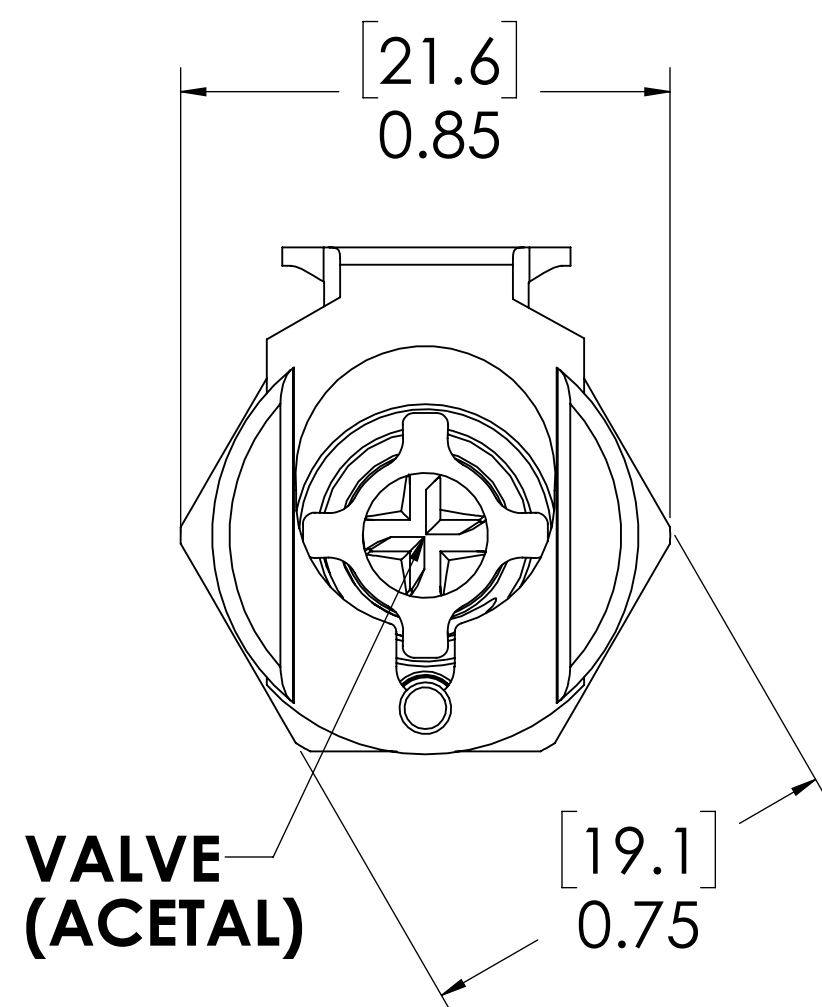


REVISIONS						
SHEET	ZONE	REV.	ECO	DESCRIPTION	DATE	APPROVED
1	ALL	A	50242	UPDATE DWG TO CURRENT FORMAT & STANDARDS	10/18/2018	HRC

**LATCH HARDWARE
(STAINLESS STEEL)**




**SOCKET
(BRASS, NICKEL &
CHROME PLATED)**



NOTES:

- MATERIAL: BRASS
- FINISH: CHROME
- O-RING MATERIAL: BUNA-N
- O-RINGS LUBRICATED WITH FOOD GRADE SILICONE OIL, 350 CST.

FOR REFERENCE ONLY

<small>UNLESS OTHERWISE SPECIFIED: DIMENSIONS ARE IN INCHES TOLERANCES: FRACTIONAL ± 1/32 ANGULAR: MACH ± 0.5 BEND ± 2 ONE PLACE DECIMAL ± 0.1 TWO PLACE DECIMAL ± 0.01 THREE PLACE DECIMAL ± 0.005 TWO PLACE DUAL (mm) [± 0.12]</small>	DRAWN	LMP	3/12/2018	 PART NO: 40CBV-SB1-06BSPT DESCRIPTION: LinkTech 40CB Series Male Thread Female, Valved, 3/8" BSPT, Chrome Brass						
	CHECKED	HRC	3/12/2018							
	ENG APPR.	HRC	10/18/18							
	MFG APPR.	BDB	10/18/18							
PRODUCTION	LS	10/18/18	COMMENTS:	<table border="1"> <tr> <td>SIZE</td> <td>DWG. NO.</td> <td>REV</td> </tr> <tr> <td>C</td> <td>40CB400256</td> <td>A</td> </tr> </table>	SIZE	DWG. NO.	REV	C	40CB400256	A
SIZE	DWG. NO.	REV								
C	40CB400256	A								
<small>THE INFORMATION CONTAINED IN THIS DRAWING IS THE SOLE PROPERTY OF LINKTECH LLC. ANY REPRODUCTION OR DISCLOSURE IN PART OR AS A WHOLE WITHOUT THE WRITTEN PERMISSION OF LINKTECH LLC IS STRICTLY PROHIBITED.</small>			SCALE: NTS	WEIGHT:	SHEET 1 OF 1					