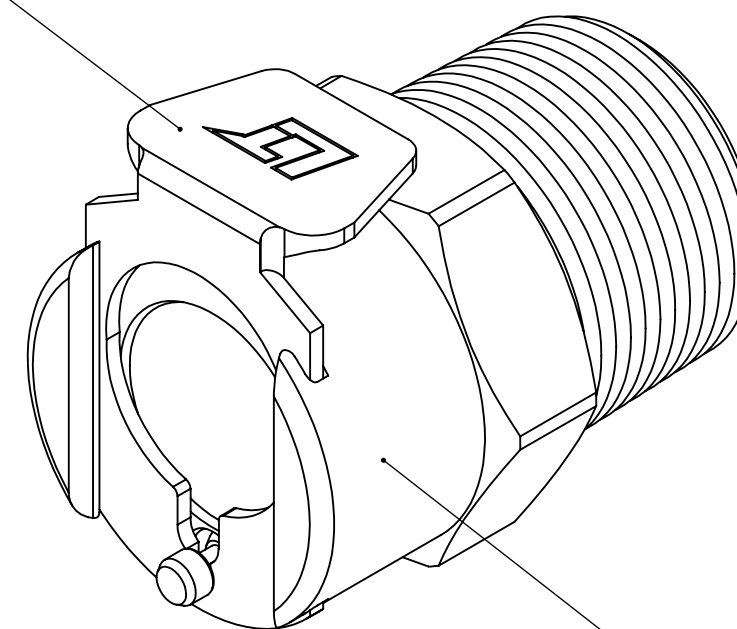
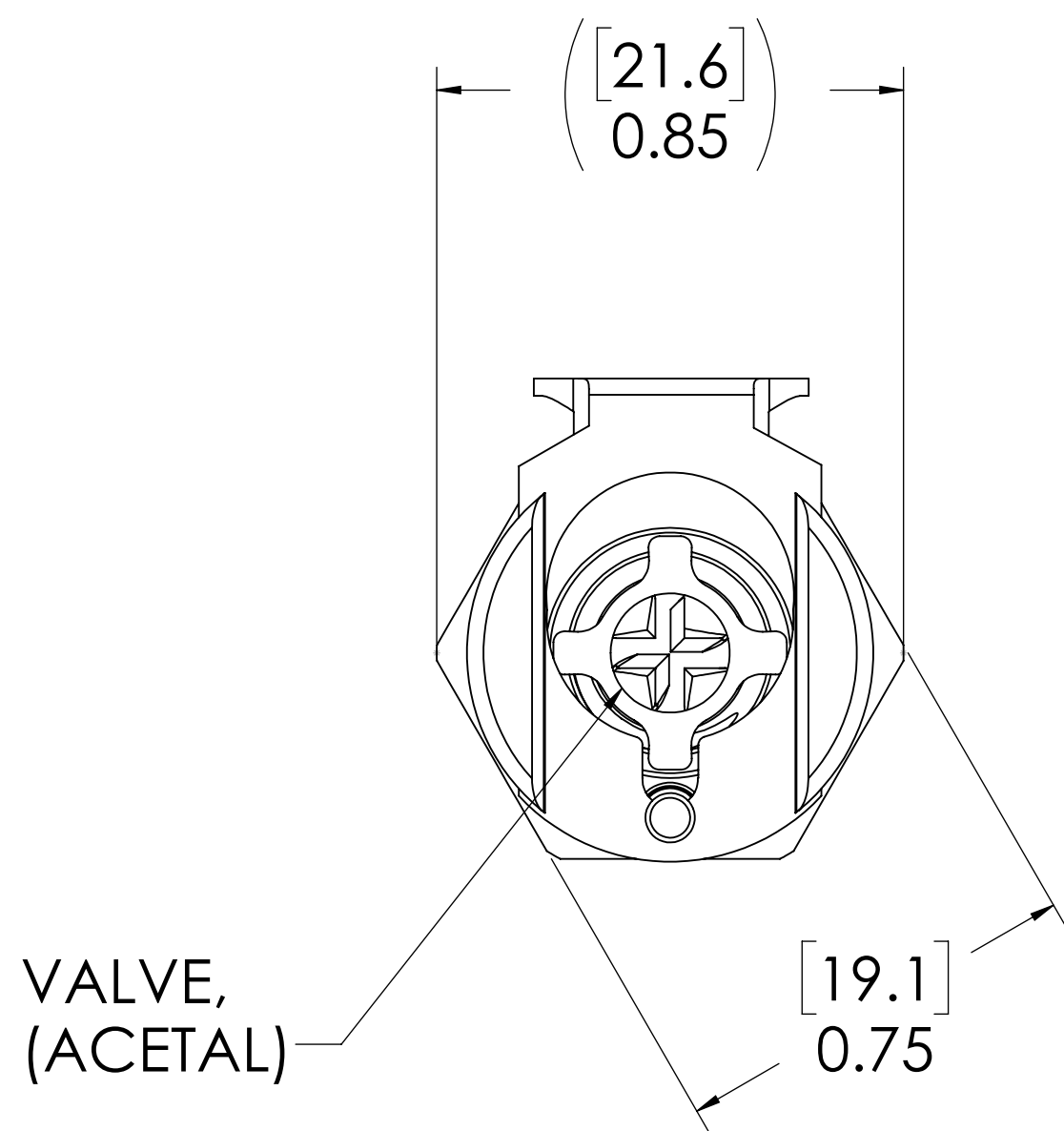


REVISIONS						
SHEET	ZONE	REV.	ECO	DESCRIPTION	DATE	APPROVED
1	ALL	A	50242	PIN, PIN SPRING & FORMAT UPDATE	11/1/2017	HRC

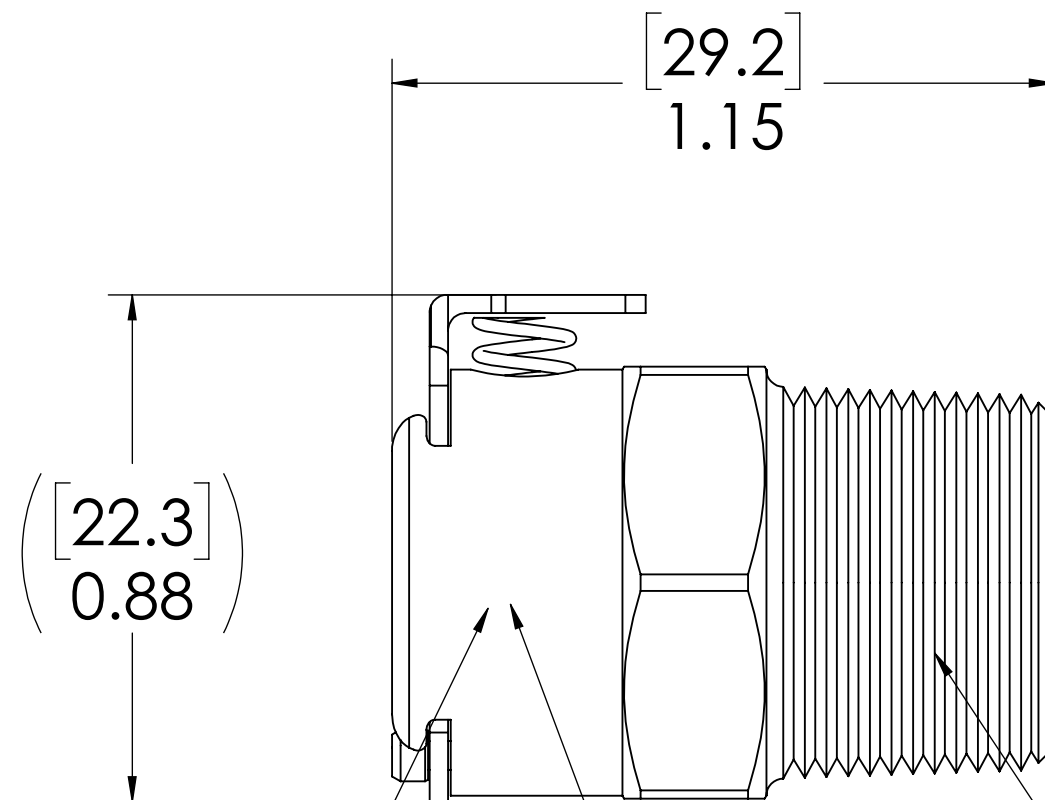
LATCH HARDWARE,
(STAINLESS STEEL)



SOCKET,
(BRASS, CHROME PLATED)



VALVE,
(ACETAL)



VALVE SPRING,
(STAINLESS STEEL)

O-RING,
INTERNAL
(BUNA-N)

1/4"NPT
(PIPE THREAD)

NOTES:

1. MATERIAL: BRASS
2. FINISH: CHROME
3. O-RING MATERIAL: BUNA-N
4. O-RINGS LUBRICATED WITH FOOD GRADE SILICONE OIL, 350 CST.

FOR REFERENCE ONLY

UNLESS OTHERWISE SPECIFIED:		NAME	DATE	
DIMENSIONS ARE IN INCHES TOLERANCES: FRACTIONAL ± 1/32 ANGULAR: MACH: ± 0.5 BEND ± 2 ONE PLACE DECIMAL ± 0.1 TWO PLACE DECIMAL ± 0.01 THREE PLACE DECIMAL ± 0.005 TWO PLACE DUAL (mm) [± 0.12]		DRAWN	RDA 8/18/2017	
PROPRIETARY AND CONFIDENTIAL		CHECKED	HRC 8/18/2017	
THE INFORMATION CONTAINED IN THIS DRAWING IS THE SOLE PROPERTY OF LINKTECH LLC. ANY REPRODUCTION OR DISCLOSURE IN PART OR AS A WHOLE WITHOUT THE WRITTEN PERMISSION OF LINKTECH LLC IS STRICTLY PROHIBITED.		ENG APPR.	HRC 11-01-17	
		MFG APPR.	BDB 11-01-17	
		PURCHASING	RK 11-01-17	DESCRIPTION: LinkTech 40CB Series Male Thread, Valved 375 MNPT, Chrome Brass
		COMMENTS:		SIZE DWG. NO. REV C 40CB400227 A
				SCALE: NTS WEIGHT: SHEET 1 OF 1