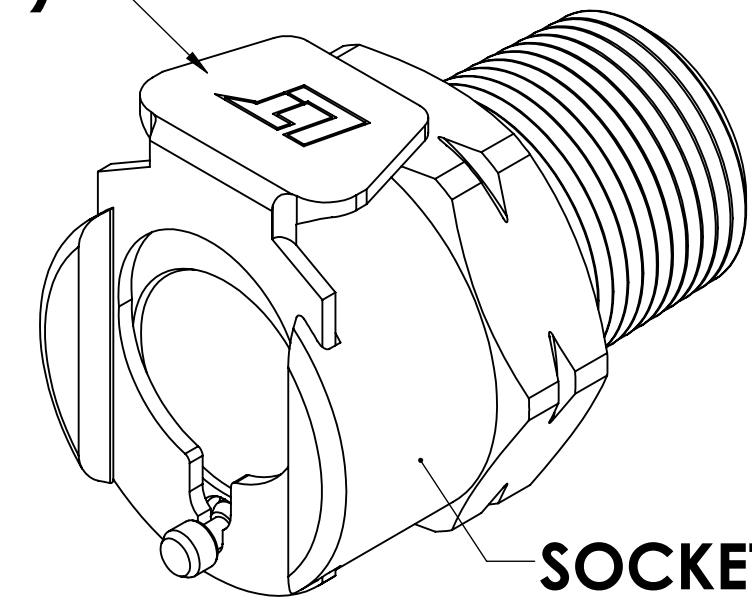
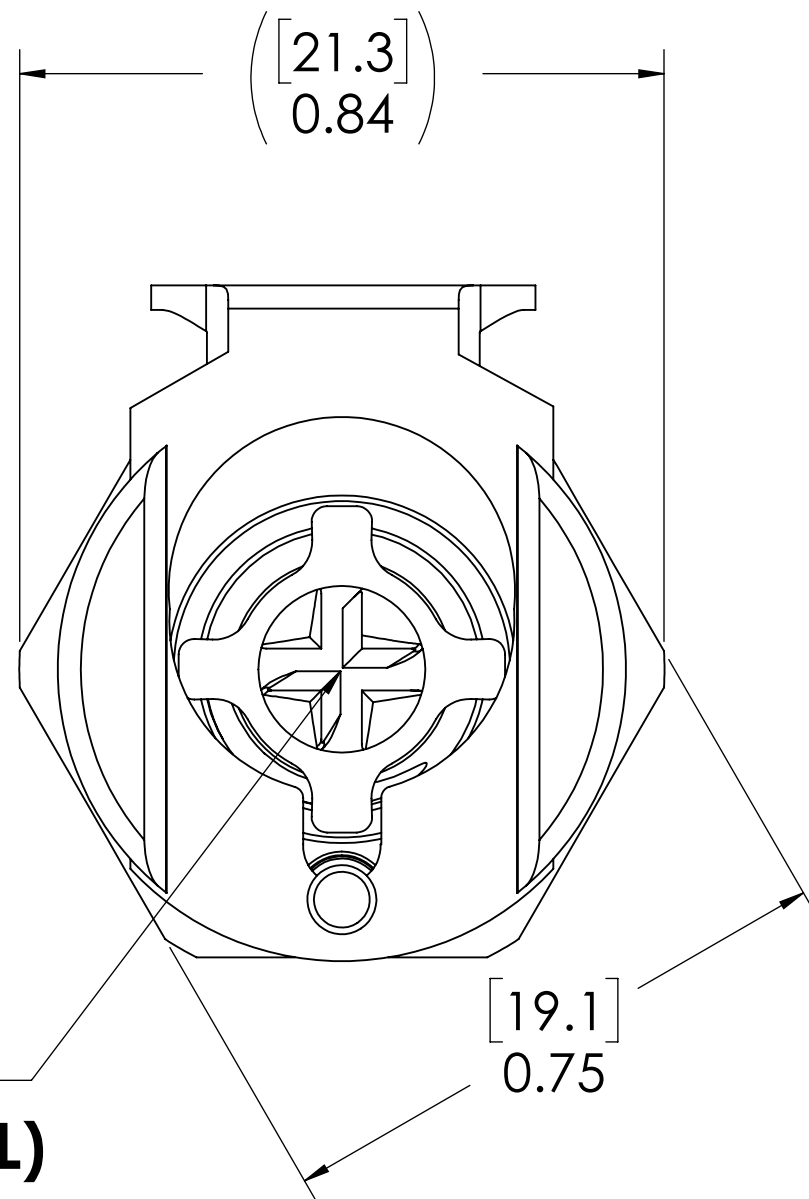


REVISIONS						
SHEET	ZONE	REV.	ECO	DESCRIPTION	DATE	APPROVED
1	ALL	A	50242	PIN, PIN SPRING & DWG FORMAT UPDATE	10/18/2018	HRC

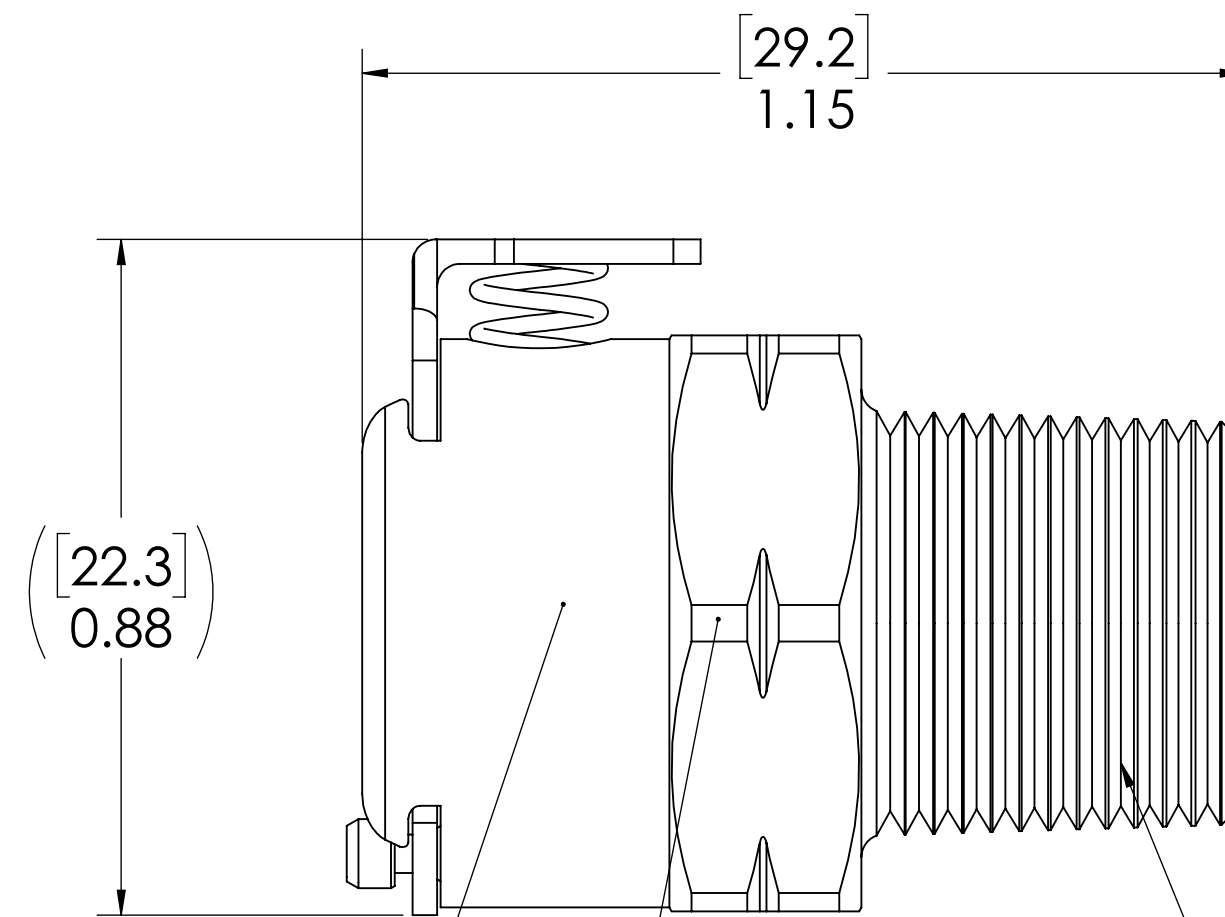
**LATCH HARDWARE
(STAINLESS STEEL)**



**SOCKET
(BRASS, NICKEL &
CHROME PLATED)**



**VALVE
(ACETAL)**



**VALVE SPRING
INTERNAL
(STAINLESS STEEL)**

1/4" BSPT (PIPE THREAD)

**VALVE O-RING
INTERNAL
(BUNA-N)**

NOTES:

- MATERIAL: BRASS
- FINISH: CHROME
- O-RING MATERIAL: BUNA-N
- O-RINGS LUBRICATED WITH FOOD GRADE SILICONE OIL, 350 CST.

FOR REFERENCE ONLY

<small>UNLESS OTHERWISE SPECIFIED: DIMENSIONS ARE IN INCHES TOLERANCES: FRACTIONAL ± 1/32 ANGULAR: MACH ± 0.5 BEND ± 2 ONE PLACE DECIMAL ± 0.1 TWO PLACE DECIMAL ± 0.01 THREE PLACE DECIMAL ± 0.005 TWO PLACE DUAL (mm) [± 0.12]</small>	DRAWN	HRC	3/29/12	
	CHECKED	HRC	03-29-12	
	ENG APPR.	HRC	10/18/18	
	MFG APPR.	BDB	10/18/18	
PRODUCTION	LS	10/18/18		PART NO: 40CBV-SB1-04BSPT DESCRIPTION: LinkTech 40CB Series Male Thread Female, Valved, 1/4" BSPT, Chrome Brass
<small>PROPRIETARY AND CONFIDENTIAL THE INFORMATION CONTAINED IN THIS DRAWING IS THE SOLE PROPERTY OF LINKTECH LLC. ANY REPRODUCTION OR DISCLOSURE IN PART OR AS A WHOLE WITHOUT THE WRITTEN PERMISSION OF LINKTECH LLC IS STRICTLY PROHIBITED.</small>				<small>COMMENTS:</small>
<small>SIZE DWG. NO. REV</small>		<small>C 40CB400113 A</small>		<small>SCALE: NTS WEIGHT: SHEET 1 OF 1</small>