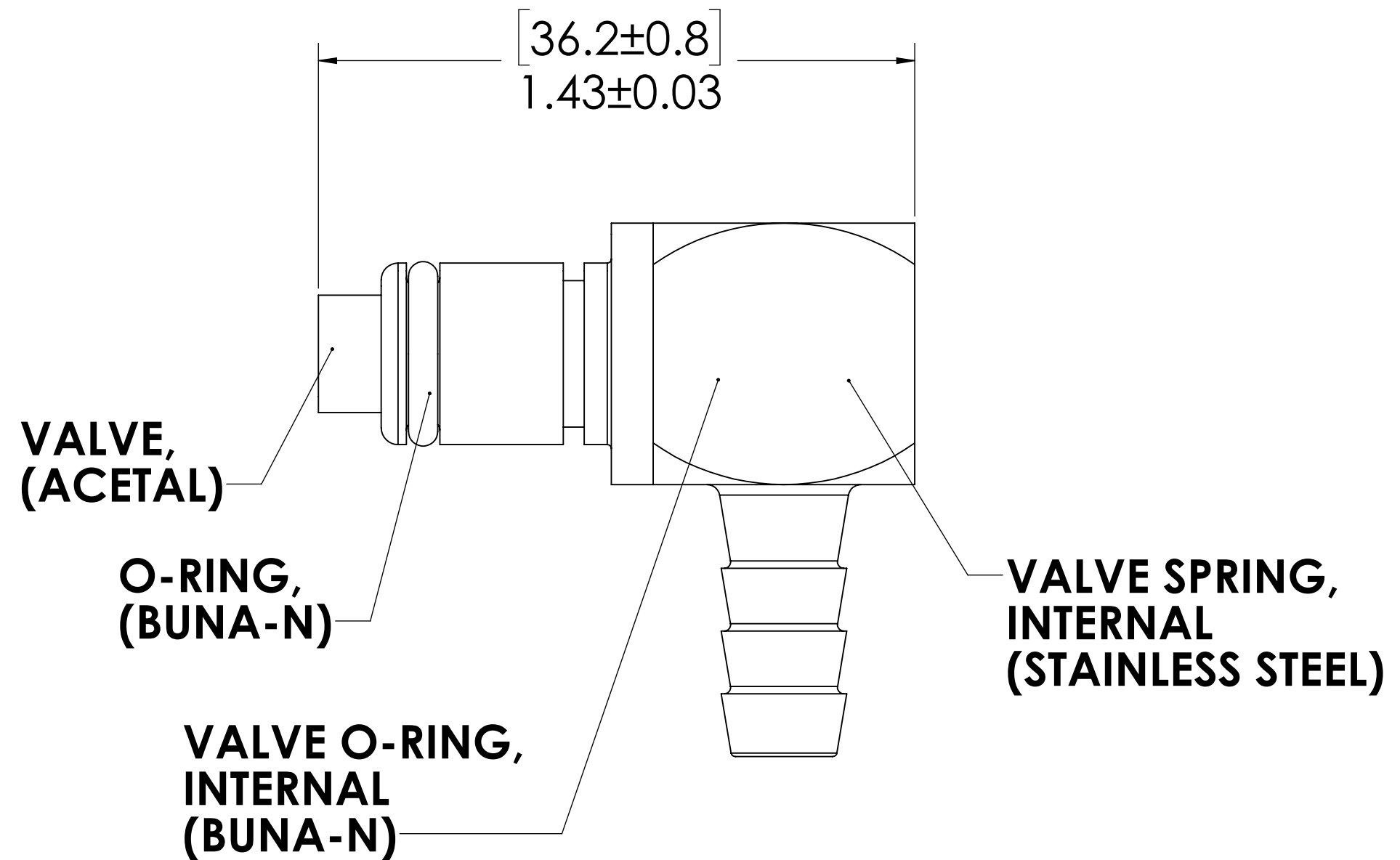
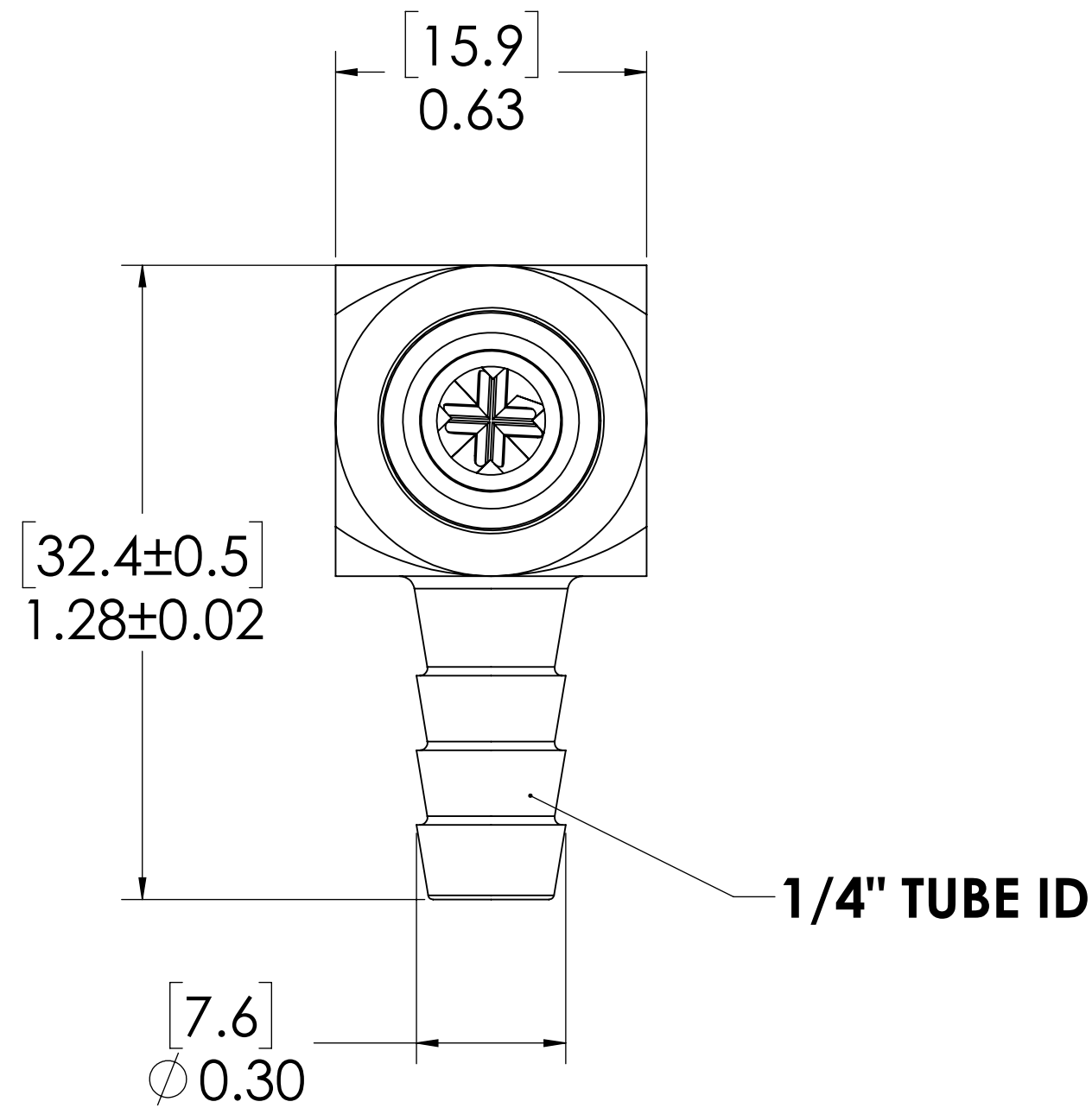
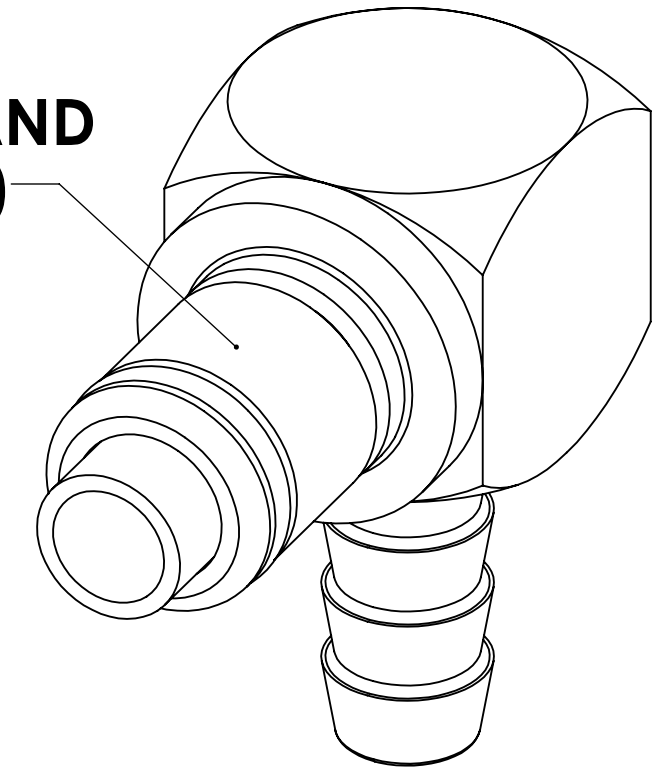


REVISIONS						
SHEET	ZONE	REV.	ECO	DESCRIPTION	DATE	APPROVED
1	ALL	A	50253	UPDATE DWG TO CURRENT FORMAT & STANDARDS	7/9/2018	HRC

**PLUG,
(BRASS, NICKEL AND
CHROME PLATED)**



NOTES:

1. MATERIAL: BRASS
2. FINISH: CHROME
3. O-RING MATERIAL: BUNA-N
4. O-RINGS LUBRICATED WITH FOOD GRADE SILICONE OIL, 350 CST.

FOR REFERENCE ONLY

<small>UNLESS OTHERWISE SPECIFIED: DIMENSIONS ARE IN INCHES TOLERANCES: FRACTIONAL ± 1/32 ANGULAR: MACH ± 0.5 BEND ± 2 ONE PLACE DECIMAL ± 0.1 TWO PLACE DECIMAL ± 0.01 THREE PLACE DECIMAL ± 0.005 TWO PLACE DUAL (mm) [± 0.12]</small>	DRAWN	ER	08-08-17							
	CHECKED	HRC	08-08-17							
	ENG APPR.	HRC	7/9/18							
	MFG APPR.	HRC	7/9/18							
PRODUCTION	LS	7/9/18		PART NO: 40CBV-PB4-04 DESCRIPTION: LinkTech 40CB Series Elbow Male, Valved, 1/4" HB, Chrome Brass						
<small>PROPRIETARY AND CONFIDENTIAL THE INFORMATION CONTAINED IN THIS DRAWING IS THE SOLE PROPERTY OF LINKTECH LLC. ANY REPRODUCTION OR DISCLOSURE IN PART OR AS A WHOLE WITHOUT THE WRITTEN PERMISSION OF LINKTECH LLC IS STRICTLY PROHIBITED.</small>	COMMENTS:			<table border="1"> <tr> <td>SIZE</td> <td>DWG. NO.</td> <td>REV</td> </tr> <tr> <td>C</td> <td>40CB400217</td> <td>A</td> </tr> </table>	SIZE	DWG. NO.	REV	C	40CB400217	A
SIZE	DWG. NO.	REV								
C	40CB400217	A								
SCALE: NTS		WEIGHT:	SHEET 1 OF 1							