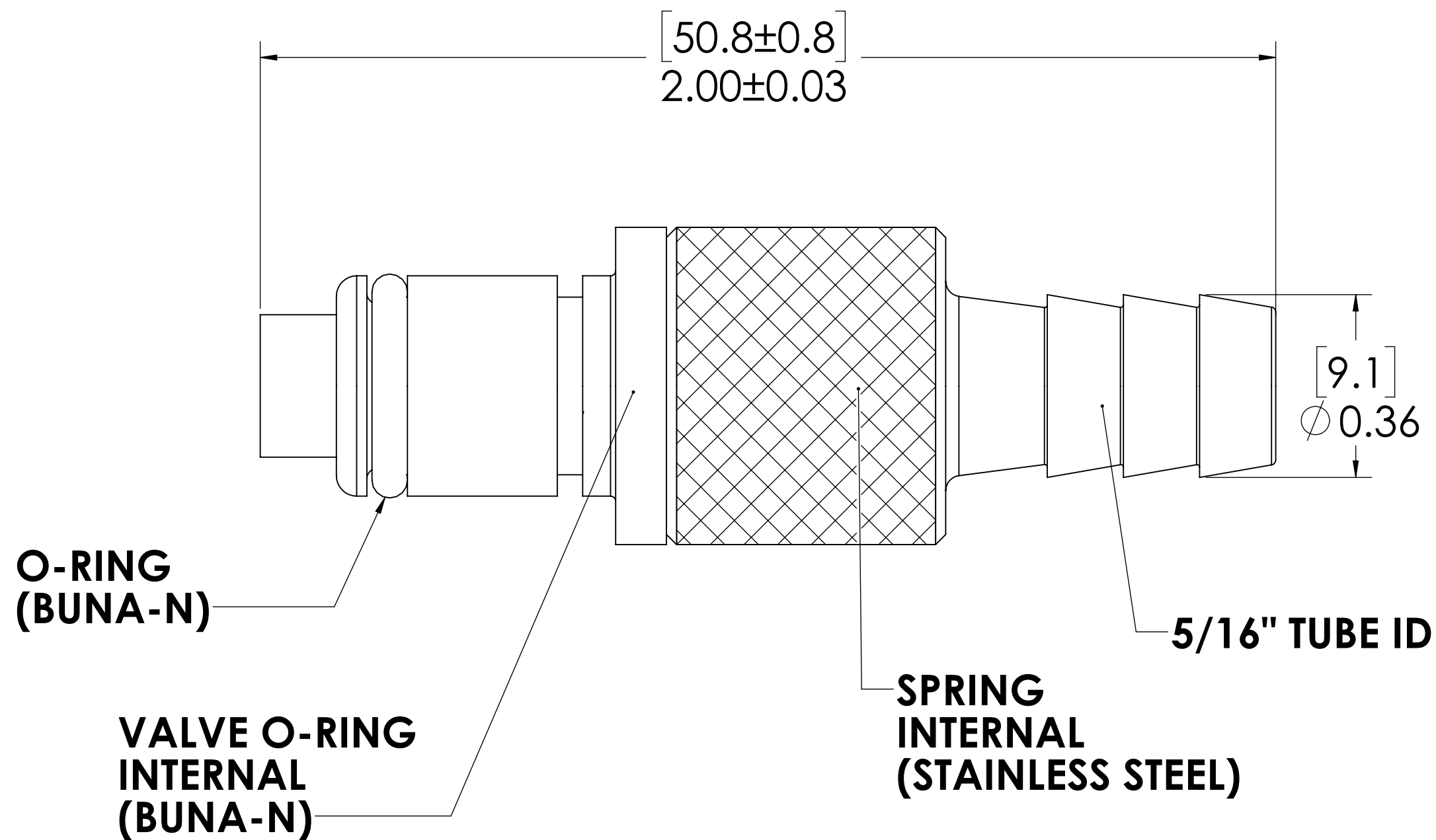
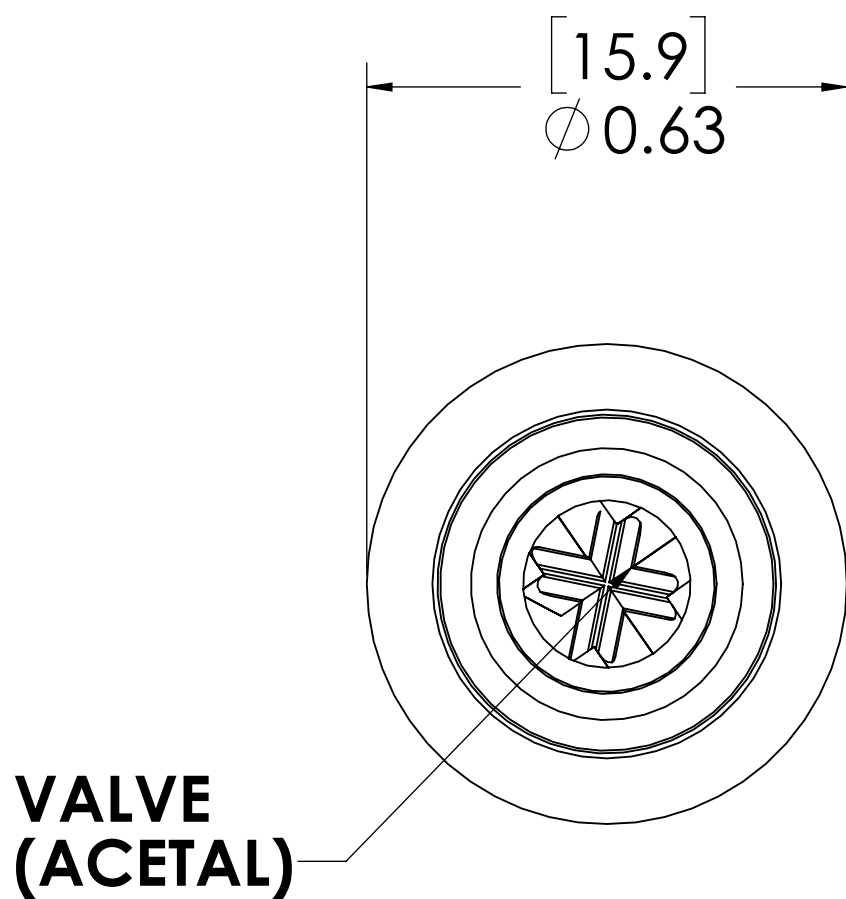
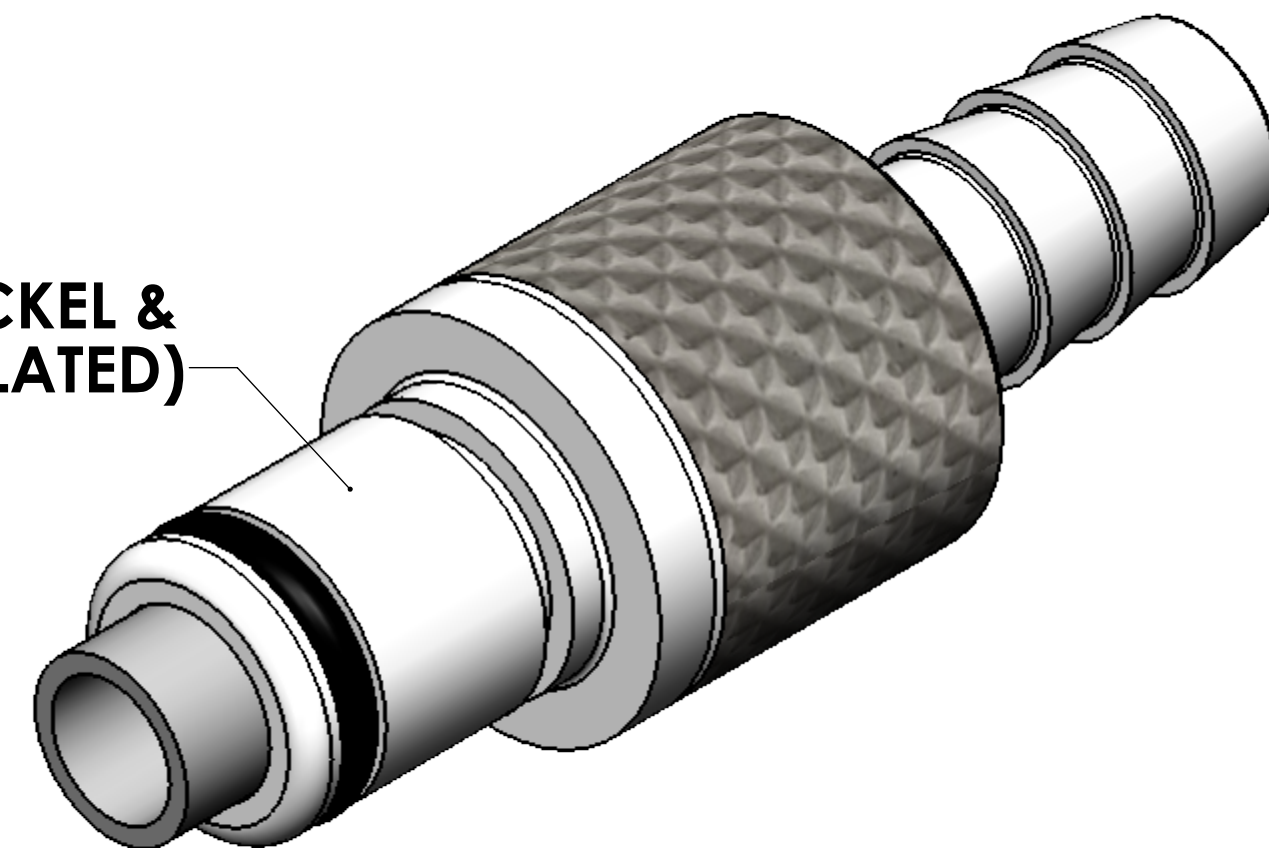


REVISIONS						
SHEET	ZONE	REV.	ECO	DESCRIPTION	DATE	APPROVED
1	ALL	A	50253	UPDATE DWG TO CURRENT FORMAT & STANDARDS	10/18/2018	HRC

**PLUG  
(BRASS, NICKEL &  
CHROME PLATED)**



**NOTES:**

1. MATERIAL: BRASS
2. FINISH: CHROME
3. O-RING MATERIAL: BUNA-N
4. O-RINGS LUBRICATED WITH FOOD GRADE SILICONE OIL, 350 CST.

**FOR REFERENCE ONLY**

<small>UNLESS OTHERWISE SPECIFIED: DIMENSIONS ARE IN INCHES TOLERANCES: FRACTIONAL <math>\pm 1/32</math> ANGULAR: MACH <math>\pm 0.5</math> BEND <math>\pm 2</math> ONE PLACE DECIMAL <math>\pm 0.1</math> TWO PLACE DECIMAL <math>\pm 0.01</math> THREE PLACE DECIMAL <math>\pm 0.005</math> TWO PLACE DUAL (mm) <math>\pm 0.12</math></small>	DRAWN	LDM	1/22/2018							
	CHECKED	HRC	1/22/2018							
	ENG APPR.	HRC	10/18/18							
	MFG APPR.	BDB	10/18/18							
PRODUCTION	LS	10/18/18		<b>PART NO: 40CBV-PB2-05</b> <b>DESCRIPTION: LinkTech 40CB Series Straight Male, Valved, 5/16" HB, Chrome Brass</b>						
<small>PROPRIETARY AND CONFIDENTIAL THE INFORMATION CONTAINED IN THIS DRAWING IS THE SOLE PROPERTY OF LINKTECH LLC. ANY REPRODUCTION OR DISCLOSURE IN PART OR AS A WHOLE WITHOUT THE WRITTEN PERMISSION OF LINKTECH LLC IS STRICTLY PROHIBITED.</small>	COMMENTS:			<table border="1"> <tr> <td>SIZE</td> <td>DWG. NO.</td> <td>REV</td> </tr> <tr> <td><b>C</b></td> <td><b>40CB400250</b></td> <td><b>A</b></td> </tr> </table>	SIZE	DWG. NO.	REV	<b>C</b>	<b>40CB400250</b>	<b>A</b>
SIZE	DWG. NO.	REV								
<b>C</b>	<b>40CB400250</b>	<b>A</b>								
SCALE: NTS		WEIGHT:	SHEET 1 OF 1							