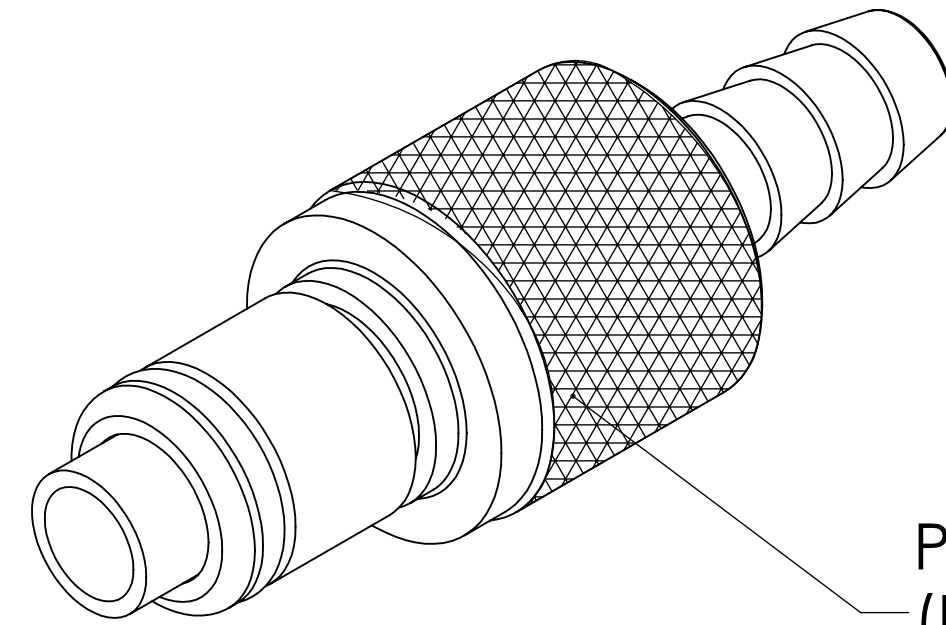
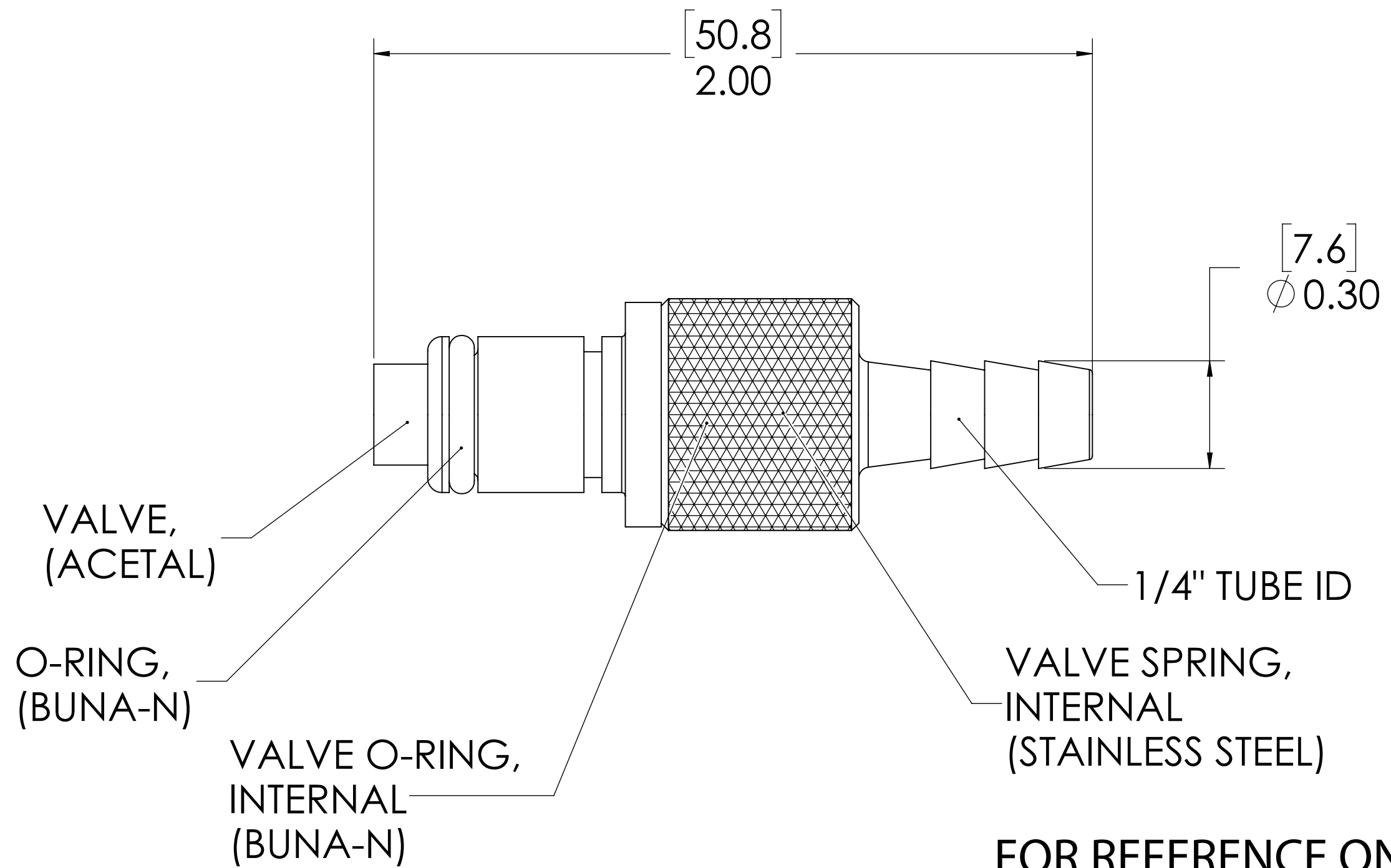
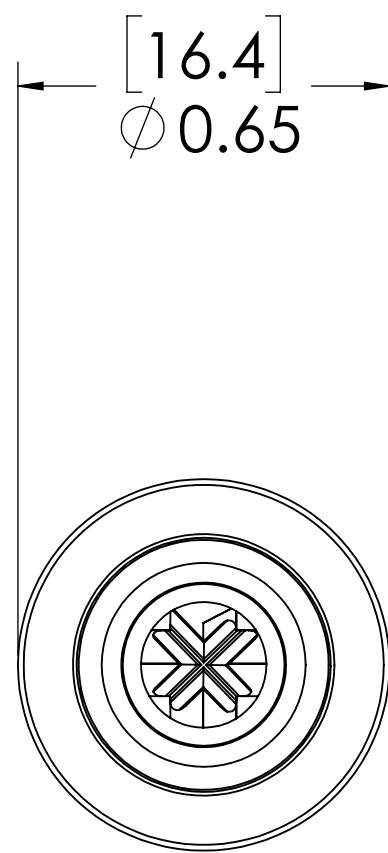


REVISIONS						
SHEET	ZONE	REV.	ECO	DESCRIPTION	DATE	APPROVED
ALL	ALL	A	50253	DRAFTING UPDATE	8/18/17	HRC



PLUG,  
(BRASS, NICKEL AND  
CHROME PLATED)



**NOTES:**

- MATERIAL: BRASS
- COLOR: CHROME
- O-RING MATERIAL: BUNA-N.
- O-RINGS LUBRICATED WITH FOOD GRADE SILICONE OIL, 350 CST.

**FOR REFERENCE ONLY**

<small>UNLESS OTHERWISE SPECIFIED: DIMENSIONS ARE IN INCHES TOLERANCES: FRACTIONAL ± 1/32 ANGULAR: MACH ± 0.5 BEND ± 2 ONE PLACE DECIMAL ± 0.1 TWO PLACE DECIMAL ± 0.01 THREE PLACE DECIMAL ± 0.005 TWO PLACE DUAL (mm) [± 0.12]</small>	DRAWN	CKE	8/11/17	
	CHECKED	XXX	XX/XX/XX	
	ENG APPR.	HRC	8/18/17	
	MFG APPR.	BDB	8/18/17	
<small>PROPRIETARY AND CONFIDENTIAL THE INFORMATION CONTAINED IN THIS DRAWING IS THE SOLE PROPERTY OF LINKTECH LLC. ANY REPRODUCTION OR DISCLOSURE IN PART OR AS A WHOLE WITHOUT THE WRITTEN PERMISSION OF LINKTECH LLC IS STRICTLY PROHIBITED.</small>	Q.A.	JJB	8/18/17	<b>PART NO: 40CBV-PB2-04</b>  <b>DESCRIPTION:</b> 1/4" HB VALVED INLINE CB PLUG 40 SERIES
<small>COMMENTS:</small>				SIZE DWG. NO. REV <b>C 40CB400224 A</b>
<small>SCALE: NTS WEIGHT: SHEET 1 OF 1</small>				