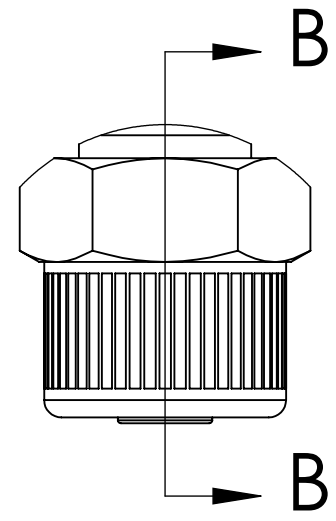
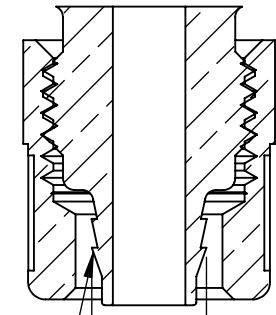


REVISIONS						
SHEET	ZONE	REV.	ECO	DESCRIPTION	DATE	APPROVED
1	ALL	A	50253	UPDATE DWG TO CURRENT FORMAT & STANADARDS	10/18/2018	HRC

DETAIL A



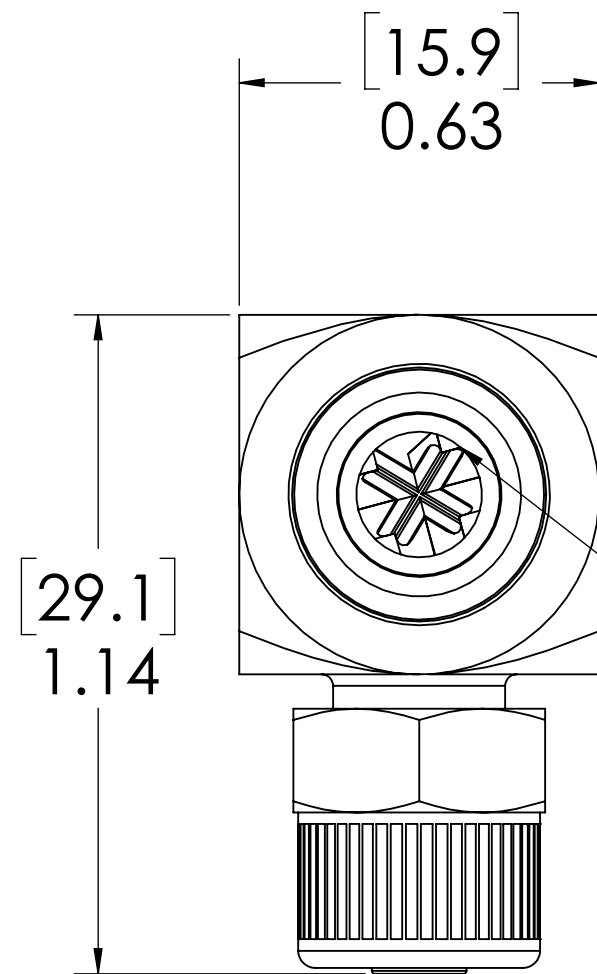
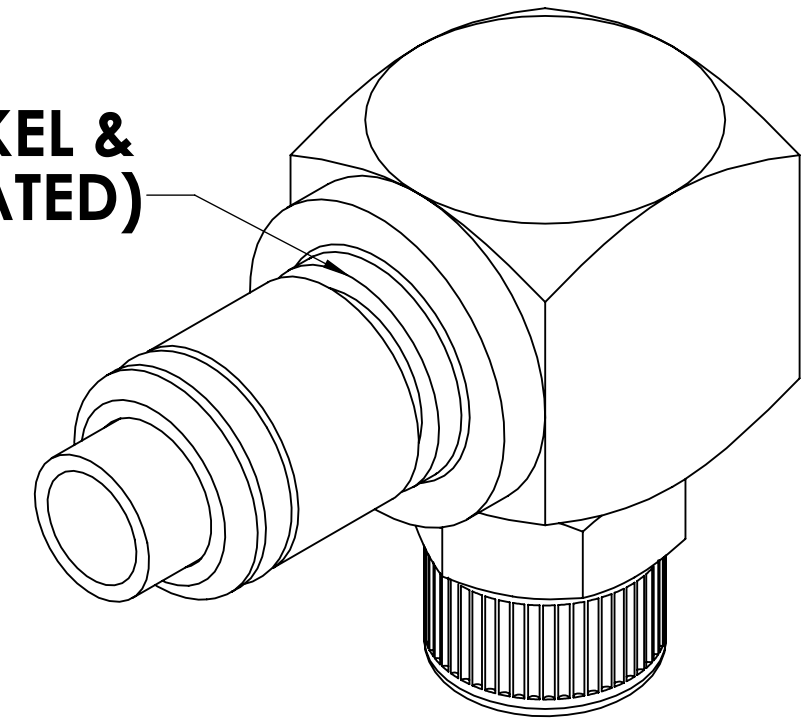
SECTION B-B



1/4" TUBE OD

[5.1]
Ø 0.20

**PLUG
(BRASS, NICKEL &
CHROME PLATED)**

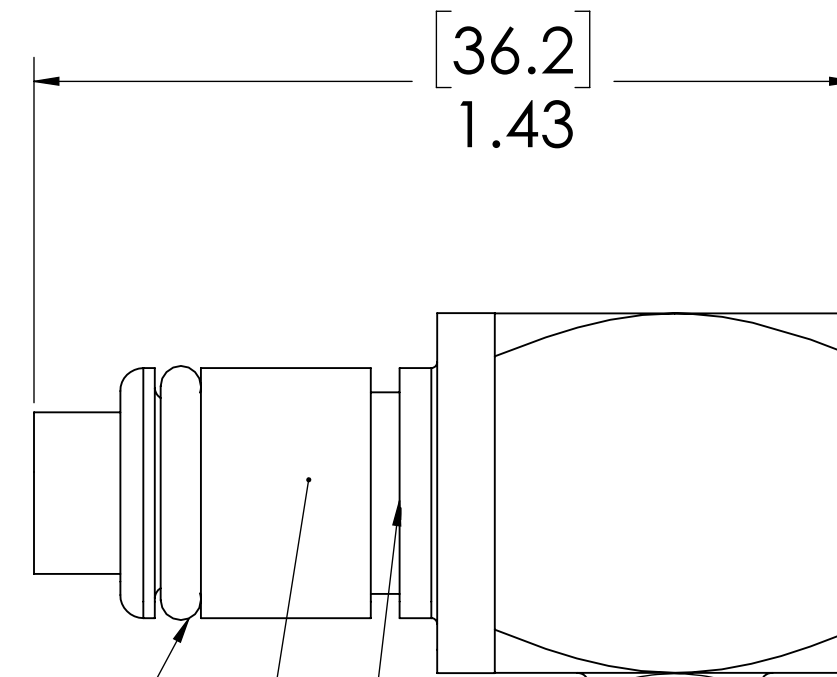


**VALVE
(INTERNAL)
(ACETAL)**

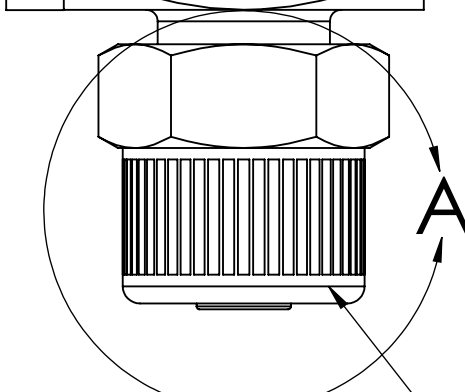
**O-RING
(BUNA-N)**

**VALVE O-RING
(INTERNAL)
(BUNA-N)**

**SPRING
(INTERNAL)
(STAINLESS STEEL)**



**PTF NUT
(BRASS, NICKEL PLATED)
(PACKAGED SEPARATELY)**



NOTES:

- MATERIAL: BRASS
- FINISH: CHROME
- O-RING MATERIAL: BUNA-N
- O-RINGS LUBRICATED WITH FOOD GRADE SILICONE OIL, 350 CST.

FOR REFERENCE ONLY

UNLESS OTHERWISE SPECIFIED:		NAME	DATE	
DIMENSIONS ARE IN INCHES		DRAWN	LDM	
TOLERANCES:		CHECKED	HRC	1/18/2018
FRACTIONAL ± 1/32		ENG APPR.	HRC	10/18/18
ANGULAR: MACH ± 0.5 BEND ± 2		MFG APPR.	BDB	10/18/18
ONE PLACE DECIMAL ± 0.1		PRODUCTION	LS	10/18/18
TWO PLACE DECIMAL ± 0.01		COMMENTS:		
THREE PLACE DECIMAL ± 0.005				
TWO PLACE DUAL (mm) [± 0.12]				
PROPRIETARY AND CONFIDENTIAL				
THE INFORMATION CONTAINED IN THIS DRAWING IS THE SOLE PROPERTY OF LINKTECH LLC. ANY REPRODUCTION OR DISCLOSURE IN PART OR AS A WHOLE WITHOUT THE WRITTEN PERMISSION OF LINKTECH LLC IS STRICTLY PROHIBITED.				

PART NO:	40CBV-PB10-04
DESCRIPTION:	LinkTech 40CB Series Elbow Male, Valved, 1/4" PTF, Chrome Brass
SIZE	DWG. NO.
C	40CB400044
REV	A
SCALE: NTS	WEIGHT:
	SHEET 1 OF 1