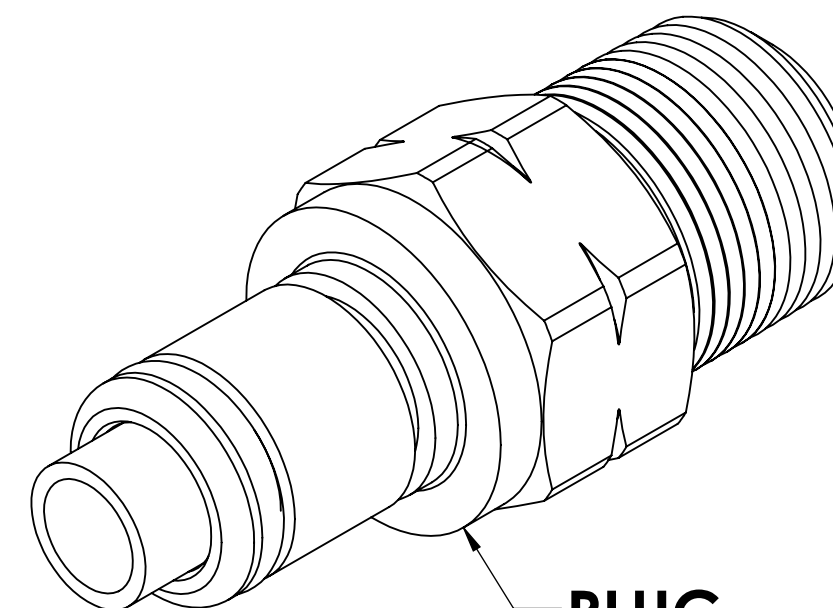
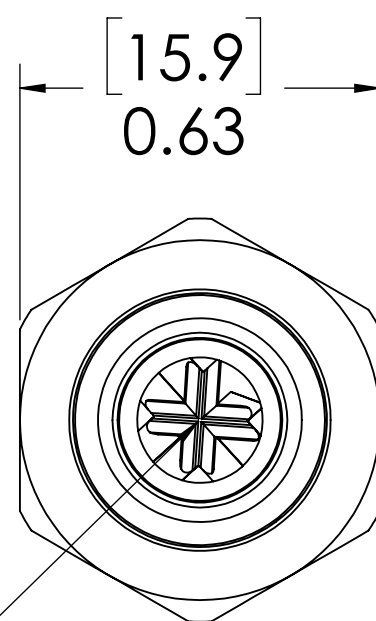


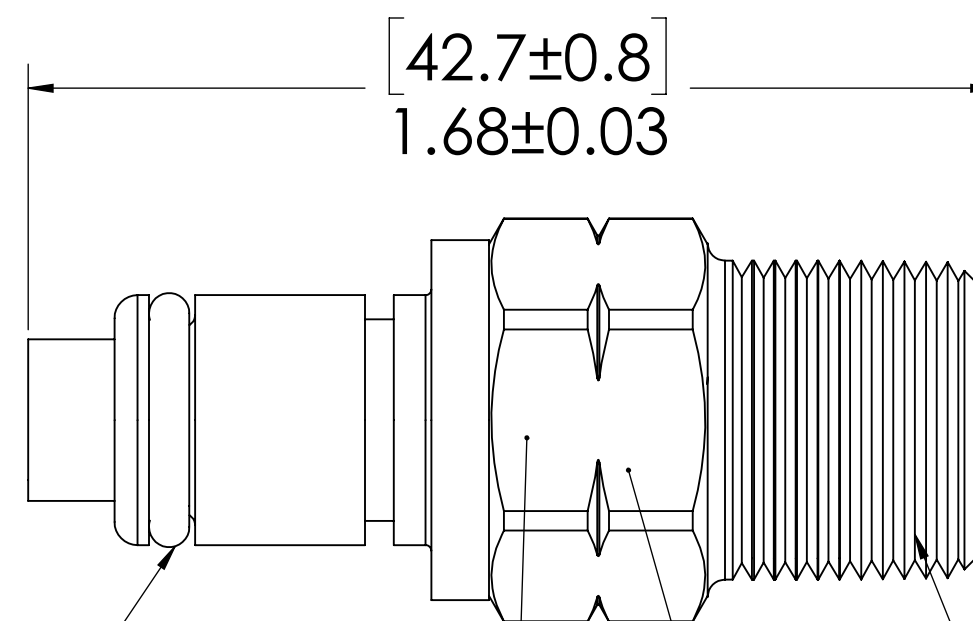
REVISIONS						
SHEET	ZONE	REV.	ECO	DESCRIPTION	DATE	APPROVED
1	ALL	A	50253	UPDATE DWG TO CURRENT FORMAT & STANDARDS	7/9/2018	HRC



**PLUG,
(BRASS,
NICKEL & CHROME PLATED)**



**VALVE,
(ACETAL)**



**O-RING,
(BUNA-N)**

**VALVE O-RING,
INTERNAL
(BUNA-N)**

1/4" BSPT THREAD

**VALVE SPRING,
INTERNAL
(STAINLESS STEEL)**

NOTES:

1. MATERIAL: BRASS
2. FINISH: CHROME
3. O-RING MATERIAL: BUNA-N
4. O-RINGS LUBRICATED WITH FOOD GRADE SILICONE OIL, 350 CST.

FOR REFERENCE ONLY

<small>UNLESS OTHERWISE SPECIFIED: DIMENSIONS ARE IN INCHES TOLERANCES: FRACTIONAL ± 1/32 ANGULAR: MACH ± 0.5 BEND ± 2 ONE PLACE DECIMAL ± 0.1 TWO PLACE DECIMAL ± 0.01 THREE PLACE DECIMAL ± 0.005 TWO PLACE DUAL (mm) [± 0.12]</small>	DRAWN	ER	08-02-17	
	CHECKED	HRC	08-02-17	
	ENG APPR.	HRC	7/9/18	
	MFG APPR.	BDB	7/9/18	
PRODUCTION	LS	7/9/18		
<small>PROPRIETARY AND CONFIDENTIAL THE INFORMATION CONTAINED IN THIS DRAWING IS THE SOLE PROPERTY OF LINKTECH LLC. ANY REPRODUCTION OR DISCLOSURE IN PART OR AS A WHOLE WITHOUT THE WRITTEN PERMISSION OF LINKTECH LLC IS STRICTLY PROHIBITED.</small>				
PART NO:				
DESCRIPTION:		40CBV-PB1-04BSPT LinkTech 40CB Series Male Thread Male, Valved, 1/4" BSPT, Chrome Brass		
SIZE	DWG. NO.	REV		
C	40CB400219	A		
SCALE: NTS	WEIGHT:	SHEET 1 OF 1		