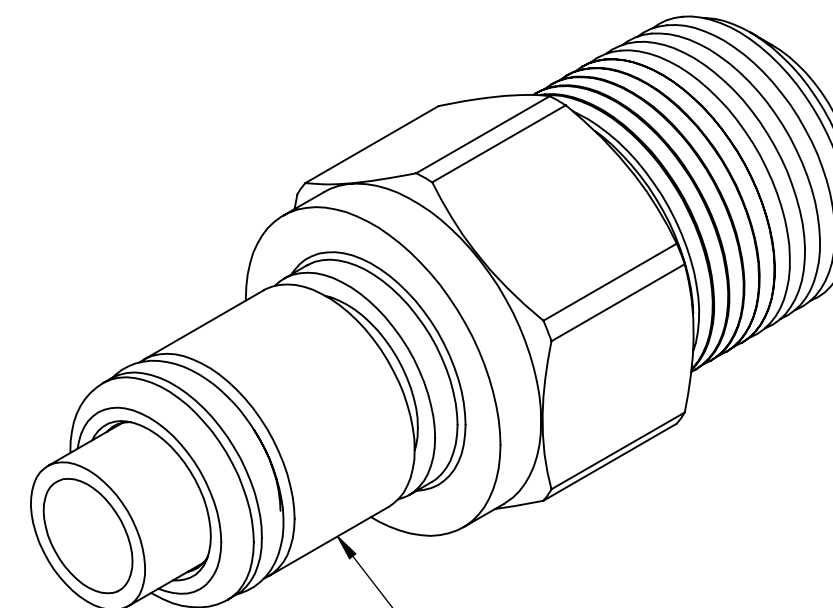
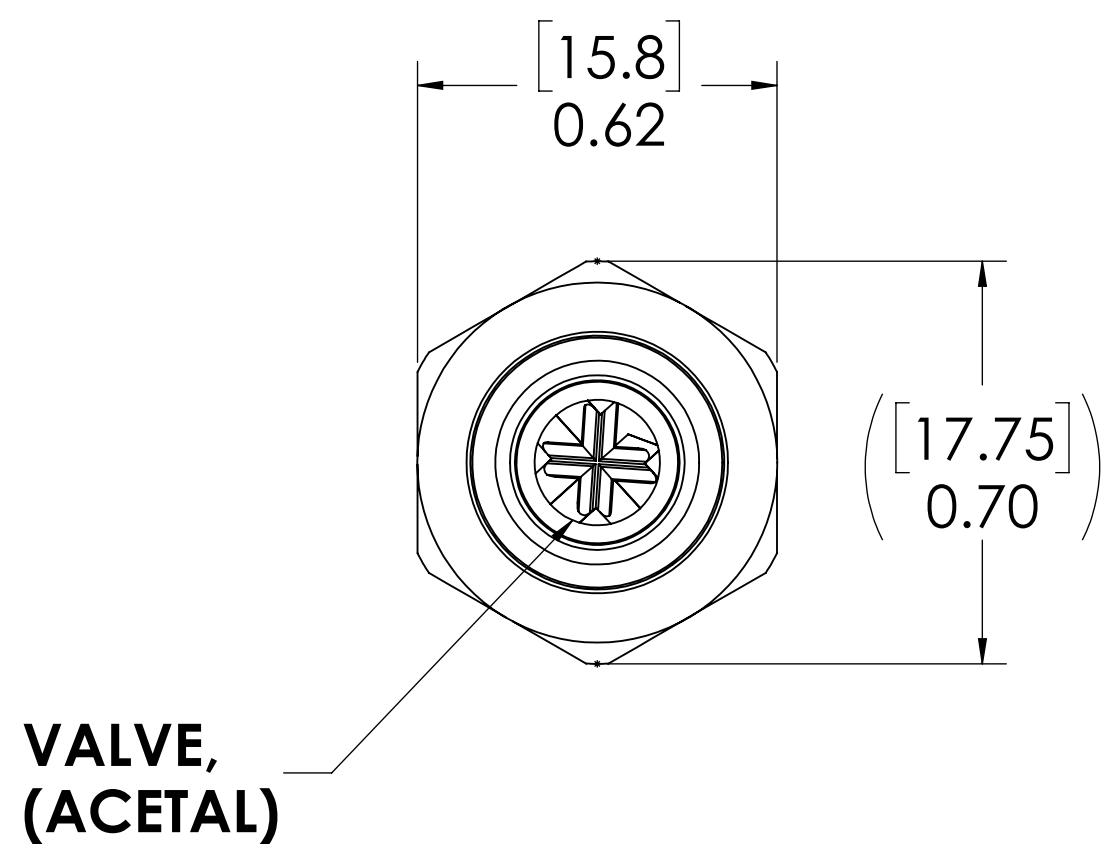


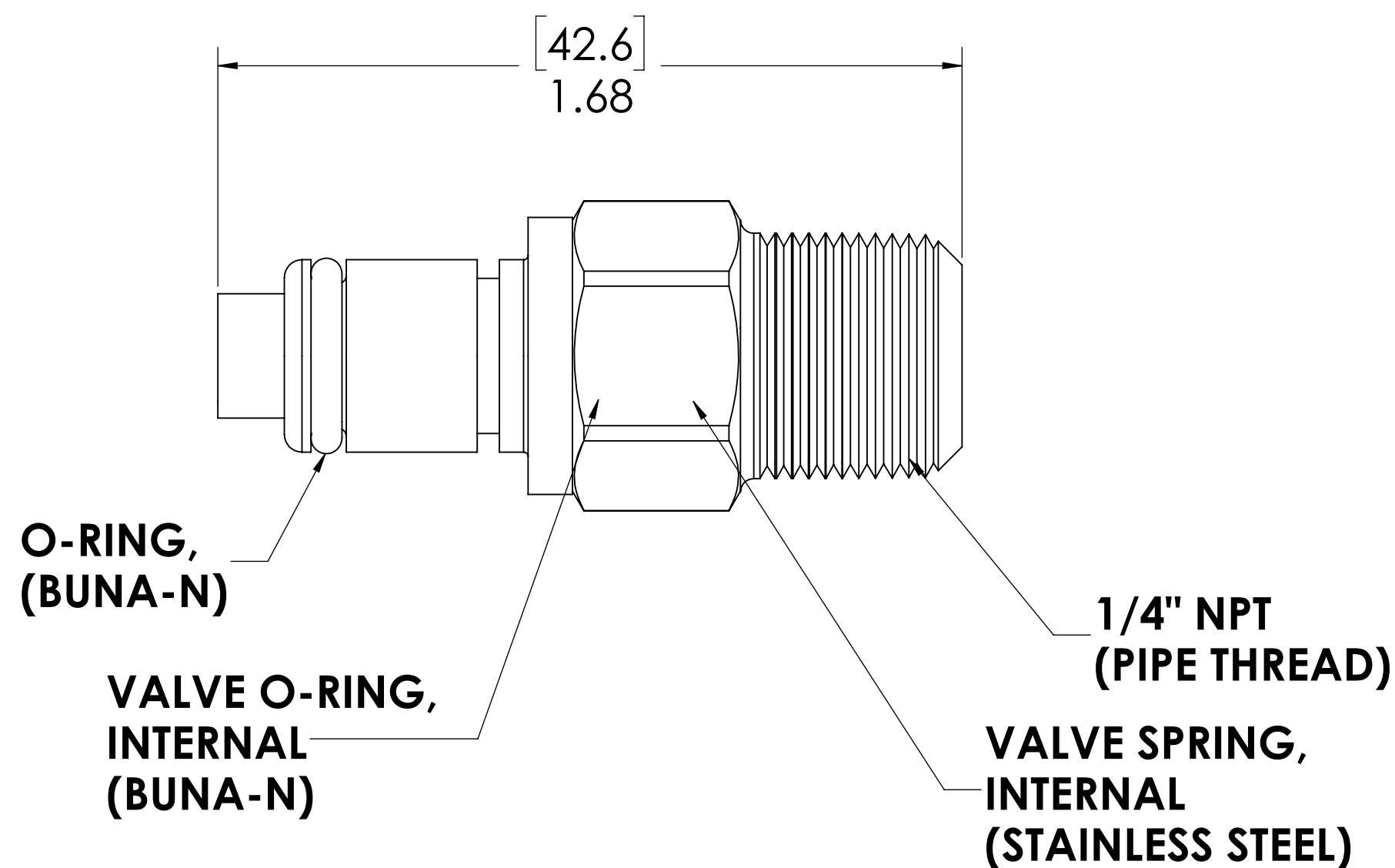
REVISIONS						
SHEET	ZONE	REV.	ECO	DESCRIPTION	DATE	APPROVED
1	ALL	A	50253	2017 FORMAT UPDATE	3/8/2018	HRC



**PLUG,  
(BRASS, NICKEL AND  
CHROME PLATED)**



**VALVE,  
(ACETAL)**



**O-RING,  
(BUNA-N)**

**VALVE O-RING,  
INTERNAL  
(BUNA-N)**

**VALVE SPRING,  
INTERNAL  
(STAINLESS STEEL)**

**1/4\"/>**

**NOTES:**

- MATERIAL: BRASS
- FINISH: CHROME
- O-RING MATERIAL: BUNA-N
- O-RINGS LUBRICATED WITH FOOD GRADE SILICONE OIL, 350 CST.

**FOR REFERENCE ONLY**

<small>UNLESS OTHERWISE SPECIFIED: DIMENSIONS ARE IN INCHES TOLERANCES: FRACTIONAL ± 1/32 ANGULAR: MACH ± 0.5 BEND ± 2 ONE PLACE DECIMAL ± 0.1 TWO PLACE DECIMAL ± 0.01 THREE PLACE DECIMAL ± 0.005 TWO PLACE DUAL (mm) [± 0.12]</small>	DRAWN	RDA	7/10/2017	
	CHECKED	HRC	7/10/2017	
	ENG APPR.	HRC	03-08-18	
	MFG APPR.	BDB	03-08-18	
<small>PROPRIETARY AND CONFIDENTIAL THE INFORMATION CONTAINED IN THIS DRAWING IS THE SOLE PROPERTY OF LINKTECH LLC. ANY REPRODUCTION OR DISCLOSURE IN PART OR AS A WHOLE WITHOUT THE WRITTEN PERMISSION OF LINKTECH LLC IS STRICTLY PROHIBITED.</small>	PURCHASING	RK	03-08-18	<b>PART NO: 40CBV-PB1-04</b> <b>DESCRIPTION: LinkTech 40CB Series male Thread Male, Valved, 250 MNPT, Chrome Brass</b>
<small>SCALE: NTS</small>		<small>WEIGHT:</small>		<small>REV</small> <b>A</b>
<small>SHEET 1 OF 1</small>				