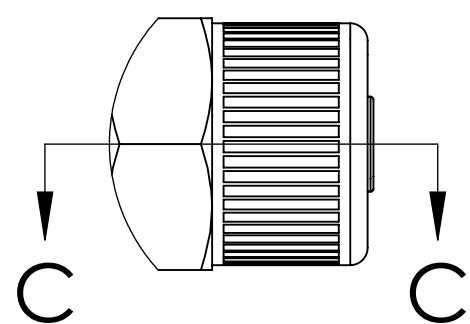
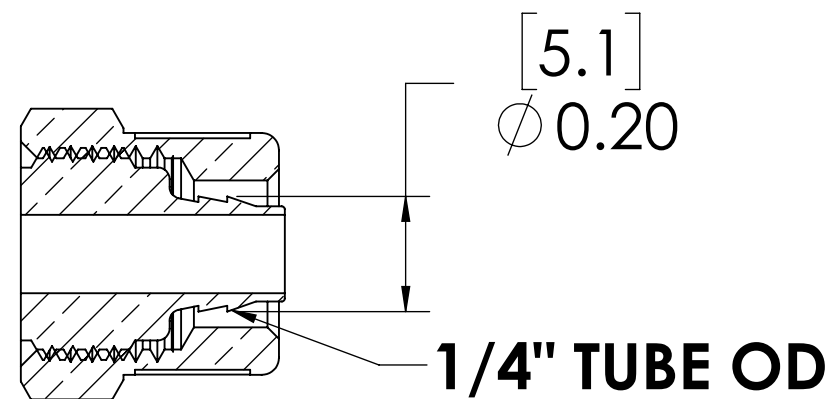


REVISIONS						
SHEET	ZONE	REV.	ECO	DESCRIPTION	DATE	APPROVED
1	ALL	A	50242	PIN, PIN SPRING & 2017 FORMAT UPDATE	10/18/2018	HRC

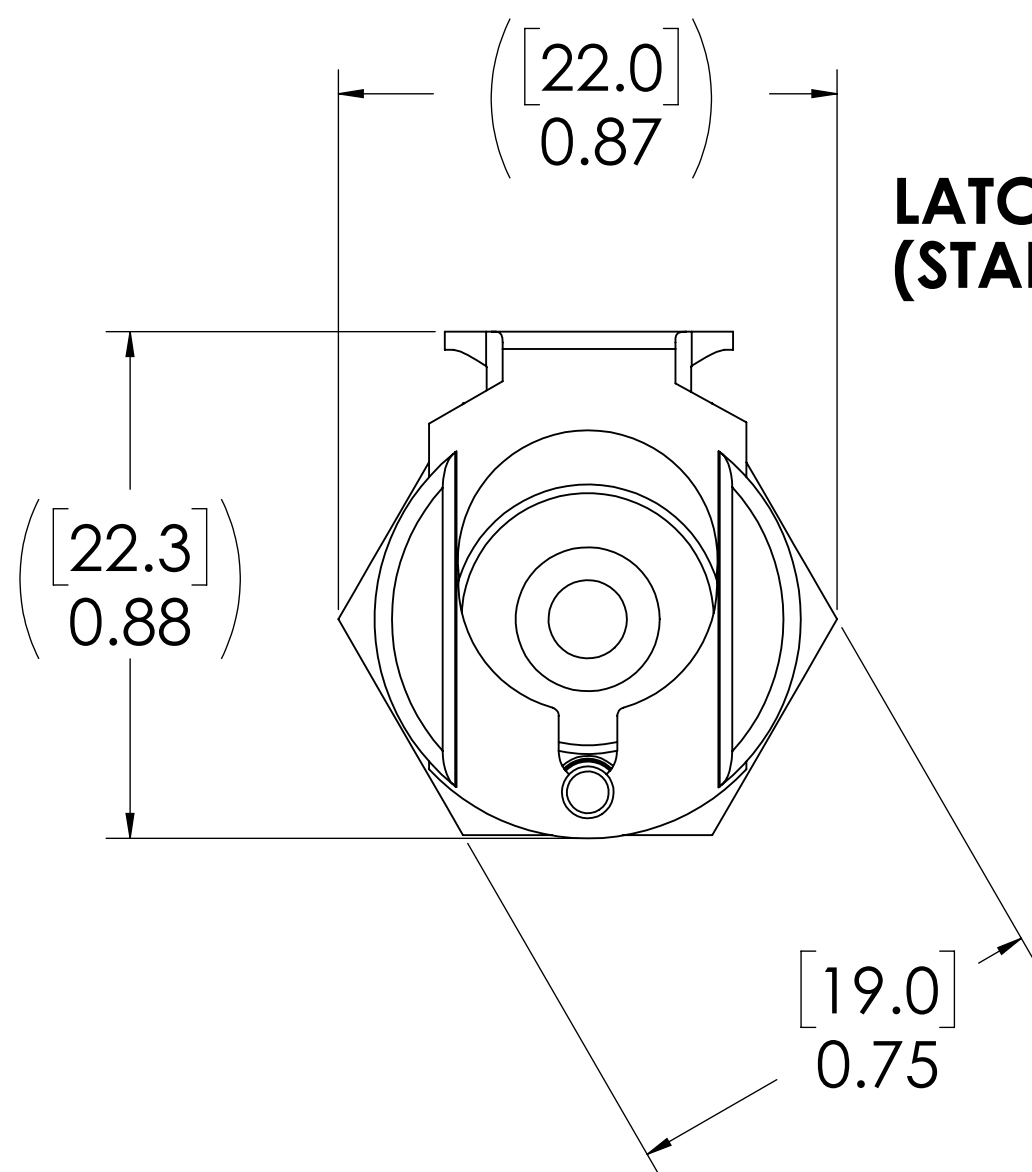
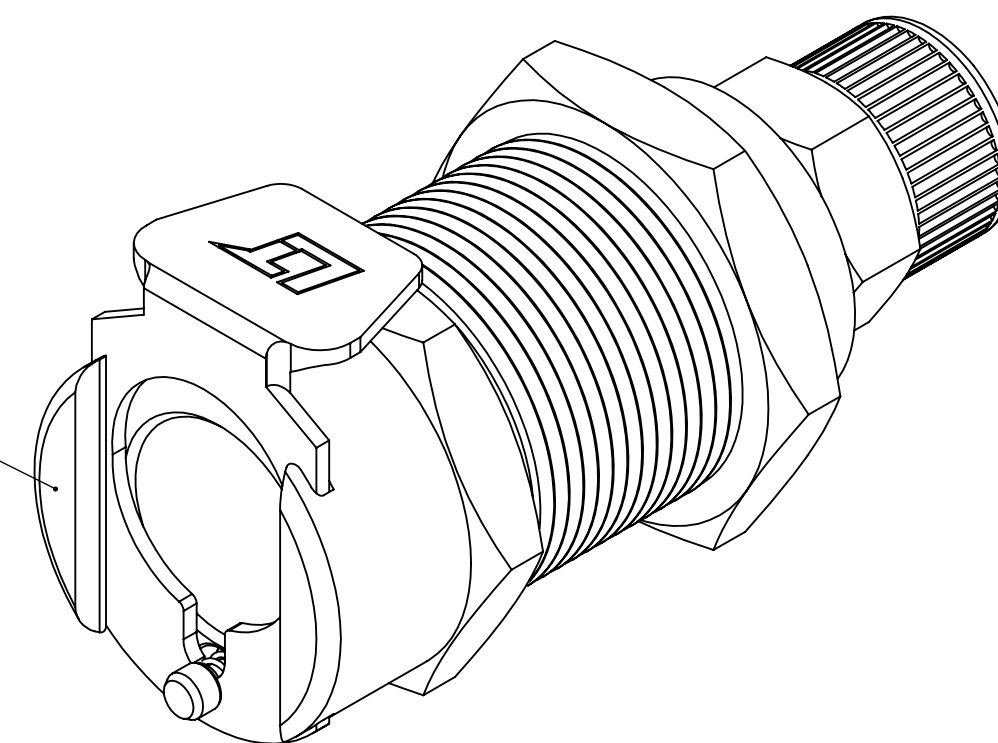


DETAIL B

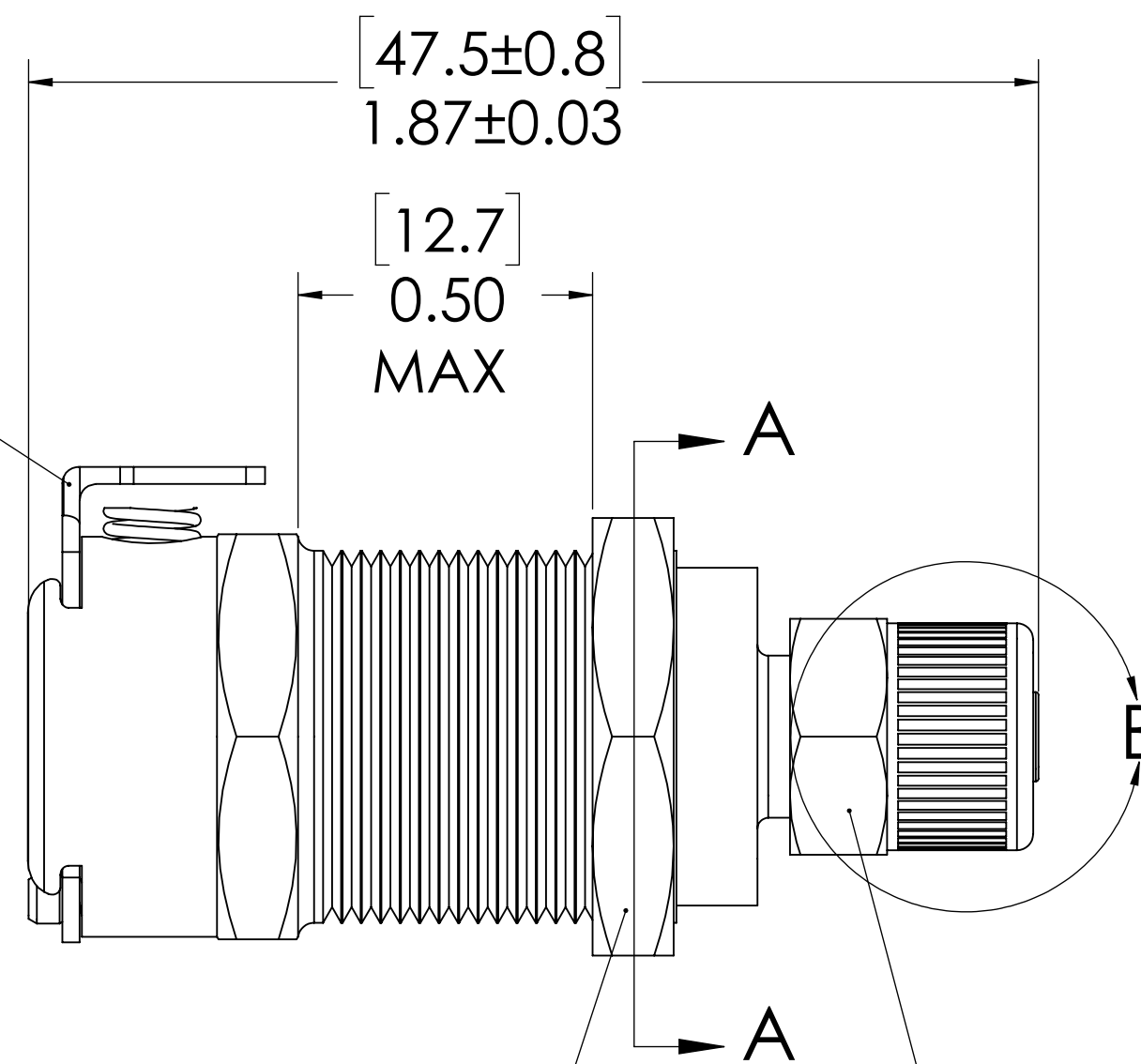


SECTION C-C

**SOCKET
(BRASS, NICKEL &
CHROME PLATED)**

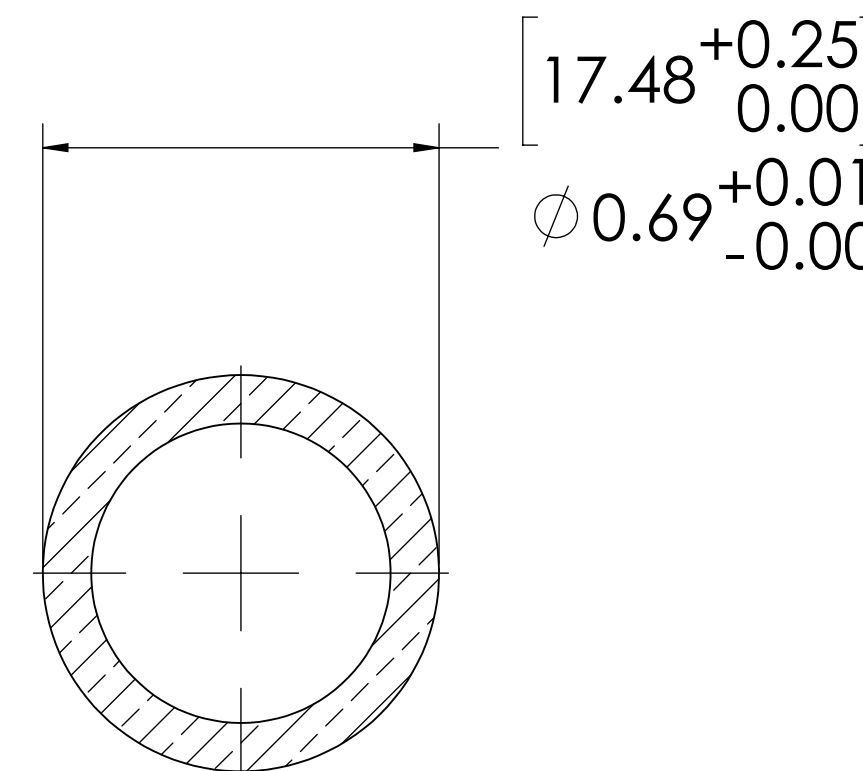


**LATCH HARDWARE
(STAINLESS STEEL)**



**PANEL NUT
(BRASS, NICKEL PLATED)
(PACKAGED SEPARATELY)**

**PTF NUT
(BRASS, NICKEL PLATED)
(PACKAGED SEPARATELY)**



**PANEL OPENING
SECTION A-A**

- NOTES:**
- MATERIAL: BRASS
 - FINISH: CHROME

FOR REFERENCE ONLY

<small>UNLESS OTHERWISE SPECIFIED: DIMENSIONS ARE IN INCHES TOLERANCES: FRACTIONAL ± 1/32 ANGULAR: MACH ± 0.5 BEND ± 2 ONE PLACE DECIMAL ± 0.1 TWO PLACE DECIMAL ± 0.01 THREE PLACE DECIMAL ± 0.005 TWO PLACE DUAL (mm) [±0.12]</small>	DRAWN	LDM	1/17/2018	
	CHECKED	HRC	1/17/2018	
	ENG APPR.	HRC	10/18/18	
	MFG APPR.	BDB	10/18/18	
PRODUCTION	LS	10/18/18		PART NO: 40CB-S8-04 DESCRIPTION: LinkTech 40CB Series Panel Mt. Female, Non-valved, 1/4" PTF, Chrome Brass
<small>THE INFORMATION CONTAINED IN THIS DRAWING IS THE SOLE PROPERTY OF LINKTECH LLC. ANY REPRODUCTION OR DISCLOSURE IN PART OR AS A WHOLE WITHOUT THE WRITTEN PERMISSION OF LINKTECH LLC IS STRICTLY PROHIBITED.</small>				SIZE DWG. NO. REV C 40CB400049 A
<small>SCALE: NTS WEIGHT:</small>			<small>SHEET 1 OF 1</small>	