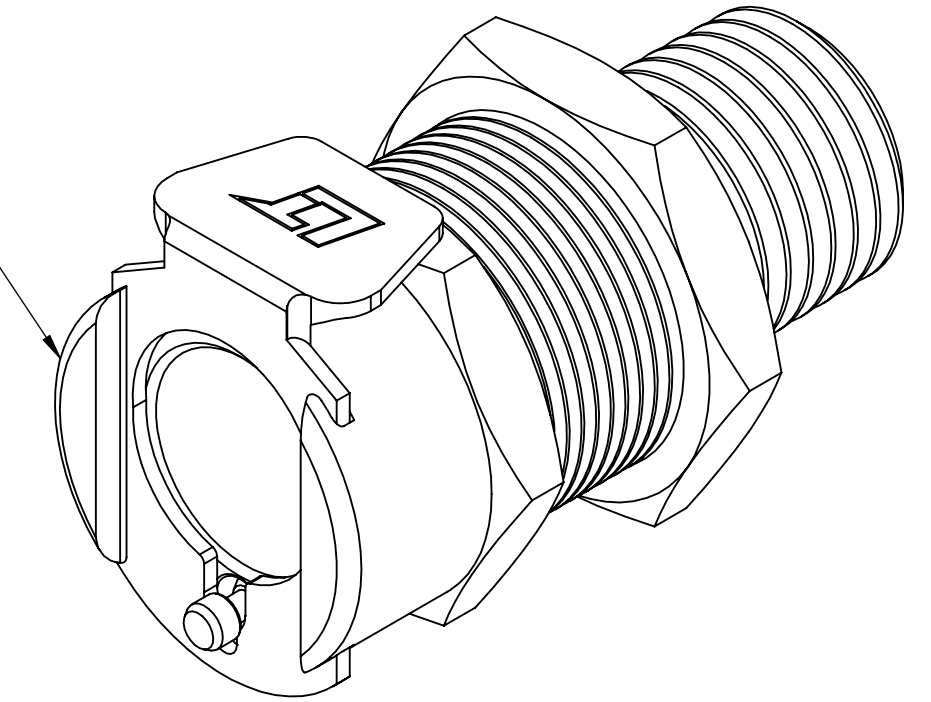
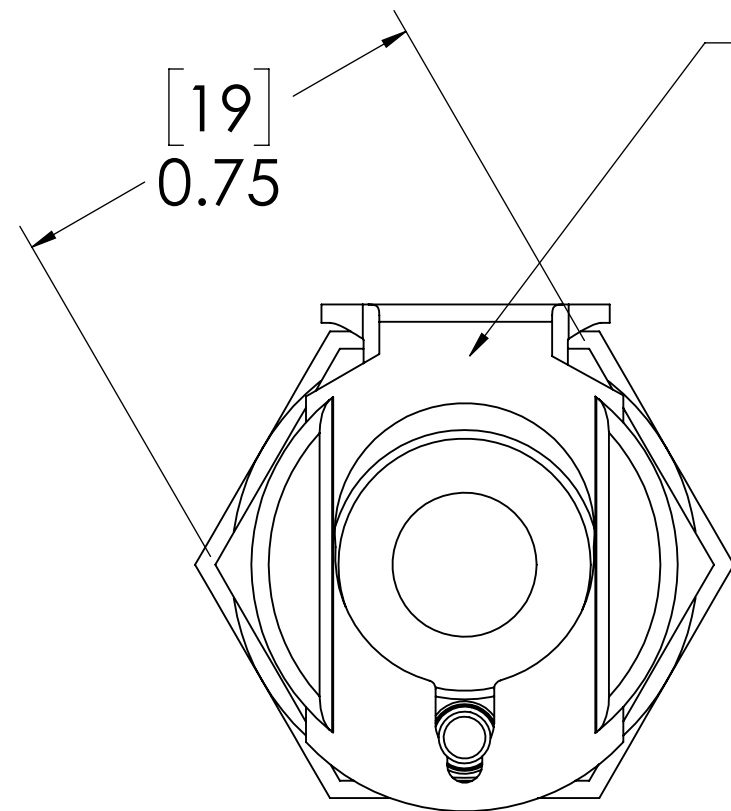


REVISIONS						
SHEET	ZONE	REV.	ECO	DESCRIPTION	DATE	APPROVED
1	ALL	A	50242	PIN, PIN SPRING & FORMAT UPDATE	10/25/2017	HRC

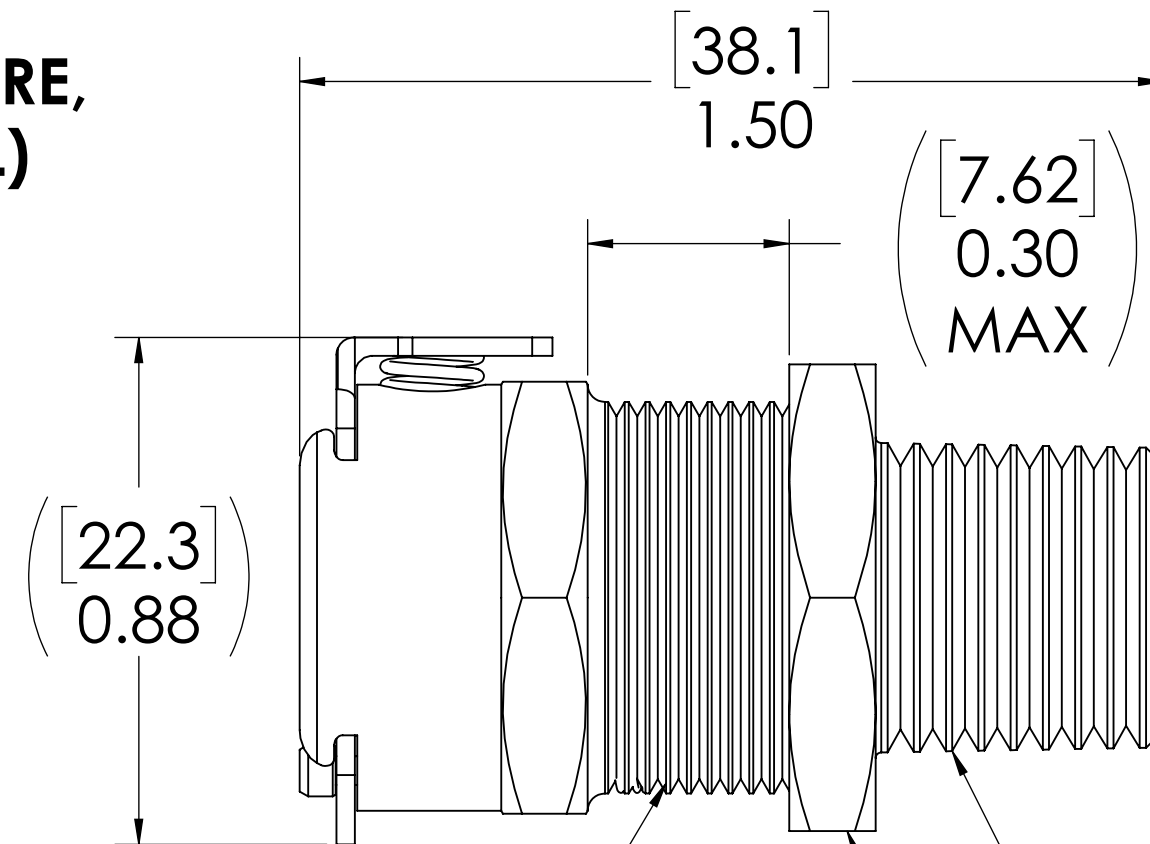
**SOCKET,
(BRASS, CHROME PLATED)**



**LATCH HARDWARE,
(STAINLESS STEEL)**

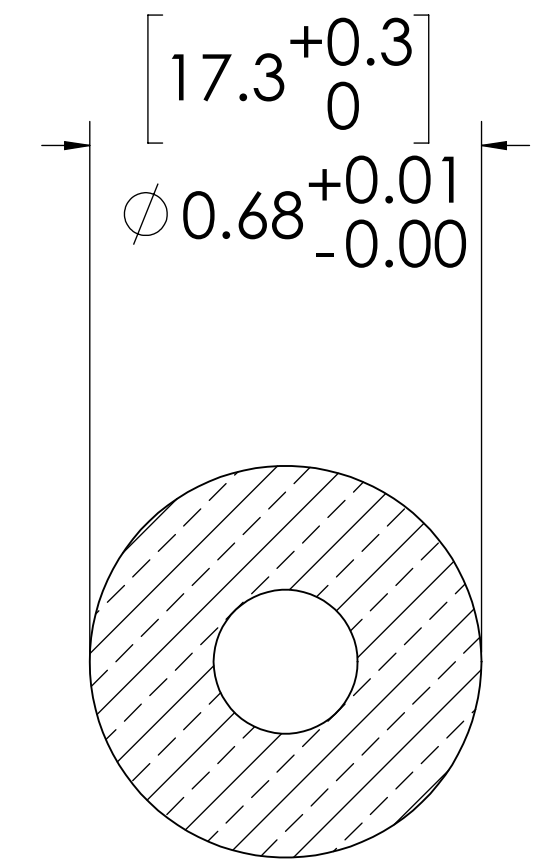


11/16"-24 UNS THREAD



**1/4" NPT
(PIPE THREAD)**

**PANEL NUT,
(BRASS, NICKEL PLATED)
PACKAGED SEPARATELY**



PANEL OPENING

FOR REFERENCE ONLY

NOTES:
1. MATERIAL: BRASS AND CHROME PLATED

<small>UNLESS OTHERWISE SPECIFIED: DIMENSIONS ARE IN INCHES TOLERANCES: FRACTIONAL ± 1/32 ANGULAR: MACH ± 0.5 BEND ± 2 ONE PLACE DECIMAL ± 0.1 TWO PLACE DECIMAL ± 0.01 THREE PLACE DECIMAL ± 0.005 TWO PLACE DUAL (mm) [± 0.12]</small>	DRAWN	RDA	8/16/2017	
	CHECKED	HRC	8/16/2017	
	ENG APPR.	HRC	10-25-17	
	MFG APPR.	BDB	10-25-17	
<small>PROPRIETARY AND CONFIDENTIAL</small>	Q.A.	JJB	10-25-17	PART NO: 40CB-S12-04 DESCRIPTION: Linktech 40CB Series Panel Mt. Female, Male Thread, Non-valved, 250 MNPT, Chrome Brass
<small>THE INFORMATION CONTAINED IN THIS DRAWING IS THE SOLE PROPERTY OF LINKTECH LLC. ANY REPRODUCTION OR DISCLOSURE IN PART OR AS A WHOLE WITHOUT THE WRITTEN PERMISSION OF LINKTECH LLC IS STRICTLY PROHIBITED.</small>	COMMENTS:			SIZE DWG. NO. REV C 40CB400046 A
SCALE: NTS		WEIGHT:	SHEET 1 OF 1	