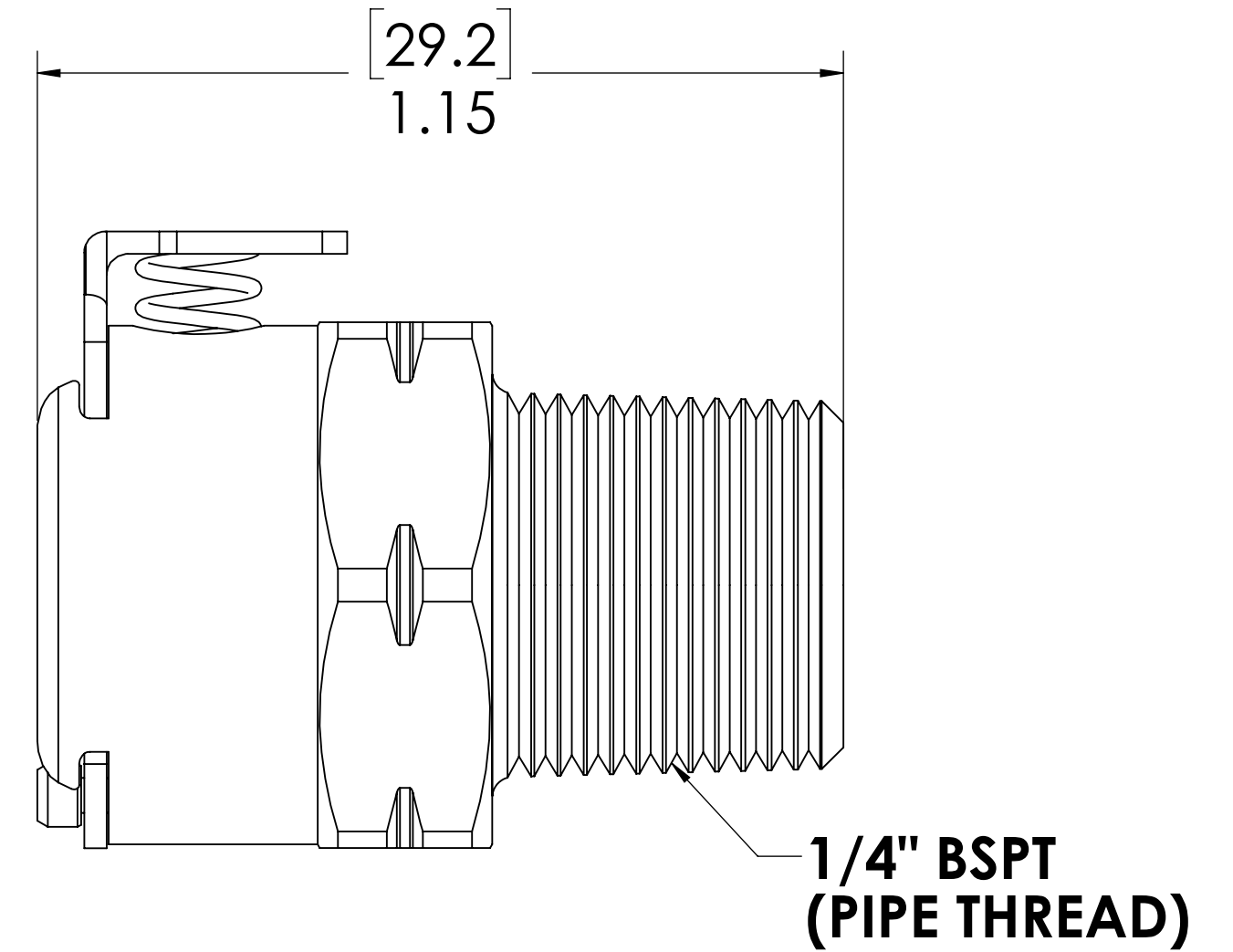
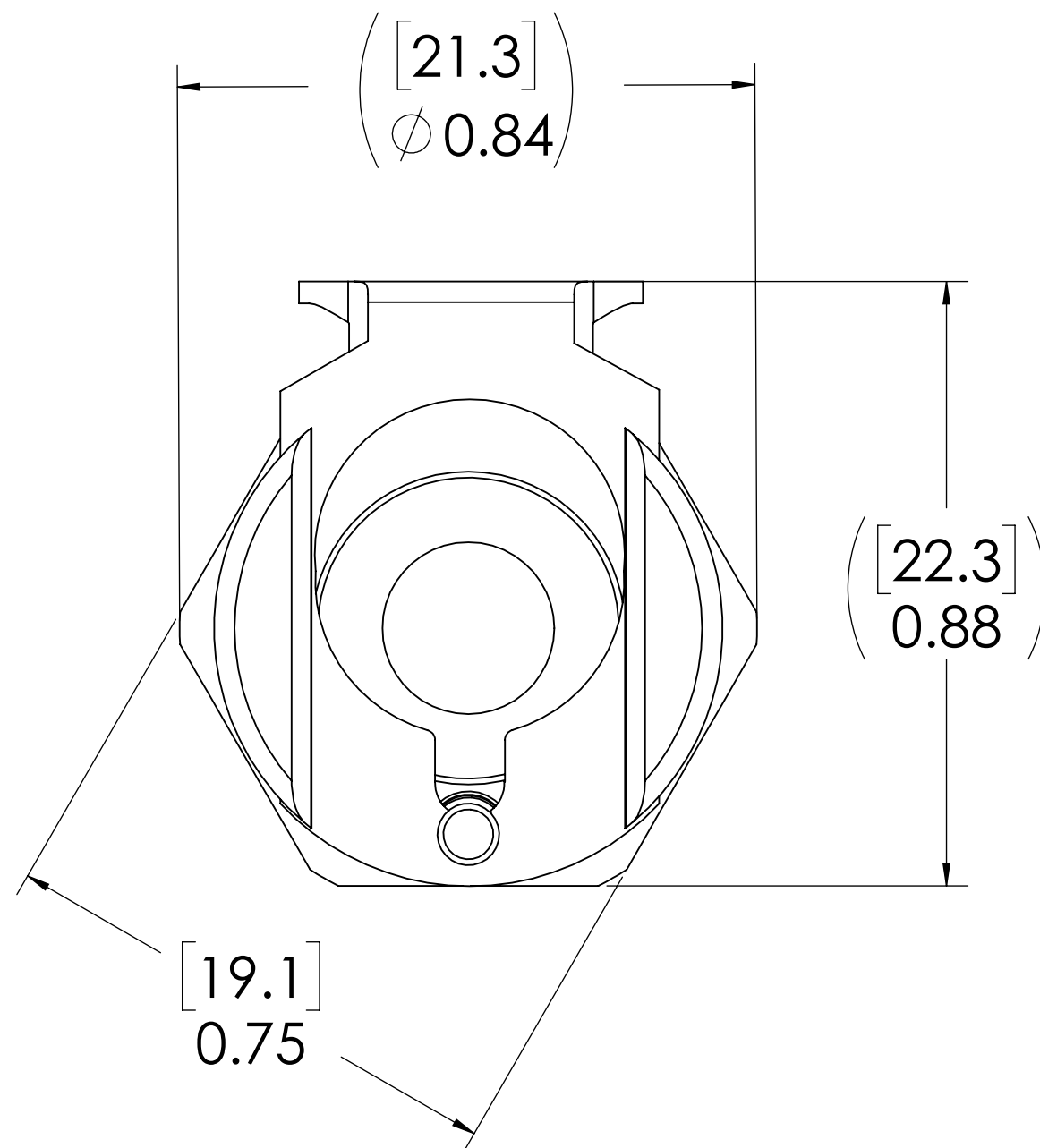
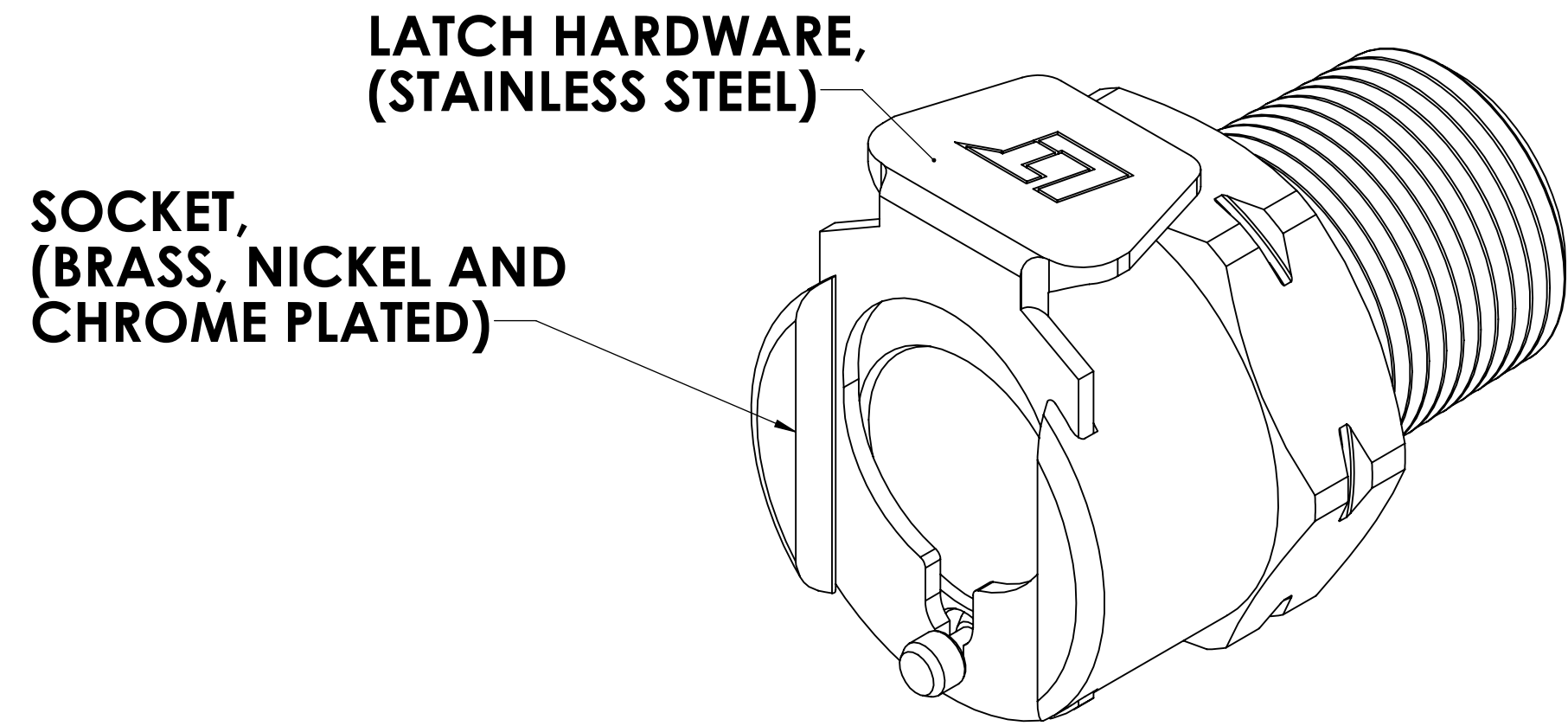


| REVISIONS |      |      |       |                 |            |          |
|-----------|------|------|-------|-----------------|------------|----------|
| SHEET     | ZONE | REV. | ECO   | DESCRIPTION     | DATE       | APPROVED |
| 1         | ALL  | A    | 50242 | INITIAL RELEASE | 10/18/2018 | HRC      |



**FOR REFERENCE ONLY**

- NOTES:**
- MATERIAL: BRASS
  - FINISH: CHROME

|   |            |          |          |  |
|---|------------|----------|----------|--|
| <small>UNLESS OTHERWISE SPECIFIED:<br/>DIMENSIONS ARE IN INCHES<br/>TOLERANCES:<br/>FRACTIONAL ± 1/32<br/>ANGULAR, MACH: ± 0.5 BEND ± 2<br/>ONE PLACE DECIMAL ± 0.1<br/>TWO PLACE DECIMAL ± 0.01<br/>THREE PLACE DECIMAL ± 0.005<br/>TWO PLACE DUAL (mm) [± 0.12]</small> | DRAWN      | CGS      | 2/7/18   |  |
|   | CHECKED    | HRC      | 2/7/18   |  |
|   | ENG APPR.  | HRC      | 10/18/18 |  |
|   | MFG APPR.  | BDB      | 10/18/18 |  |
| PRODUCTION  | LS         | 10/18/18 |          | <b>PART NO:</b> 40CB-S1-04BSPT<br><b>DESCRIPTION:</b> LinkTech 40CB Series Male Thread Female, Non-valved, 1/4" BSPT, Chrome Brass |
| <small>PROPRIETARY AND CONFIDENTIAL<br/>THE INFORMATION CONTAINED IN THIS DRAWING IS THE SOLE PROPERTY OF LINKTECH LLC. ANY REPRODUCTION OR DISCLOSURE IN PART OR AS A WHOLE WITHOUT THE WRITTEN PERMISSION OF LINKTECH LLC IS STRICTLY PROHIBITED.</small>               | COMMENTS:  |          |          | <b>SIZE</b> DWG. NO. REV<br><b>C</b> 40CB400241 <b>A</b>   |
|   | SCALE: NTS |          | WEIGHT:  | SHEET 1 OF 1   |
|   |            |          |          |  |