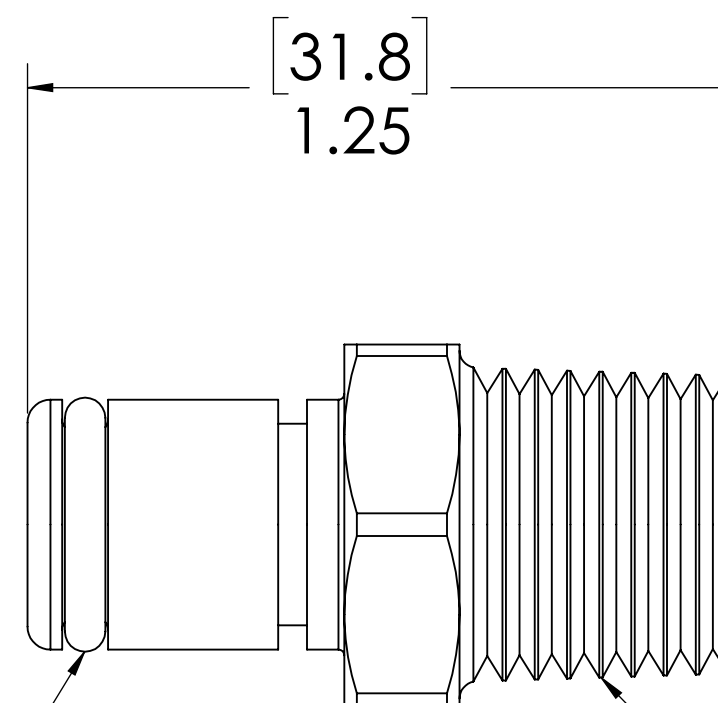
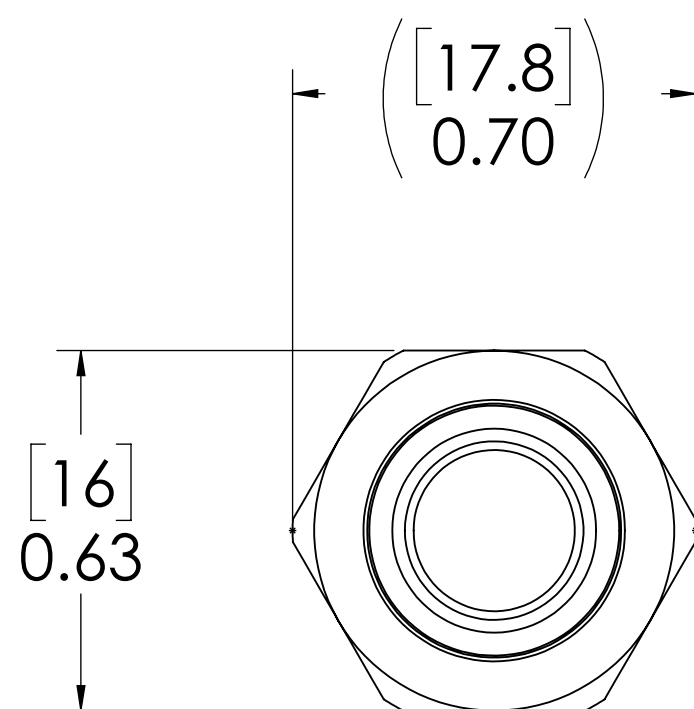
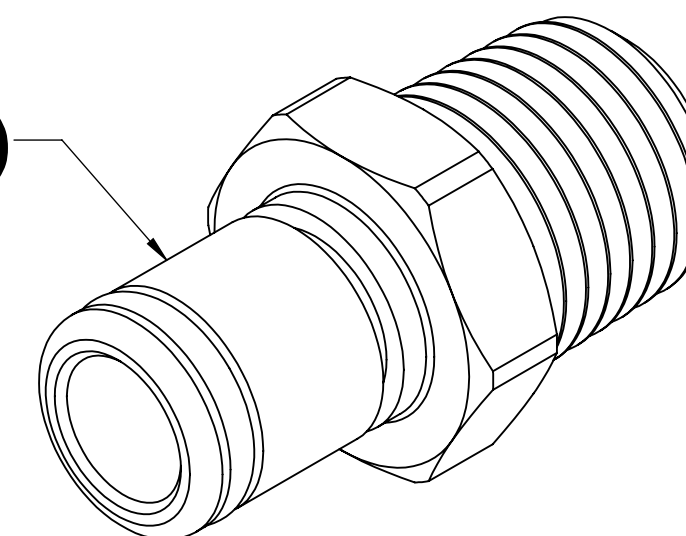


REVISIONS						
SHEET	ZONE	REV.	ECO	DESCRIPTION	DATE	APPROVED
1	ALL	A	50253	FORMAT UPDATE	7/26/2017	HRC

**PLUG,  
(BRASS,  
NICKEL AND  
CHROME PLATED)**



**O-RING  
EXTERNAL  
(BUNA-N)**

**1/4" NPT  
(PIPE THREAD)**

**NOTES:**

1. MATERIAL:BRASS
2. FINISH: CHROME
3. O-RING MATERIAL: BUNA-N
4. O-RINGS LUBRICATED WITH FOOD GRADE SILICONE OIL, 350 CST.

**FOR REFERENCE ONLY**

<small>UNLESS OTHERWISE SPECIFIED: DIMENSIONS ARE IN INCHES TOLERANCES: FRACTIONAL ± 1/32 ANGULAR: MACH ± 0.5 BEND ± 2 ONE PLACE DECIMAL ± 0.1 TWO PLACE DECIMAL ± 0.01 THREE PLACE DECIMAL ± 0.005 TWO PLACE DUAL (mm) [± 0.12]</small>	DRAWN	RDA	7/26/2017	
	CHECKED	HRC	7/26/2017	
	ENG APPR.	XXX	XX/XX/XX	
	MFG APPR.	XXX	XX/XX/XX	
PROPRIETARY AND CONFIDENTIAL	Q.A.	XXX	XX/XX/XX	<b>PART NO: 40CB-PB1-04</b> <b>DESCRIPTION:</b> <b>LinkTech 40CB Series Male Thread Male, Non-valved, 250MNPT, Chrome Brass</b>
<small>THE INFORMATION CONTAINED IN THIS DRAWING IS THE SOLE PROPERTY OF LINKTECH LLC. ANY REPRODUCTION OR DISCLOSURE IN PART OR AS A WHOLE WITHOUT THE WRITTEN PERMISSION OF LINKTECH LLC IS STRICTLY PROHIBITED.</small>			<small>COMMENTS:</small>	
<small>SIZE</small> <b>C</b>	<small>DWG. NO.</small> <b>40CB400226</b>	<small>REV</small> <b>A</b>		
<small>SCALE: NTS</small>		<small>WEIGHT:</small>	<small>SHEET 1 OF 1</small>	