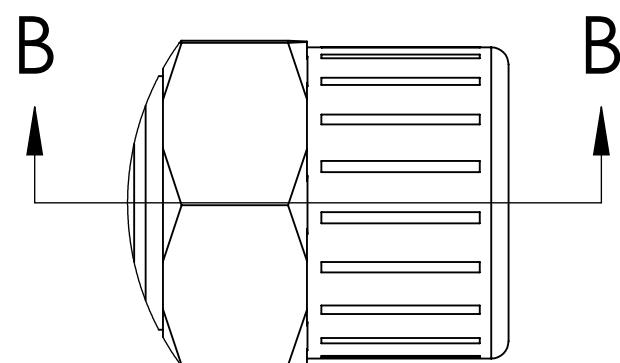
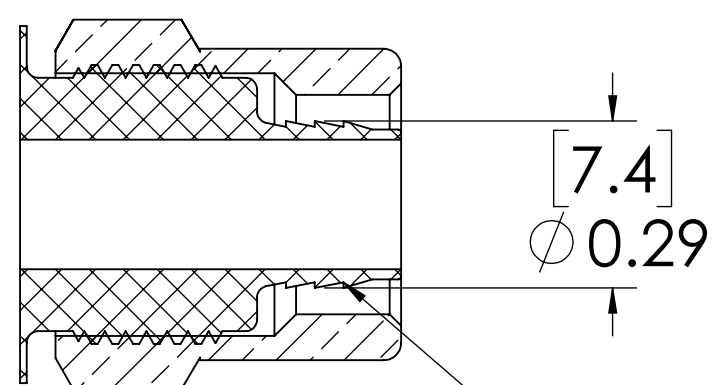


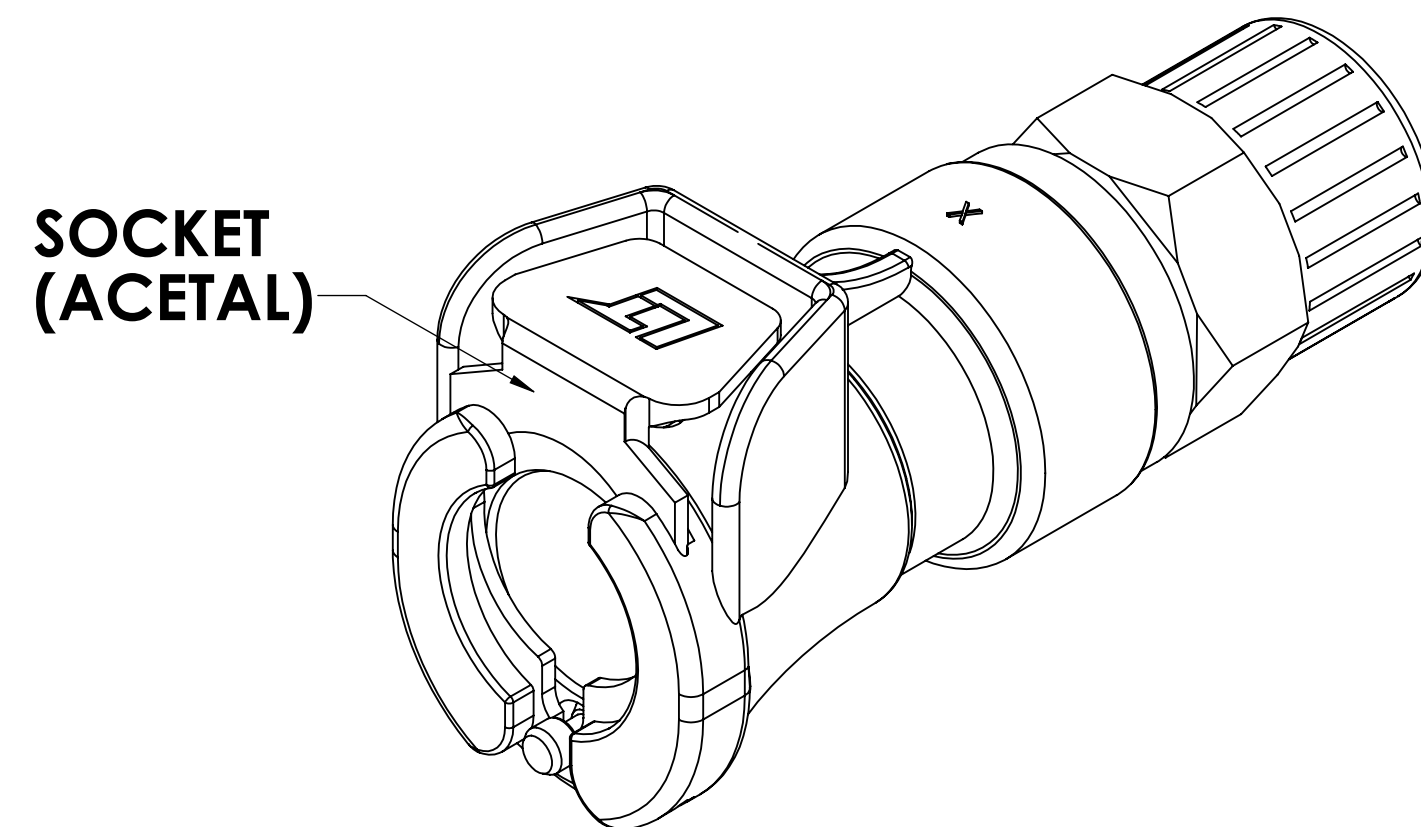
REVISIONS						
SHEET	ZONE	REV.	ECO	DESCRIPTION	DATE	APPROVED
1	ALL	A	50242	UPDATE DWG TO CURRENT FORMAT & STANDARDS	10/12/2018	HRC



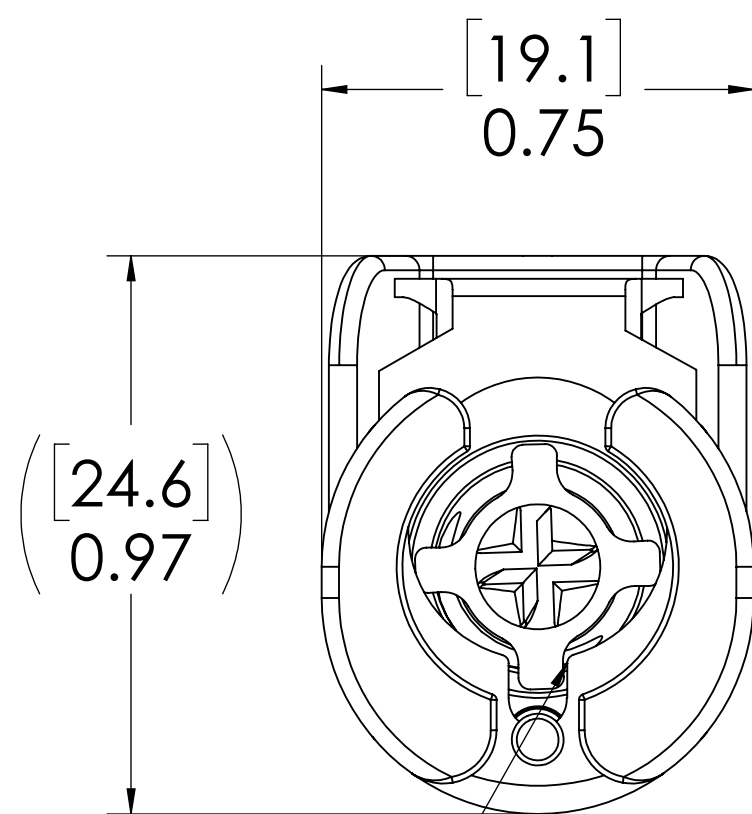
**DETAIL A**



**SECTION B-B** — 3/8" TUBE OD

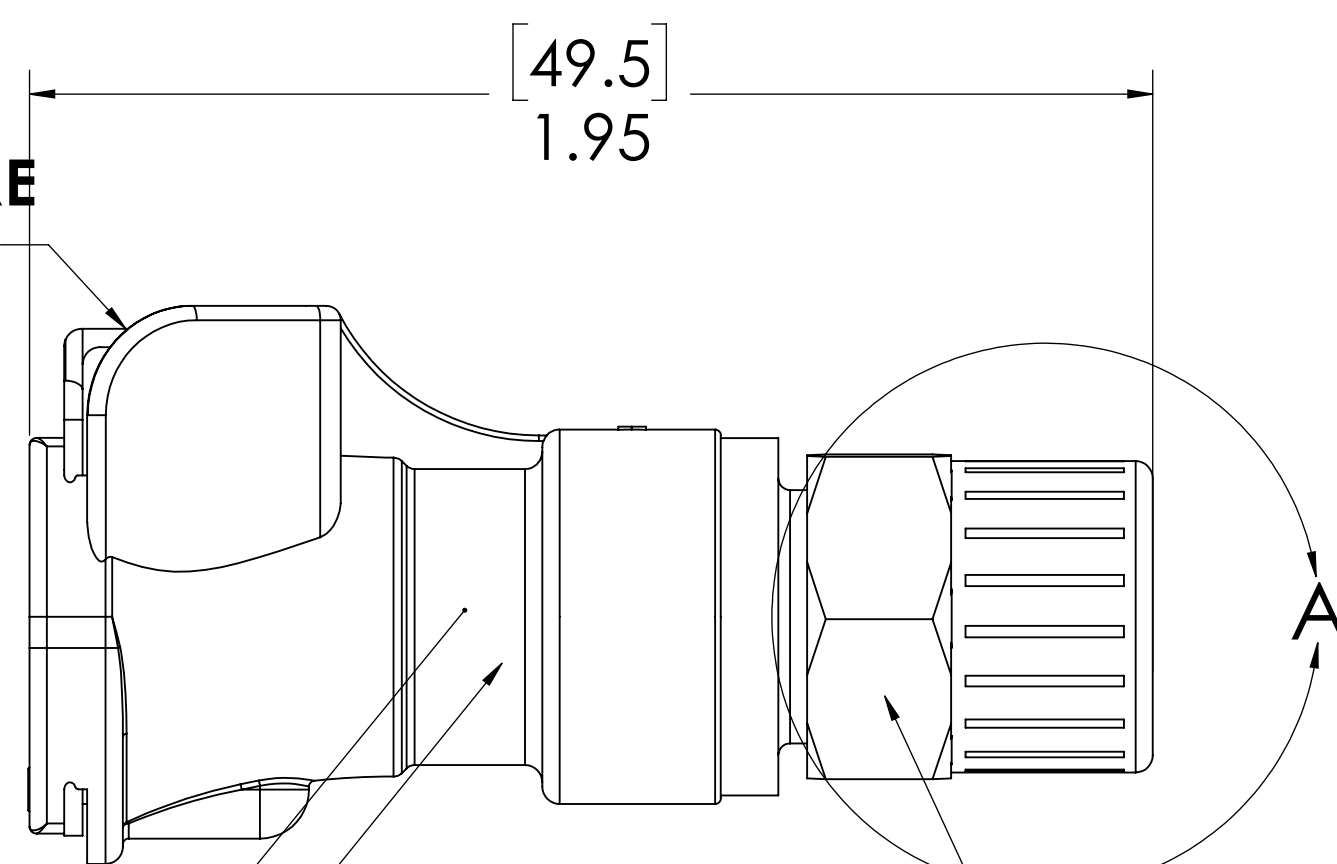


**SOCKET (ACETAL)**



**VALVE (ACETAL)**

**LATCH HARDWARE (STAINLESS STEEL)**



**PTF NUT (BRASS, NICKEL PLATED) (PACKAGED SEPARATELY)**

**VALVE O-RING INTERNAL (BUNA-N)**

**VALVE SPRING INTERNAL (STAINLESS STEEL)**

**NOTES:**

- MATERIAL: ACETAL
- COLOR: NATURAL WHITE
- O-RING MATERIAL: BUNA-N
- O-RINGS LUBRICATED WITH FOOD GRADE SILICONE OIL, 350 CST.

**FOR REFERENCE ONLY**

<small>UNLESS OTHERWISE SPECIFIED: DIMENSIONS ARE IN INCHES TOLERANCES: FRACTIONAL ± 1/32 ANGULAR, MACH ± 0.5 BEND ± 2 ONE PLACE DECIMAL ± 0.1 TWO PLACE DECIMAL ± 0.01 THREE PLACE DECIMAL ± 0.005 TWO PLACE DUAL (mm) ± 0.12</small>	DRAWN	<b>LDM</b>	<b>12/4/17</b>	
	CHECKED	<b>HRC</b>	<b>12/4/17</b>	
	ENG APPR.	<b>HRC</b>	<b>10/12/18</b>	<b>PART NO: 40ACV-SB9-06</b> <b>DESCRIPTION: LinkTech 40AC Series</b> <b>Straight Female, Valved, 3/8" PTF,</b> <b>Natural Acetal</b>
	MFG APPR.	<b>BDB</b>	<b>10/12/18</b>	
PRODUCTION	<b>LS</b>	<b>10/12/18</b>	<b>SIZE DWG. NO. REV</b> <b>C 40AC400248 A</b>	
<small>THE INFORMATION CONTAINED IN THIS DRAWING IS THE SOLE PROPERTY OF LINKTECH LLC. ANY REPRODUCTION OR DISCLOSURE IN PART OR AS A WHOLE WITHOUT THE WRITTEN PERMISSION OF LINKTECH LLC IS STRICTLY PROHIBITED.</small>				<b>SCALE: NTS WEIGHT: SHEET 1 OF 1</b>