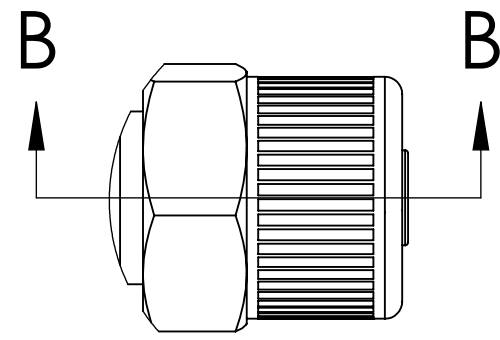
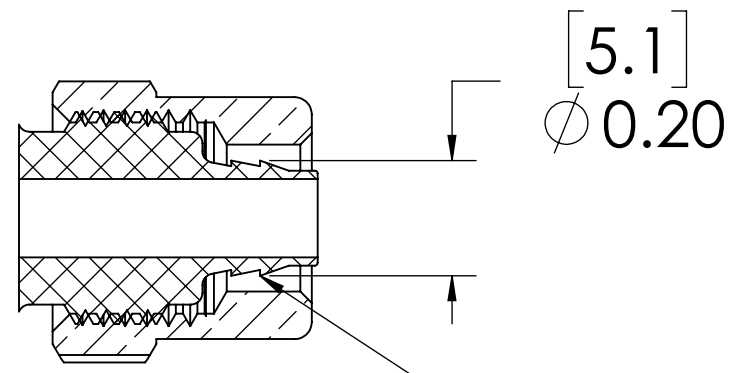


REVISIONS						
SHEET	ZONE	REV.	ECO	DESCRIPTION	DATE	APPROVED
1	ALL	A	50242	UPDATE DWG TO CURRENT FORMAT @ STANDARDS	10/12/2018	HRC



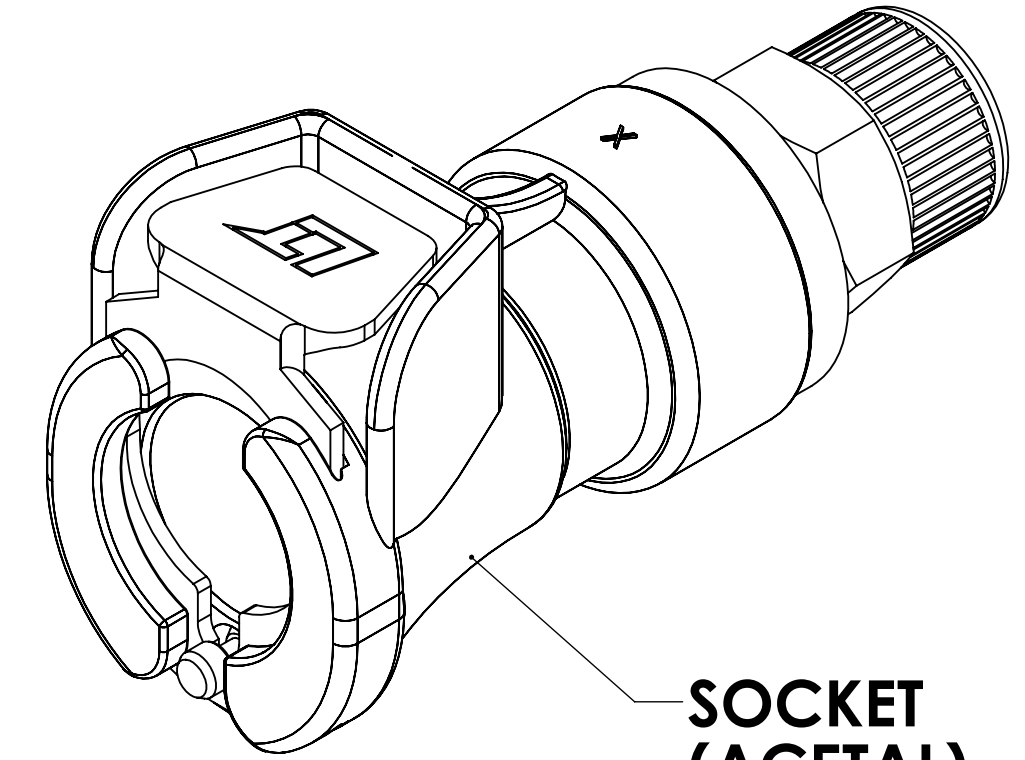
DETAIL A



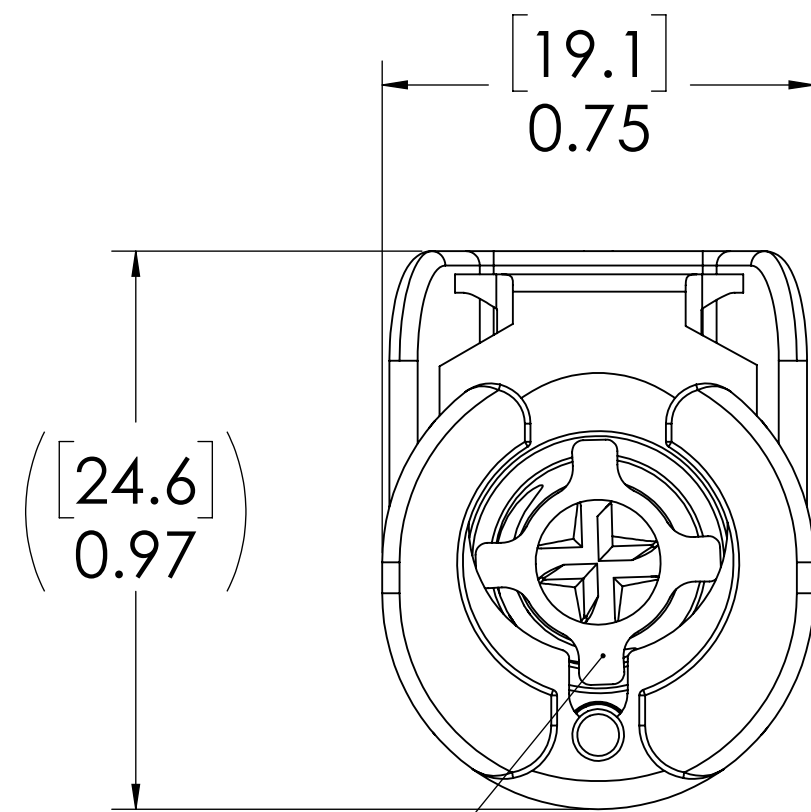
SECTION B-B

[5.1]
Ø 0.20

1/4" TUBE OD

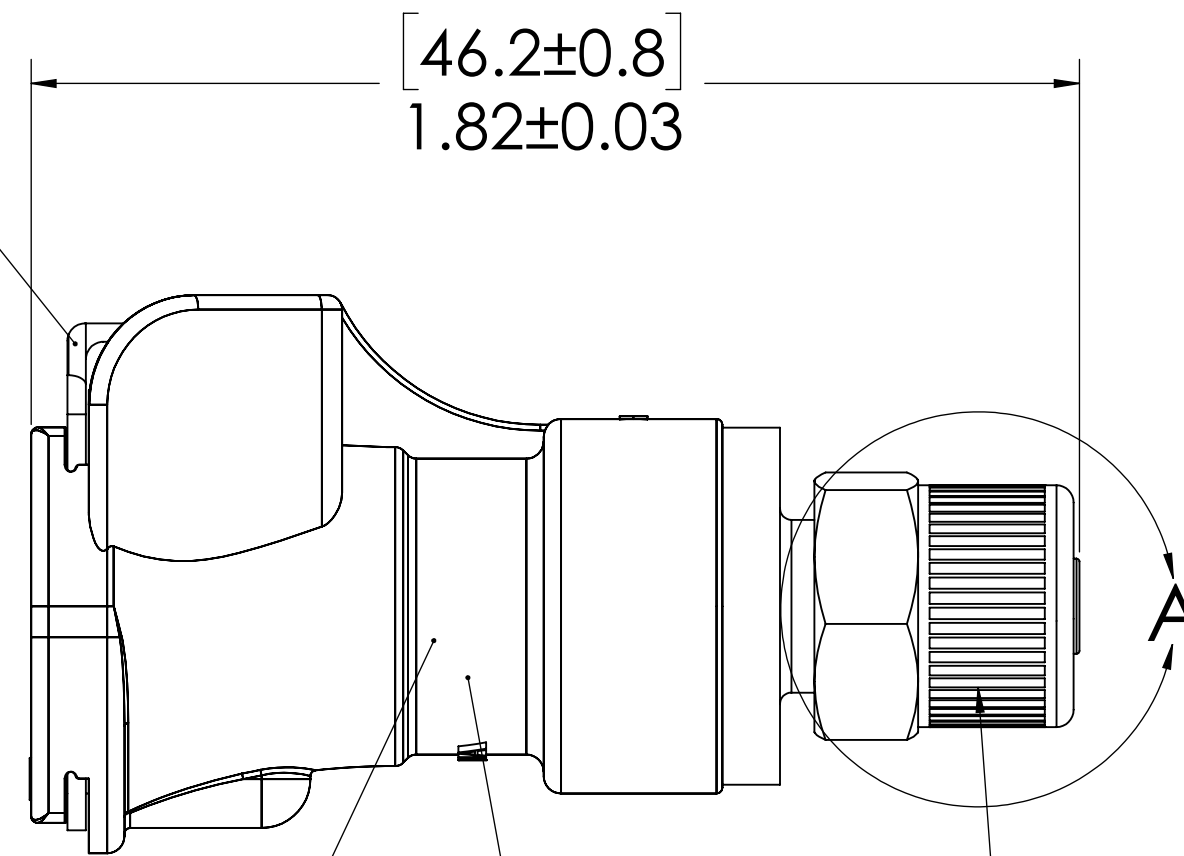


SOCKET (ACETAL)



VALVE (ACETAL)

LATCH HARDWARE (STAINLESS STEEL)



VALVE O-RING INTERNAL (BUNA-N)


VALVE SPRING INTERNAL (STAINLESS STEEL)

PTF NUT (BRASS, NICKEL PLATED) (PACKAGED SEPARATELY)

NOTES:

- MATERIAL: ACETAL
- COLOR: NATURAL WHITE
- O-RING MATERIAL: BUNA-N
- O-RINGS LUBRICATED WITH FOOD GRADE SILICONE OIL, 350 CST.

FOR REFERENCE ONLY

UNLESS OTHERWISE SPECIFIED:		NAME	DATE	 LINKTECH <small>DRINK WATER DISPENSERS</small>
DIMENSIONS ARE IN INCHES		DRAWN	LDM 12/4/17	
TOLERANCES:		CHECKED	HRC 12/4/17	DESCRIPTION: LinkTech 40AC Series Straight Female, Valved, 1/4" PTF, Natural Acetal
FRACTIONAL ± 1/32		ENG APPR.	HRC 10/12/18	
ANGULAR: MACH ± 0.5 BEND ± 2		MFG APPR.	BDB 10/12/18	SCALE: NTS WEIGHT: SHEET 1 OF 1
ONE PLACE DECIMAL ± 0.1		PRODUCTION	LS 10/12/18	
TWO PLACE DECIMAL ± 0.01		COMMENTS:		
THREE PLACE DECIMAL ± 0.005				
TWO PLACE DUAL (mm) [±0.12]				
PROPRIETARY AND CONFIDENTIAL THE INFORMATION CONTAINED IN THIS DRAWING IS THE SOLE PROPERTY OF LINKTECH LLC. ANY REPRODUCTION OR DISCLOSURE IN PART OR AS A WHOLE WITHOUT THE WRITTEN PERMISSION OF LINKTECH LLC IS STRICTLY PROHIBITED.				