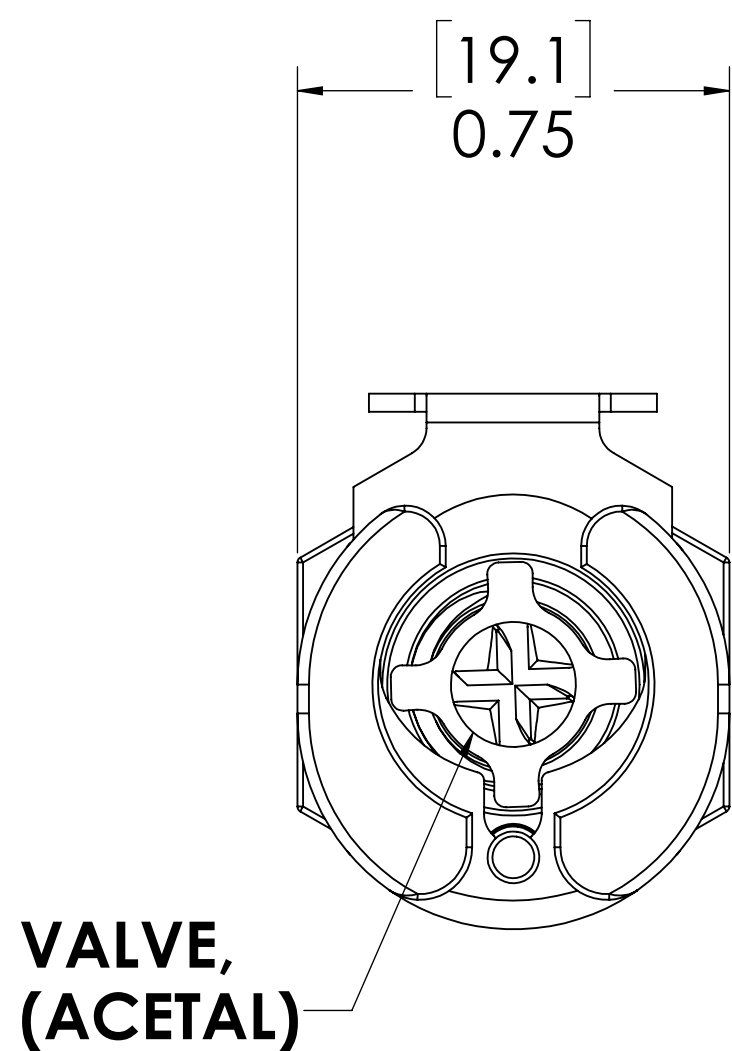
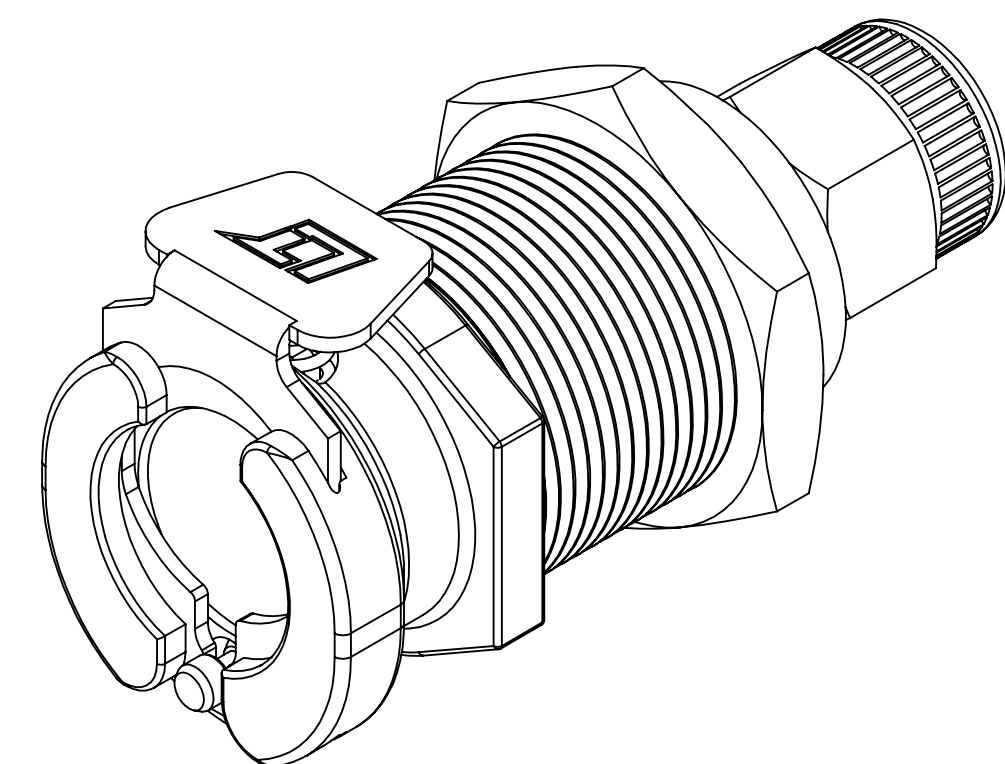
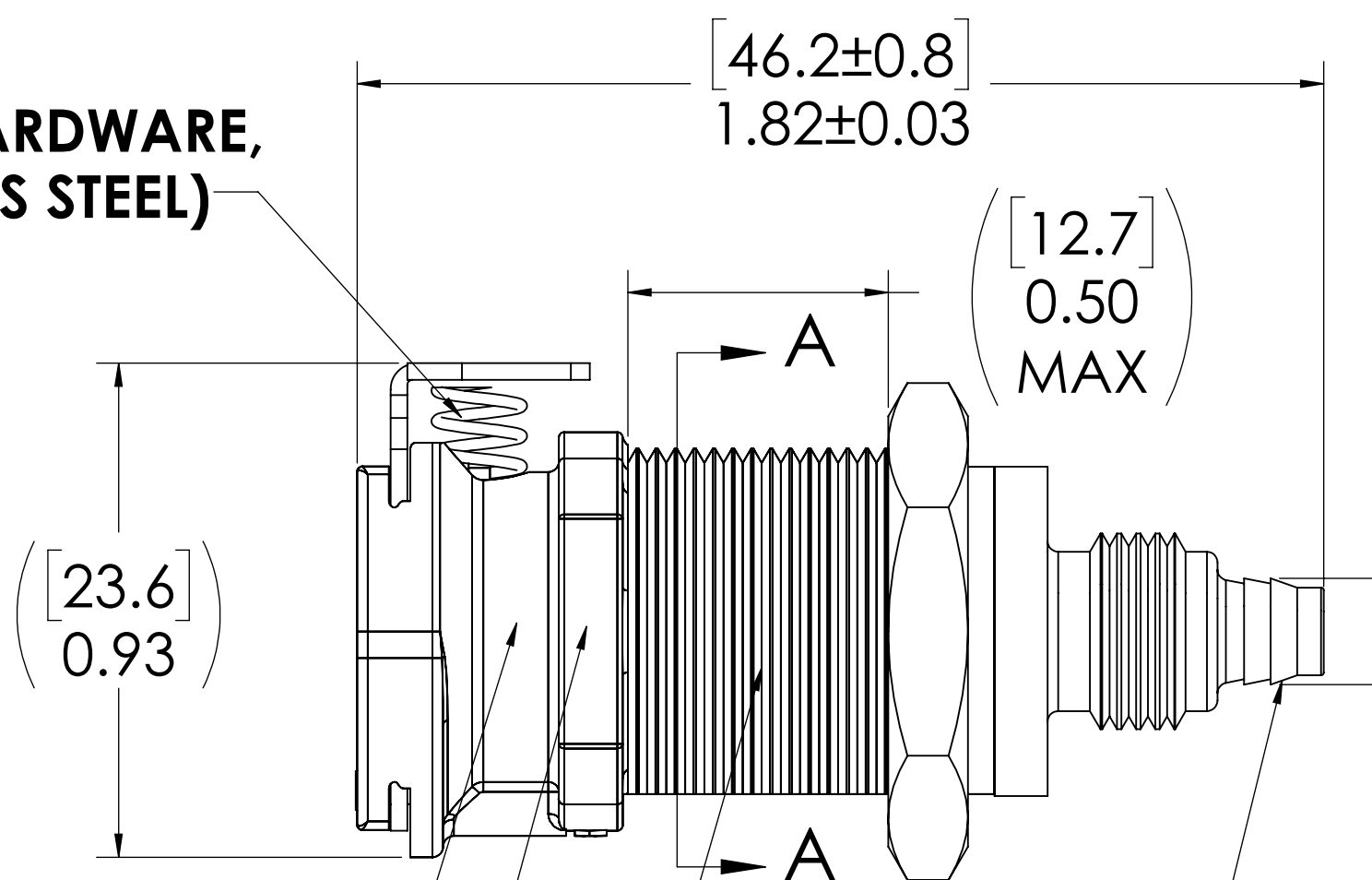


REVISIONS						
SHEET	ZONE	REV.	ECO	DESCRIPTION	DATE	APPROVED
1	ALL	B	50242	PIN, PIN SPRING AND FORMAT UPDATE	11/1/2017	HRC



LATCH HARDWARE, (STAINLESS STEEL)



VALVE, (ACETAL)

VALVE SPRING, (STAINLESS STEEL)

INTERNAL O-RING, (BUNA-N)

11/16"-24 UNEF THREAD

PTF NUT (PACKAGED SEPARATELY)

1/4" TUBE OD

PANEL NUT, (BRASS, NICKEL PLATED) (PACKAGED SEPARATELY)

PANEL OPENING (SECTION A-A)

NOTES:

- MATERIAL: ACETAL
- COLOR: NATURAL WHITE
- O-RING MATERIAL: BUNA-N
- O-RINGS LUBRICATED WITH FOOD GRADE SILICONE OIL, 350 CST.

FOR REFERENCE ONLY

UNLESS OTHERWISE SPECIFIED:		NAME	DATE	
DIMENSIONS ARE IN INCHES		DRAWN	RDA	
TOLERANCES:		CHECKED	HRC	8/18/2017
FRACTIONAL ±1/32		ENG APPR.	HRC	11-01-17
ANGULAR: MACH ±0.5 BEND ±2		MFG APPR.	BDB	11-01-17
ONE PLACE DECIMAL ±0.1		PURCHASING	RK	11-01-17
TWO PLACE DECIMAL ±0.01		COMMENTS:		
THREE PLACE DECIMAL ±0.005				
TWO PLACE DUAL (mm) [±0.12]				
PROPRIETARY AND CONFIDENTIAL				
THE INFORMATION CONTAINED IN THIS DRAWING IS THE SOLE PROPERTY OF LINKTECH LLC. ANY REPRODUCTION OR DISCLOSURE IN PART OR AS A WHOLE WITHOUT THE WRITTEN PERMISSION OF LINKTECH LLC IS STRICTLY PROHIBITED.				

PART NO:	40ACV-SB8-04
DESCRIPTION:	LinkTech 40AC Series Panel Mt. Female, Valved, 250 PTF, Natural Acetal
SIZE	DWG. NO.
C	40AC400113
REV	B
SCALE: NTS	WEIGHT:
	SHEET 1 OF 1